

HC-B 16-TMQ-76/M1PG21G - Housing

1771545

<https://www.phoenixcontact.com/us/products/1771545>

Please be informed that the data shown in this PDF document is generated from our online catalog. Please find the complete data in the user documentation. Our general terms of use for downloads are valid.



Sleeve housing, with double locking latch, height 76 mm, with screw connection, 1x Pg21, straight cable entry

Commercial data

Item number	1771545
Packing unit	1 pc
Note	Made to order (non-returnable)
Sales key	NULL
Product key	AF7AAC
GTIN	4017918036270
Weight per piece (including packing)	354.92 g
Weight per piece (excluding packing)	354.92 g
Customs tariff number	85389099
Country of origin	DE

HC-B 16-TMQ-76/M1PG21G - Housing

1771545

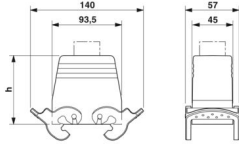
<https://www.phoenixcontact.com/us/products/1771545>

Technical data

Product properties

Product type	Housing with locking latch
Housing type	Sleeve housing
Application	Standard
Type	B16
No. of cable outlets	1
Type of the screw connection	1x Pg21
Shielded	no
Cable outlet	straight
Pg screw connection	with

Dimensions

Dimensional drawing	
Width	43 mm
Height	76 mm
Length	94 mm
Wrench size, union nut	28 mm

Material specifications

Material Screw connection	Brass, nickel-plated
Seal material Cable seal	NBR
Housing material	Die-cast aluminum
Housing surface material	Powder-coated, gray
Locking latch material	Stainless steel, handle: PA

Mechanical properties

Mechanical data

Type of the screw connection	1x Pg21
Locking type	Latch

Cable/line

External cable diameter Cable 1	10 mm ... 19 mm
---------------------------------	-----------------

Connection data

External cable diameter	10 mm ... 19 mm
-------------------------	-----------------

Environmental and real-life conditions

HC-B 16-TMQ-76/M1PG21G - Housing



1771545

<https://www.phoenixcontact.com/us/products/1771545>

Ambient conditions

Degree of protection	IP65
Ambient temperature (operation)	-40 °C ... 125 °C

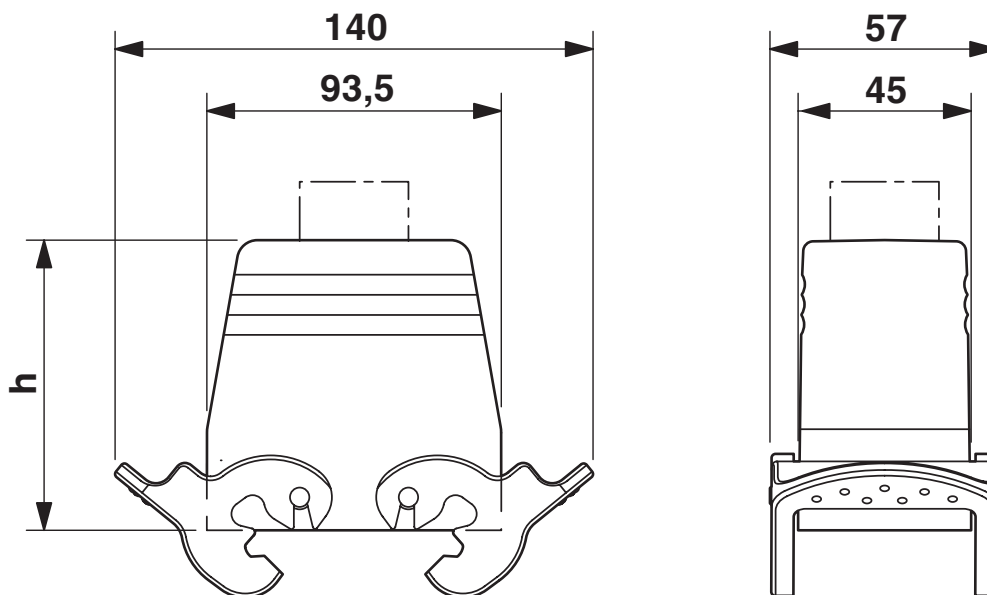
HC-B 16-TMQ-76/M1PG21G - Housing

1771545

<https://www.phoenixcontact.com/us/products/1771545>

Drawings

Dimensional drawing



HC-B 16-TMQ-76/M1PG21G - Housing



1771545

<https://www.phoenixcontact.com/us/products/1771545>

Classifications

ECLASS

ECLASS-13.0	27440202
ECLASS-15.0	27440202

HC-B 16-TMQ-76/M1PG21G - Housing



1771545

<https://www.phoenixcontact.com/us/products/1771545>

Environmental product compliance

China RoHS

Environment friendly use period (EFUP)	EFUP-50
	An article-related China RoHS declaration table can be found in the download area for the respective article under "Manufacturer declaration". For all articles with EFUP-E, no China RoHS declaration table issued and required.

EU REACH SVHC

REACH candidate substance (CAS No.)	No substance above 0.1 wt%
-------------------------------------	----------------------------

Phoenix Contact 2026 © - all rights reserved
<https://www.phoenixcontact.com>

Phoenix Contact USA
586 Fulling Mill Road
Middletown, PA 17057, United States
(+717) 944-1300
info@phoenixcon.com