

HC-B 10-AMLD - Housing

1771354

<https://www.phoenixcontact.com/us/products/1771354>

Please be informed that the data shown in this PDF document is generated from our online catalog. Please find the complete data in the user documentation. Our general terms of use for downloads are valid.



HEAVYCON B10 panel mounting base, with single locking latch, height: 29 mm, with plastic cover, with flat gasket

Commercial data

Item number	1771354
Packing unit	1 pc
Note	Made to order (non-returnable)
Sales key	BF55
Product key	AF7AAC
GTIN	4017918036089
Weight per piece (including packing)	138.6 g
Weight per piece (excluding packing)	138.6 g
Customs tariff number	85389099
Country of origin	DE

HC-B 10-AMLD - Housing

1771354

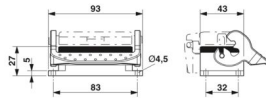
<https://www.phoenixcontact.com/us/products/1771354>

Technical data

Product properties

Product type	Housing with locking latch
Housing type	Panel mounting base
Application	Standard
Type	B10
Protective cover	yes
Shielded	no
Pg screw connection	none

Dimensions

Dimensional drawing	
Width	43 mm
Height	29 mm
Length	93 mm

Installation dimensions

Width of the assembly cutout	35 mm
Length of the assembly cutout	65 mm

Material specifications

Seal material	NBR CR
Housing material	Die-cast aluminum
Housing surface material	Powder-coated, gray
Material, protective cover	PA
Locking latch material	Stainless steel, handle: PA

Mechanical properties

Mechanical data

Locking type	Latch
--------------	-------

Connection data

Tightening torque	1.5 Nm ... 2 Nm (Mounting screw)
-------------------	----------------------------------

Environmental and real-life conditions

Ambient conditions

Degree of protection	IP65 (When plugged in)
----------------------	------------------------

HC-B 10-AMLD - Housing

1771354

<https://www.phoenixcontact.com/us/products/1771354>



	IP54 (with closed protective cover)
Ambient temperature (operation)	-40 °C ... 125 °C

HC-B 10-AMLD - Housing

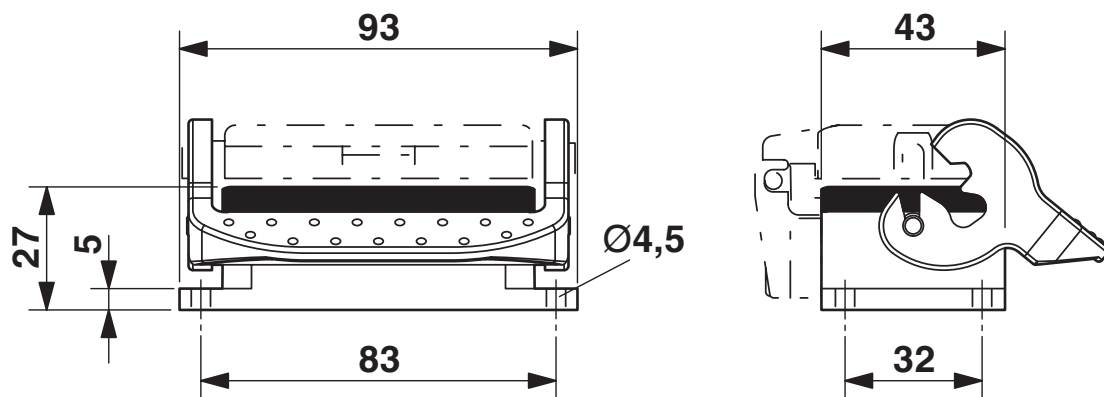
1771354

<https://www.phoenixcontact.com/us/products/1771354>



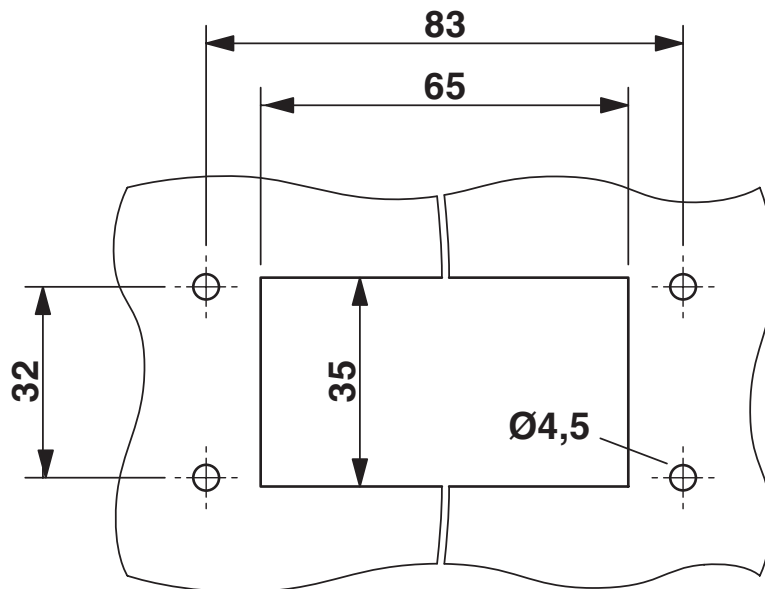
Drawings

Dimensional drawing



Dimensional drawing

Dimensional drawing



Mounting cutout

HC-B 10-AMLD - Housing

1771354

<https://www.phoenixcontact.com/us/products/1771354>



Classifications

ECLASS

ECLASS-13.0	27440202
ECLASS-15.0	27440202

UNSPSC

UNSPSC 21.0	31261501
-------------	----------

HC-B 10-AMLD - Housing



1771354

<https://www.phoenixcontact.com/us/products/1771354>

Environmental product compliance

China RoHS

Environment friendly use period (EFUP)	EFUP-E
	No hazardous substances above the limits

EU REACH SVHC

REACH candidate substance (CAS No.)	No substance above 0.1 wt%
-------------------------------------	----------------------------

Phoenix Contact 2026 © - all rights reserved
<https://www.phoenixcontact.com>

Phoenix Contact USA
586 Fulling Mill Road
Middletown, PA 17057, United States
(+717) 944-1300
info@phoenixcon.com