

# HC-B 10-TFQ-52/M1PG16S - Housing



1771244

<https://www.phoenixcontact.com/us/products/1771244>

Please be informed that the data shown in this PDF document is generated from our online catalog. Please find the complete data in the user documentation. Our general terms of use for downloads are valid.



Sleeve housing, for double locking latch, height 52 mm, with screw connection, 1x Pg16, lateral cable entry

## Commercial data

Item number	1771244
Packing unit	1 pc
Note	Made to order (non-returnable)
Sales key	NULL
Product key	AF7AAC
GTIN	4017918035983
Weight per piece (including packing)	149.85 g
Weight per piece (excluding packing)	149.85 g
Customs tariff number	85389099
Country of origin	DE

# HC-B 10-TFQ-52/M1PG16S - Housing

1771244

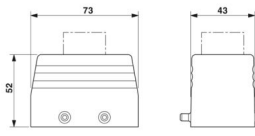
<https://www.phoenixcontact.com/us/products/1771244>

## Technical data

### Product properties

Product type	Housing with locking latch
Housing type	Sleeve housing
Application	Standard
Type	B10
No. of cable outlets	1
Type of the screw connection	1x Pg16
Shielded	no
Cable outlet	lateral
Pg screw connection	with

### Dimensions

Dimensional drawing	
Width	43 mm
Height	52 mm
Length	73 mm
Wrench size, union nut	22 mm

### Material specifications

Material Screw connection	Brass, nickel-plated
Seal material Cable seal	NBR
Housing material	Die-cast aluminum
Housing surface material	Powder-coated, gray

### Mechanical properties

#### Mechanical data

Type of the screw connection	1x Pg16
Locking type	Pin

### Cable/line

External cable diameter Cable 1	7.5 mm ... 15 mm
---------------------------------	------------------

### Connection data

External cable diameter	7.5 mm ... 15 mm
-------------------------	------------------

### Environmental and real-life conditions

#### Ambient conditions

# HC-B 10-TFQ-52/M1PG16S - Housing



1771244

<https://www.phoenixcontact.com/us/products/1771244>

Degree of protection	IP65
Ambient temperature (operation)	-40 °C ... 125 °C

# HC-B 10-TFQ-52/M1PG16S - Housing

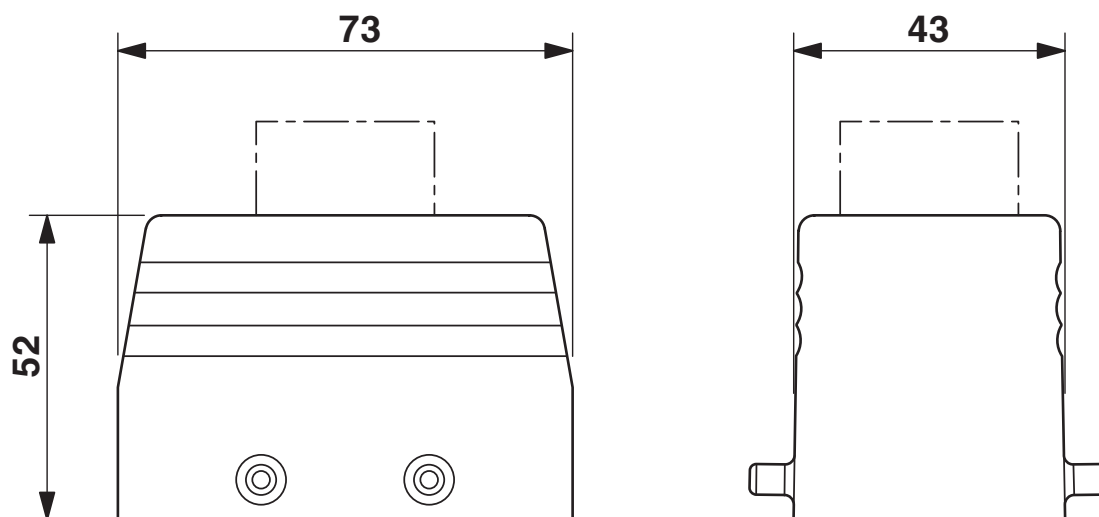


1771244

<https://www.phoenixcontact.com/us/products/1771244>

## Drawings

Dimensional drawing



# HC-B 10-TFQ-52/M1PG16S - Housing



1771244

<https://www.phoenixcontact.com/us/products/1771244>

## Classifications

### ECLASS

ECLASS-13.0	27440202
ECLASS-15.0	27440202

1771244

<https://www.phoenixcontact.com/us/products/1771244>

## Environmental product compliance

### China RoHS

Environment friendly use period (EFUP)	EFUP-50
	An article-related China RoHS declaration table can be found in the download area for the respective article under "Manufacturer declaration". For all articles with EFUP-E, no China RoHS declaration table issued and required.

### EU REACH SVHC

REACH candidate substance (CAS No.)	No substance above 0.1 wt%
-------------------------------------	----------------------------

Phoenix Contact 2026 © - all rights reserved  
<https://www.phoenixcontact.com>

Phoenix Contact USA  
586 Fulling Mill Road  
Middletown, PA 17057, United States  
(+717) 944-1300  
[info@phoenixcon.com](mailto:info@phoenixcon.com)