

# HC-B 6-AMLD - Housing

1771147

<https://www.phoenixcontact.com/us/products/1771147>

Please be informed that the data shown in this PDF document is generated from our online catalog. Please find the complete data in the user documentation. Our general terms of use for downloads are valid.



HEAVYCON B6 panel mounting base, with single locking latch, height: 29 mm, with plastic cover, with flat gasket

## Commercial data

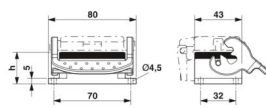
Item number	1771147
Packing unit	1 pc
Minimum order quantity	1 pc
Note	Made to order (non-returnable)
Sales key	BF55
Product key	AF7AAC
GTIN	4017918035884
Weight per piece (including packing)	119.4 g
Weight per piece (excluding packing)	119.4 g
Customs tariff number	85389099
Country of origin	DE

## Technical data

### Product properties

Product type	Housing with locking latch
Housing type	Panel mounting base
Application	Standard
Type	B6
Protective cover	yes
Shielded	no
Pg screw connection	none

### Dimensions

Dimensional drawing	
Width	43 mm
Height	29 mm
Length	80 mm

### Installation dimensions

Width of the assembly cutout	35 mm
Length of the assembly cutout	52 mm

### Material specifications

Seal material	NBR CR
Housing material	Die-cast aluminum
Housing surface material	Powder-coated, gray
Material, protective cover	PA
Locking latch material	Stainless steel, handle: PA

### Mechanical properties

#### Mechanical data

Locking type	Latch
--------------	-------

### Connection data

Tightening torque	1.5 Nm ... 2 Nm (Mounting screw)
-------------------	----------------------------------

### Environmental and real-life conditions

#### Ambient conditions

Degree of protection	IP65 (When plugged in)
----------------------	------------------------

# HC-B 6-AMLD - Housing

1771147

<https://www.phoenixcontact.com/us/products/1771147>



	IP54 (with closed protective cover)
Ambient temperature (operation)	-40 °C ... 125 °C

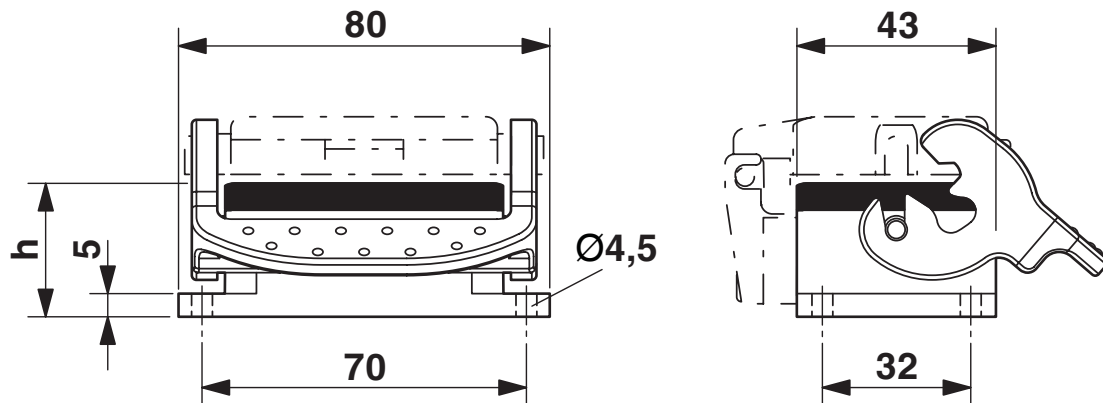
# HC-B 6-AMLD - Housing

1771147

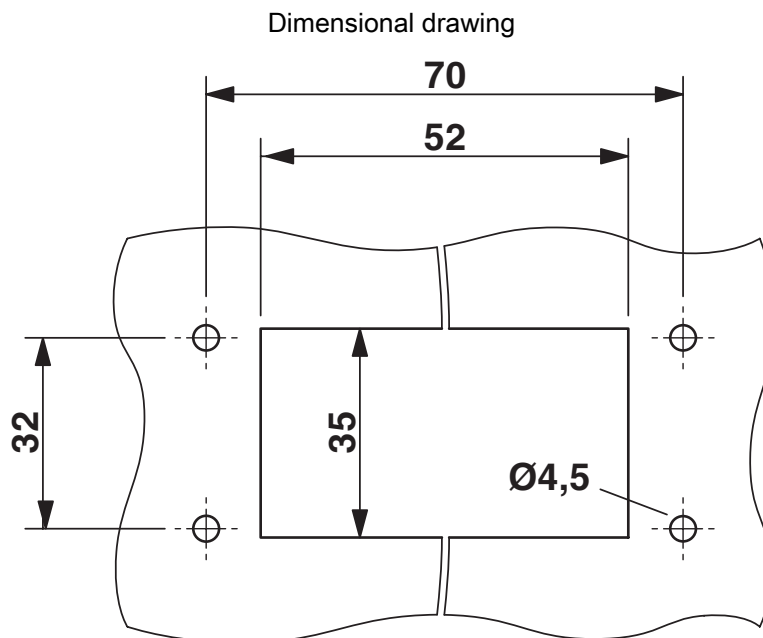
<https://www.phoenixcontact.com/us/products/1771147>

## Drawings

Dimensional drawing



Dimensional drawing



Mounting cutout

# HC-B 6-AMLD - Housing



1771147

<https://www.phoenixcontact.com/us/products/1771147>

## Classifications

### ECLASS

ECLASS-13.0	27440202
ECLASS-15.0	27440202

### UNSPSC

UNSPSC 21.0	31261501
-------------	----------

# HC-B 6-AMLD - Housing



1771147

<https://www.phoenixcontact.com/us/products/1771147>

## Environmental product compliance

### China RoHS

Environment friendly use period (EFUP)	EFUP-E
	No hazardous substances above the limits

### EU REACH SVHC

REACH candidate substance (CAS No.)	No substance above 0.1 wt%
-------------------------------------	----------------------------

Phoenix Contact 2026 © - all rights reserved  
<https://www.phoenixcontact.com>

Phoenix Contact USA  
586 Fulling Mill Road  
Middletown, PA 17057, United States  
(+717) 944-1300  
[info@phoenixcon.com](mailto:info@phoenixcon.com)