

MSTB-BF - Accessories

1759981

<https://www.phoenixcontact.com/us/products/1759981>

Please be informed that the data shown in this PDF document is generated from our online catalog. Please find the complete data in the user documentation. Our general terms of use for downloads are valid.



Mounting flange, for fixing both ends of the header onto the PCB, green insulating material, with M 2 x 14 screws and nuts.

Commercial data

Item number	1759981
Packing unit	50 pc
Minimum order quantity	50 pc
Sales key	AA18
Product key	AARZZA
GTIN	4017918030773
Weight per piece (including packing)	1.03 g
Weight per piece (excluding packing)	0.987 g
Customs tariff number	85369010
Country of origin	DE

MSTB-BF - Accessories



1759981

<https://www.phoenixcontact.com/us/products/1759981>

Technical data

Product properties

Product type	Flange
Product family	Accessories
Number of positions	1
Pitch	0 mm

Dimensions

Pitch	-
-------	---

Material specifications

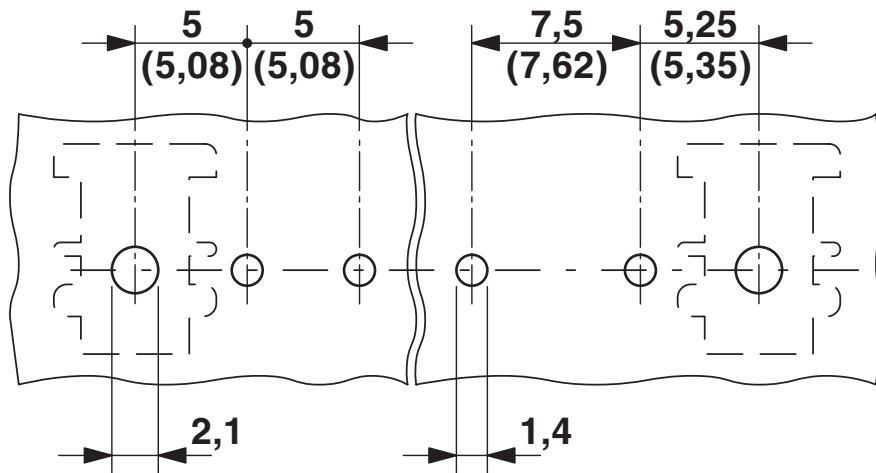
Color (Housing)	green (RAL 6021)
-----------------	------------------

1759981

<https://www.phoenixcontact.com/us/products/1759981>

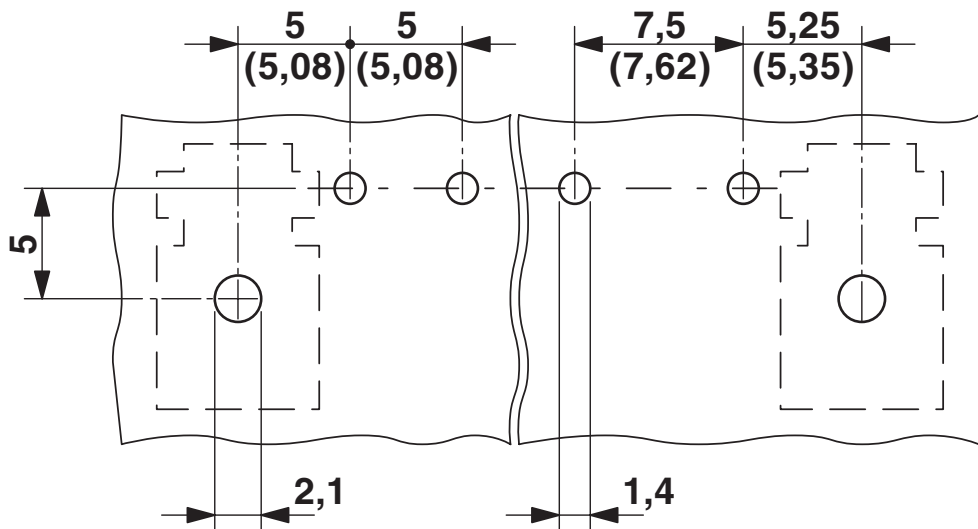
Drawings

Drilling plan/solder pad geometry



Vertically positioned header

Drilling plan/solder pad geometry



Horizontally positioned header

MSTB-BF - Accessories



1759981

<https://www.phoenixcontact.com/us/products/1759981>

Classifications

ECLASS

ECLASS-15.0	27460405
ECLASS-13.0	27460405

ETIM

ETIM 10.0	EC002943
-----------	----------

UNSPSC

UNSPSC 21.0	39121400
-------------	----------

MSTB-BF - Accessories



1759981

<https://www.phoenixcontact.com/us/products/1759981>

Environmental product compliance

EU RoHS

Fulfills EU RoHS substance requirements	Yes, No exemptions
---	--------------------

China RoHS

Environment friendly use period (EFUP)	EFUP-E
	No hazardous substances above the limits

EU REACH SVHC

REACH candidate substance (CAS No.)	No substance above 0.1 wt%
-------------------------------------	----------------------------

EF3.1 Climate Change

CO2e kg	0.019 kg CO2e
---------	---------------

Phoenix Contact 2026 © - all rights reserved
<https://www.phoenixcontact.com>

Phoenix Contact USA
586 Fulling Mill Road
Middletown, PA 17057, United States
(+717) 944-1300
info@phoenixcon.com