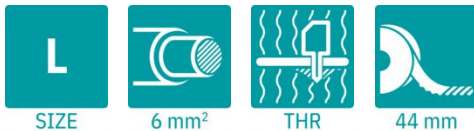


PC 5/ 3-G-7,62 P26 THT R44 - PCB header

1753857

<https://www.phoenixcontact.com/us/products/1753857>

Please be informed that the data shown in this PDF document is generated from our online catalog. Please find the complete data in the user documentation. Our general terms of use for downloads are valid.



The figure shows a 5-pos. version of the product in green

PCB headers, nominal cross section: 6 mm², color: green, nominal current: 32 A, rated voltage (III/2): 630 V, contact surface: Sn, contact connection type: Pin, number of rows: 1, number of positions: 3, product range: PC 5/...-G-THR, pitch: 7.62 mm, mounting: THR soldering / wave soldering, conductor/PCB connection direction: 0 °, pin layout: Linear pinning, solder pin [P]: 2.6 mm, number of solder pins per potential: 3, plug-in system: COMBICON PC 5, Pin connector pattern alignment: Standard, locking: without, mounting method: without, type of packaging: 44 mm wide tape, For user information and design recommendations for through-hole reflow technology, go to: Downloads

Your advantages

- Standard header – also suitable for connectors with automatically locking Click and Lock system
- Maximum flexibility when it comes to device design – one header for connectors with different connection technologies
- Designed for integration into the SMT soldering process

Commercial data

| | |
|--------------------------------------|---------------|
| Item number | 1753857 |
| Packing unit | 65 pc |
| Minimum order quantity | 65 pc |
| Product key | AADTCA |
| GTIN | 4046356446471 |
| Weight per piece (including packing) | 15.49 g |
| Weight per piece (excluding packing) | 6.8 g |
| Country of origin | DE |

PC 5/ 3-G-7,62 P26 THT R44 - PCB header



1753857

<https://www.phoenixcontact.com/us/products/1753857>

Technical data

Product properties

| | |
|---------------------------|-----------------------|
| Product type | PCB headers |
| Product family | PC 5/...-G-THR |
| Product line | COMBICON Connectors L |
| Number of positions | 3 |
| Pitch | 7.62 mm |
| Number of rows | 1 |
| Mounting type | without |
| Pin layout | Linear pinning |
| Solder pins per potential | 3 |

Electrical properties

Properties

| | |
|-----------------------------|-------|
| Nominal current I_N | 32 A |
| Nominal voltage U_N | 630 V |
| Rated voltage (III/3) | 500 V |
| Rated surge voltage (III/3) | 6 kV |
| Rated voltage (III/2) | 630 V |
| Rated surge voltage (III/2) | 6 kV |
| Rated voltage (II/2) | 800 V |
| Rated surge voltage (II/2) | 6 kV |

Mounting

| | |
|---------------|--------------------------------|
| Mounting type | THR soldering / wave soldering |
| Pin layout | Linear pinning |

Processing notes

| | |
|----------------------------------|-----------------------|
| Process | Reflow/wave soldering |
| Moisture Sensitive Level | MSL 3 |
| Classification temperature T_c | 245 °C |
| Solder cycles in the reflow | 3 |

Material specifications

Material data - contact

| | |
|--|--|
| Note | WEEE/RoHS-compliant, free of whiskers according to IEC 60068-2-82/JEDEC JESD 201 |
| Contact material | Cu alloy |
| Surface characteristics | hot-dip tin-plated |
| Metal surface contact area (top layer) | Tin (4 μ m - 8 μ m Sn) |
| Metal surface soldering area (top layer) | Tin (4 μ m - 8 μ m Sn) |

Material data - housing

PC 5/ 3-G-7,62 P26 THT R44 - PCB header

1753857

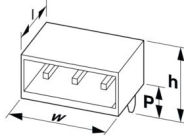
<https://www.phoenixcontact.com/us/products/1753857>

| | |
|--|--------------|
| Color (Housing) | green (6021) |
| Insulating material | PA GF |
| Insulating material group | IIIa |
| CTI according to IEC 60112 | 250 |
| Flammability rating according to UL 94 | V0 |

Notes

| | |
|--------------------|--|
| Notes on operation | In accordance with IEC 61984, COMBICON connectors have no switching power (COC). During designated use, they must not be plugged in or disconnected when carrying voltage or under load. |
|--------------------|--|

Dimensions

| | |
|-----------------------|--|
| Dimensional drawing |  |
| Pitch | 7.62 mm |
| Width [w] | 25.66 mm |
| Height [h] | 14.29 mm |
| Length [l] | 29.25 mm |
| Installed height | 14.29 mm |
| Solder pin length [P] | 2.6 mm |
| Pin dimensions | 0.8 x 1 mm |

PCB design

| | |
|---------------|---------|
| Pin spacing | 7.62 mm |
| Hole diameter | 1.3 mm |

Electrical tests

Air clearances and creepage distances |

| | |
|--|---------------------|
| Specification | IEC 60664-1:2007-04 |
| Insulating material group | IIIa |
| Comparative tracking index (IEC 60112) | CTI 250 |
| Rated insulation voltage (III/3) | 500 V |
| Rated surge voltage (III/3) | 6 kV |
| minimum clearance value - non-homogenous field (III/3) | 5.5 mm |
| minimum creepage distance (III/3) | 8 mm |
| Rated insulation voltage (III/2) | 630 V |
| Rated surge voltage (III/2) | 6 kV |
| minimum clearance value - non-homogenous field (III/2) | 5.5 mm |
| minimum creepage distance (III/2) | 6.3 mm |
| Rated insulation voltage (II/2) | 800 V |
| Rated surge voltage (II/2) | 6 kV |

PC 5/ 3-G-7,62 P26 THT R44 - PCB header



1753857

<https://www.phoenixcontact.com/us/products/1753857>

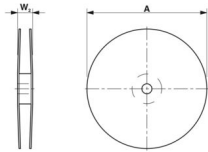
| | |
|---|--------|
| minimum clearance value - non-homogenous field (II/2) | 5.5 mm |
| minimum creepage distance (II/2) | 8 mm |

Environmental and real-life conditions

Ambient conditions

| | |
|---|---|
| Ambient temperature (storage/transport) | -40 °C ... 70 °C |
| Relative humidity (storage/transport) | 30 % ... 70 % |
| Ambient temperature (assembly) | -5 °C ... 100 °C |
| Ambient temperature (operation) | -40 °C ... 100 °C (dependent on the derating curve) |

Packaging specifications


| | |
|-----------------------------|--|
| Dimensional drawing |  |
| Type of packaging | 44 mm wide tape |
| [W] tape width | 44 mm |
| [W2] coil overall dimension | ≤ 50.4 mm |
| [A] coil diameter | ≤ 330 mm |
| Outer packaging type | Dry bag |


1753857

<https://www.phoenixcontact.com/us/products/1753857>

Approvals

To download certificates, visit the product detail page: <https://www.phoenixcontact.com/us/products/1753857>

|  cULus Recognized Approval ID: E60425-19920722 | | | | |
|---|-----------------------|-----------------------|-------------------|----------------------|
| | Nominal voltage U_N | Nominal current I_N | Cross section AWG | Cross section mm^2 |
| B | 300 V | 41 A | - | - |
| C | 150 V | 41 A | - | - |
| D | 600 V | 5 A | - | - |

|  UL Recognized Approval ID: E60425-19920722 | | | | |
|--|-----------------------|-----------------------|-------------------|----------------------|
| | Nominal voltage U_N | Nominal current I_N | Cross section AWG | Cross section mm^2 |
| F | 600 V | 41 A | - | - |

PC 5/ 3-G-7,62 P26 THT R44 - PCB header



1753857

<https://www.phoenixcontact.com/us/products/1753857>

Classifications

ECLASS

| | |
|-------------|----------|
| ECLASS-13.0 | 27460201 |
| ECLASS-15.0 | 27460201 |

ETIM

| | |
|-----------|----------|
| ETIM 10.0 | EC002637 |
|-----------|----------|

UNSPSC

| | |
|-------------|----------|
| UNSPSC 21.0 | 39121400 |
|-------------|----------|

PC 5/ 3-G-7,62 P26 THT R44 - PCB header



1753857

<https://www.phoenixcontact.com/us/products/1753857>

Environmental product compliance

EU RoHS

| | |
|---|--------------------|
| Fulfills EU RoHS substance requirements | Yes, No exemptions |
|---|--------------------|

China RoHS

| | |
|--|--|
| Environment friendly use period (EFUP) | EFUP-E |
| | No hazardous substances above the limits |

EU REACH SVHC

| | |
|-------------------------------------|----------------------------|
| REACH candidate substance (CAS No.) | No substance above 0.1 wt% |
|-------------------------------------|----------------------------|

Phoenix Contact 2026 © - all rights reserved
<https://www.phoenixcontact.com>

Phoenix Contact USA
586 Fulling Mill Road
Middletown, PA 17057, United States
(+717) 944-1300
info@phoenixcon.com