

ST-MKDSP 3/5 - Test plug

1718207

<https://www.phoenixcontact.com/us/products/1718207>



Please be informed that the data shown in this PDF document is generated from our online catalog. Please find the complete data in the user documentation. Our general terms of use for downloads are valid.

Test plug terminal block, color: black, product range: Test plug, width: 10 mm



Commercial data

Item number	1718207
Packing unit	10 pc
Minimum order quantity	10 pc
Note	Made to order (non-returnable)
Sales key	AA18
Product key	AARZFA
GTIN	4017918024819
Weight per piece (including packing)	14.11 g
Weight per piece (excluding packing)	11.376 g
Customs tariff number	85366990
Country of origin	DE

ST-MKDSP 3/5 - Test plug

1718207

<https://www.phoenixcontact.com/us/products/1718207>

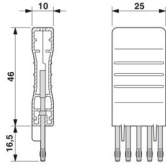


Technical data

Product properties

Product type	Test plug terminal block
Product family	Test plug
Number of positions	1
Pitch	0 mm

Dimensions

Dimensional drawing	
Width	10 mm
Height	25 mm
Length	62.5 mm
Pitch	-

Material specifications

Color (Housing)	black (RAL 9005)
-----------------	------------------

ST-MKDSP 3/5 - Test plug

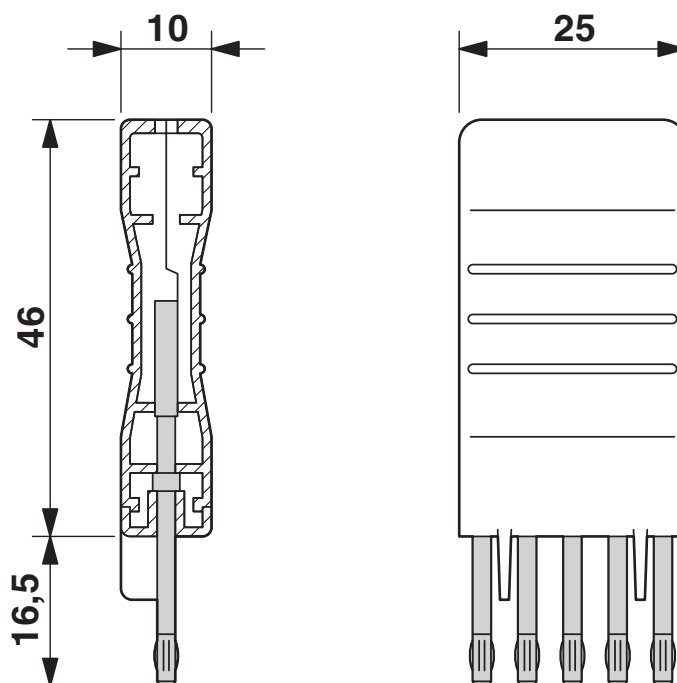
1718207

<https://www.phoenixcontact.com/us/products/1718207>



Drawings

Dimensional drawing



ST-MKDSP 3/5 - Test plug

1718207

<https://www.phoenixcontact.com/us/products/1718207>



Classifications

ECLASS

ECLASS-13.0	27440313
ECLASS-15.0	27440313

ETIM

ETIM 10.0	EC002255
-----------	----------

UNSPSC

UNSPSC 21.0	20122000
-------------	----------

1718207

<https://www.phoenixcontact.com/us/products/1718207>

Environmental product compliance

EU RoHS

Fulfills EU RoHS substance requirements	Yes
Exemption	6(c)

China RoHS

Environment friendly use period (EFUP)	EFUP-50
	An article-related China RoHS declaration table can be found in the download area for the respective article under "Manufacturer declaration". For all articles with EFUP-E, no China RoHS declaration table issued and required.

EU REACH SVHC

REACH candidate substance (CAS No.)	Lead(CAS: 7439-92-1)
SCIP	3d4d718d-8e67-4538-8a7e-638515dea69e

Phoenix Contact 2026 © - all rights reserved

<https://www.phoenixcontact.com>

Phoenix Contact USA
586 Fulling Mill Road
Middletown, PA 17057, United States
(+717) 944-1300
info@phoenixcon.com