

# TVFKC 1,5/ 2-ST-RDBCP1BD-M1SO - PCB connector



1715134

<https://www.phoenixcontact.com/us/products/1715134>

Please be informed that the data shown in this PDF document is generated from our online catalog. Please find the complete data in the user documentation. Our general terms of use for downloads are valid.



The figure shows a 10-position version of the product

PCB TWIN plug, nominal cross section: 1.5 mm<sup>2</sup>, color: green, nominal current: 10 A, rated voltage (III/2): 320 V, contact surface: Sn, contact connection type: Socket, number of rows: 1, number of positions: 2, product range: TVFKC 1,5/...-ST, pitch: 5 mm, connection method: Push-in spring connection, conductor/PCB connection direction: 0 °, locking clip: RDB Locking clip in doubled width, plug-in system: COMBICON MSTB 2,5, locking: without, mounting method: without, type of packaging: packed in cardboard

## Your advantages

- Time saving push-in connection, tools not required
- Defined contact force ensures that contact remains stable over the long term
- Intuitive operation due to color-coded actuating push button
- Can be combined with the MSTB 2,5 range

## Commercial data

|                                      |               |
|--------------------------------------|---------------|
| Item number                          | 1715134       |
| Packing unit                         | 50 pc         |
| Minimum order quantity               | 500 pc        |
| Product key                          | AACFNA        |
| GTIN                                 | 4055626388533 |
| Weight per piece (including packing) | 3.269 g       |
| Weight per piece (excluding packing) | 2.92 g        |
| Country of origin                    | GR            |

1715134

<https://www.phoenixcontact.com/us/products/1715134>

## Technical data

### Product properties

|                     |                       |
|---------------------|-----------------------|
| Product type        | PCB TWIN plug         |
| Product family      | TVFKC 1,5/...-ST      |
| Product line        | COMBICON Connectors M |
| Number of positions | 2                     |
| Pitch               | 5 mm                  |
| Number of rows      | 1                     |

### Electrical properties

#### Properties

|                             |                |
|-----------------------------|----------------|
| Nominal current $I_N$       | 10 A           |
| Nominal voltage $U_N$       | 320 V          |
| Contact resistance          | 1.3 m $\Omega$ |
| Rated voltage (III/3)       | 250 V          |
| Rated surge voltage (III/3) | 4 kV           |
| Rated voltage (III/2)       | 320 V          |
| Rated surge voltage (III/2) | 4 kV           |
| Rated voltage (II/2)        | 630 V          |
| Rated surge voltage (II/2)  | 4 kV           |

### Connection data

#### Connection technology

|                         |                     |
|-------------------------|---------------------|
| Connector system        | COMBICON MSTB 2,5   |
| Nominal cross section   | 1.5 mm <sup>2</sup> |
| Contact connection type | Socket              |

#### Interlock

|               |         |
|---------------|---------|
| Locking type  | without |
| Mounting type | without |

#### Conductor connection

|                                                                         |                                                                              |
|-------------------------------------------------------------------------|------------------------------------------------------------------------------|
| Connection method                                                       | Push-in spring connection                                                    |
| Conductor/PCB connection direction                                      | 0 °                                                                          |
| Conductor cross-section rigid                                           | 0.2 mm <sup>2</sup> ... 1.5 mm <sup>2</sup>                                  |
| Conductor cross-section flexible                                        | 0.2 mm <sup>2</sup> ... 1.5 mm <sup>2</sup>                                  |
| Conductor cross-section AWG                                             | 24 ... 16                                                                    |
| Conductor cross-section, flexible, with ferrule, without plastic sleeve | 0.25 mm <sup>2</sup> ... 1.5 mm <sup>2</sup> (only together with CRIMPFOX 6) |
| Conductor cross-section, flexible, with ferrule, with plastic sleeve    | 0.25 mm <sup>2</sup> ... 1.5 mm <sup>2</sup> (only together with CRIMPFOX 6) |
| Cylindrical gauge a x b / diameter                                      | 2.4 mm x 1.5 mm / 1.9 mm                                                     |
| Stripping length                                                        | 8 mm                                                                         |

# TVFKC 1,5/ 2-ST-RDBCP1BD-M1SO - PCB connector



1715134

<https://www.phoenixcontact.com/us/products/1715134>

## Specifications for ferrules without insulating collar

|                           |                    |
|---------------------------|--------------------|
| recommended crimping tool | 1212034 CRIMPFOX 6 |
|---------------------------|--------------------|

## Specifications for ferrules with insulating collar

|                           |                    |
|---------------------------|--------------------|
| recommended crimping tool | 1212034 CRIMPFOX 6 |
|---------------------------|--------------------|

## Material specifications

### Material data - contact

|                                          |                                                                                  |
|------------------------------------------|----------------------------------------------------------------------------------|
| Note                                     | WEEE/RoHS-compliant, free of whiskers according to IEC 60068-2-82/JEDEC JESD 201 |
| Contact material                         | Cu alloy                                                                         |
| Surface characteristics                  | hot-dip tin-plated                                                               |
| Metal surface terminal point (top layer) | Tin (4 µm - 8 µm Sn)                                                             |
| Metal surface contact area (top layer)   | Tin (4 µm - 8 µm Sn)                                                             |

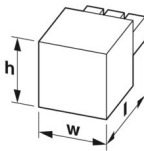
### Material data - housing

|                                                                   |              |
|-------------------------------------------------------------------|--------------|
| Color (Housing)                                                   | green (6021) |
| Insulating material                                               | PA           |
| Insulating material group                                         | I            |
| CTI according to IEC 60112                                        | 600          |
| Flammability rating according to UL 94                            | V0           |
| Glow wire flammability index GWFI according to EN 60695-2-12      | 850          |
| Glow wire ignition temperature GWIT according to EN 60695-2-13    | 775          |
| Temperature for the ball pressure test according to EN 60695-10-2 | 125 °C       |

### Material data – actuating element

|                                        |               |
|----------------------------------------|---------------|
| Color (Actuating element)              | orange (2003) |
| Insulating material                    | PA            |
| Insulating material group              | I             |
| CTI according to IEC 60112             | 600           |
| Flammability rating according to UL 94 | V0            |

## Dimensions

|                     |                                                                                      |
|---------------------|--------------------------------------------------------------------------------------|
| Dimensional drawing |  |
| Pitch               | 5 mm                                                                                 |
| Width [w]           | 10 mm                                                                                |
| Height [h]          | 15 mm                                                                                |
| Length [l]          | 23.3 mm                                                                              |

1715134

<https://www.phoenixcontact.com/us/products/1715134>

## Notes

|         |                                                                                                                                                                                          |
|---------|------------------------------------------------------------------------------------------------------------------------------------------------------------------------------------------|
| General | In accordance with IEC 61984, COMBICON connectors have no switching power (COC). During designated use, they must not be plugged in or disconnected when carrying voltage or under load. |
|---------|------------------------------------------------------------------------------------------------------------------------------------------------------------------------------------------|

## Mechanical tests

## Conductor connection

|               |                     |
|---------------|---------------------|
| Specification | IEC 60999-1:1999-11 |
| Result        | Test passed         |

## Test for conductor damage and slackening

|               |                     |
|---------------|---------------------|
| Specification | IEC 60999-1:1999-11 |
| Result        | Test passed         |

## Repeated connection and disconnection

|               |                     |
|---------------|---------------------|
| Specification | IEC 60999-1:1999-11 |
| Result        | Test passed         |

## Pull-out test

|                                                                             |                                         |
|-----------------------------------------------------------------------------|-----------------------------------------|
| Specification                                                               | IEC 60999-1:1999-11                     |
| Conductor cross-section/conductor type/tractive force setpoint/actual value | 0.2 mm <sup>2</sup> / solid / > 10 N    |
|                                                                             | 0.2 mm <sup>2</sup> / flexible / > 10 N |
|                                                                             | 1.5 mm <sup>2</sup> / solid / > 40 N    |
|                                                                             | 1.5 mm <sup>2</sup> / flexible / > 40 N |

## Insertion and withdrawal forces

|                                     |                        |
|-------------------------------------|------------------------|
| Specification                       | IEC 60512-13-2:2006-02 |
| Result                              | Test passed            |
| No. of cycles                       | 25                     |
| Insertion strength per pos. approx. | 12 N                   |
| Withdraw strength per pos. approx.  | 10 N                   |

## Resistance of inscriptions

|               |                        |
|---------------|------------------------|
| Specification | IEC 60068-2-70:1995-12 |
| Result        | Test passed            |

## Polarization and coding

|               |                        |
|---------------|------------------------|
| Specification | IEC 60512-13-5:2006-02 |
| Result        | Test passed            |

## Visual inspection

|               |                       |
|---------------|-----------------------|
| Specification | IEC 60512-1-1:2002-02 |
| Result        | Test passed           |

## Dimension check

|               |                       |
|---------------|-----------------------|
| Specification | IEC 60512-1-2:2002-02 |
| Result        | Test passed           |

1715134

<https://www.phoenixcontact.com/us/products/1715134>

## Environmental and real-life conditions

### Durability test

|                                              |                       |
|----------------------------------------------|-----------------------|
| Specification                                | IEC 60512-9-1:2010-03 |
| Impulse withstand voltage at sea level       | 4.8 kV                |
| Contact resistance $R_1$                     | 1.3 m $\Omega$        |
| Contact resistance $R_2$                     | 1.4 m $\Omega$        |
| Insertion/withdrawal cycles                  | 25                    |
| Insulation resistance, neighboring positions | > 5 M $\Omega$        |

### Climatic test

|                                   |                                                                           |
|-----------------------------------|---------------------------------------------------------------------------|
| Specification                     | ISO 6988:1985-02                                                          |
| Corrosive stress                  | 0.2 dm <sup>3</sup> SO <sub>2</sub> on 300 dm <sup>3</sup> /40 °C/1 cycle |
| Thermal stress                    | 105 °C/168 h                                                              |
| Power-frequency withstand voltage | 2.21 kV                                                                   |

### Vibration test

|                        |                             |
|------------------------|-----------------------------|
| Specification          | IEC 60068-2-6:2007-12       |
| Frequency              | 10 - 150 - 10 Hz            |
| Sweep speed            | 1 octave/min                |
| Amplitude              | 0.35 mm (10 Hz ... 60.1 Hz) |
| Acceleration           | 5g (60.1 Hz ... 150 Hz)     |
| Test duration per axis | 2.5 h                       |
| Test directions        | X-, Y- and Z-axis           |

### Ambient conditions

|                                         |                                                     |
|-----------------------------------------|-----------------------------------------------------|
| Ambient temperature (storage/transport) | -40 °C ... 70 °C                                    |
| Relative humidity (storage/transport)   | 30 % ... 70 %                                       |
| Ambient temperature (assembly)          | -5 °C ... 100 °C                                    |
| Ambient temperature (operation)         | -40 °C ... 105 °C (dependent on the derating curve) |

### Ambient conditions

|                                         |                                                     |
|-----------------------------------------|-----------------------------------------------------|
| Ambient temperature (operation)         | -40 °C ... 105 °C (dependent on the derating curve) |
| Ambient temperature (storage/transport) | -40 °C ... 70 °C                                    |
| Relative humidity (storage/transport)   | 30 % ... 70 %                                       |
| Ambient temperature (assembly)          | -5 °C ... 100 °C                                    |

## Electrical tests

### Thermal test | Test group C

|                            |                       |
|----------------------------|-----------------------|
| Specification              | IEC 60512-5-1:2002-02 |
| Tested number of positions | 10                    |

### Insulation resistance

|                                              |                       |
|----------------------------------------------|-----------------------|
| Specification                                | IEC 60512-3-1:2002-02 |
| Insulation resistance, neighboring positions | > 5 M $\Omega$        |

# TVFKC 1,5/ 2-ST-RDBCP1BD-M1SO - PCB connector



1715134

<https://www.phoenixcontact.com/us/products/1715134>

## Air clearances and creepage distances |

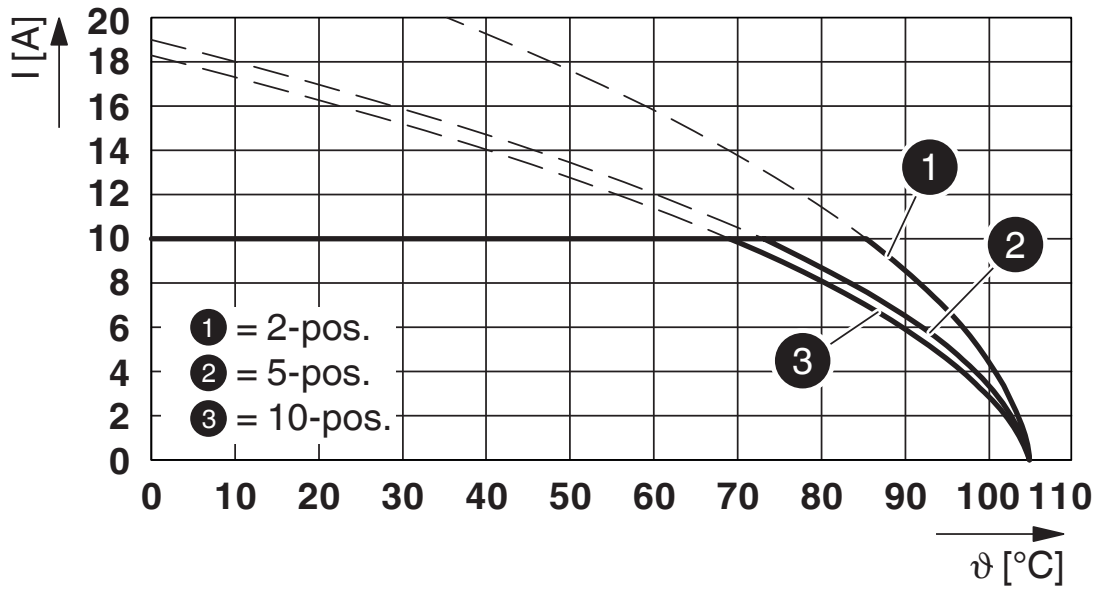
|                                                        |                     |
|--------------------------------------------------------|---------------------|
| Specification                                          | IEC 60664-1:2007-04 |
| Insulating material group                              | I                   |
| Comparative tracking index (IEC 60112)                 | CTI 600             |
| Rated insulation voltage (III/3)                       | 250 V               |
| Rated surge voltage (III/3)                            | 4 kV                |
| minimum clearance value - non-homogenous field (III/3) | 3 mm                |
| minimum creepage distance (III/3)                      | 3.2 mm              |
| Rated insulation voltage (III/2)                       | 320 V               |
| Rated surge voltage (III/2)                            | 4 kV                |
| minimum clearance value - non-homogenous field (III/2) | 3 mm                |
| minimum creepage distance (III/2)                      | 3 mm                |
| Rated insulation voltage (II/2)                        | 630 V               |
| Rated surge voltage (II/2)                             | 4 kV                |
| minimum clearance value - non-homogenous field (II/2)  | 3 mm                |
| minimum creepage distance (II/2)                       | 3.2 mm              |

## Packaging specifications

|                   |                     |
|-------------------|---------------------|
| Type of packaging | packed in cardboard |
|-------------------|---------------------|

Drawings

Diagram



Type: TVFKC 1,5/...-ST RDB ... with MSTB 2,5/...-G

# TVFKC 1,5/ 2-ST-RDBCP1BD-M1SO - PCB connector




1715134

<https://www.phoenixcontact.com/us/products/1715134>

## Approvals

☞ To download certificates, visit the product detail page: <https://www.phoenixcontact.com/us/products/1715134>

|  <b>cULus Recognized</b><br>Approval ID: E60425-19931011 |       | Nominal voltage $U_N$ | Nominal current $I_N$ | Cross section AWG | Cross section $\text{mm}^2$ |
|-------------------------------------------------------------------------------------------------------------------------------------------|-------|-----------------------|-----------------------|-------------------|-----------------------------|
| <b>B</b>                                                                                                                                  |       |                       |                       |                   |                             |
| Only rigid conductors                                                                                                                     | 300 V | 10 A                  | 24 - 16               | -                 |                             |
| Standard                                                                                                                                  | 300 V | 8 A                   | 24 - 16               | -                 |                             |
| <b>D</b>                                                                                                                                  |       |                       |                       |                   |                             |
| Only rigid conductors                                                                                                                     | 300 V | 10 A                  | 24 - 16               | -                 |                             |
| Alternative 1                                                                                                                             | 300 V | 8 A                   | 24 - 16               | -                 |                             |

1715134

<https://www.phoenixcontact.com/us/products/1715134>

## Classifications

### ECLASS

|             |          |
|-------------|----------|
| ECLASS-13.0 | 27460202 |
| ECLASS-15.0 | 27460202 |

### ETIM

|           |          |
|-----------|----------|
| ETIM 10.0 | EC002638 |
|-----------|----------|

### UNSPSC

|             |          |
|-------------|----------|
| UNSPSC 21.0 | 39121400 |
|-------------|----------|

# TVFKC 1,5/ 2-ST-RDBCP1BD-M1SO - PCB connector



1715134

<https://www.phoenixcontact.com/us/products/1715134>

## Environmental product compliance

### EU RoHS

|                                         |                    |
|-----------------------------------------|--------------------|
| Fulfills EU RoHS substance requirements | Yes, No exemptions |
|-----------------------------------------|--------------------|

### China RoHS

|                                        |                                          |
|----------------------------------------|------------------------------------------|
| Environment friendly use period (EFUP) | EFUP-E                                   |
|                                        | No hazardous substances above the limits |

### EU REACH SVHC

|                                     |                            |
|-------------------------------------|----------------------------|
| REACH candidate substance (CAS No.) | No substance above 0.1 wt% |
|-------------------------------------|----------------------------|

### EF3.1 Climate Change

|         |               |
|---------|---------------|
| CO2e kg | 0.049 kg CO2e |
|---------|---------------|

Phoenix Contact 2026 © - all rights reserved  
<https://www.phoenixcontact.com>

Phoenix Contact USA  
586 Fulling Mill Road  
Middletown, PA 17057, United States  
(+717) 944-1300  
[info@phoenixcon.com](mailto:info@phoenixcon.com)