

SAMPLE PTSM 0,5 PI/PL-4 SET - Connector set



1714624

<https://www.phoenixcontact.com/us/products/1714624>

Please be informed that the data shown in this PDF document is generated from our online catalog. Please find the complete data in the user documentation. Our general terms of use for downloads are valid.



Sample set, product range: SET

Your advantages

- White design: Stable color when welding and during use
- Time saving push-in connection, tools not required
- Defined contact force ensures that contact remains stable over the long term
- High current carrying capacity of 6 A in very compact dimensions
- Inverted connector with pin contacts for touch-proof device outputs or free-hanging cable/cable connections
- Intuitive locking mechanism prevents accidental disconnection

Commercial data

Item number	1714624
Packing unit	1 pc
Minimum order quantity	1 pc
Product key	AAHGAD
GTIN	4055626379210
Weight per piece (including packing)	4.5 g
Weight per piece (excluding packing)	4.3 g
Country of origin	GR

SAMPLE PTSM 0,5 PI/PL-4 SET - Connector set

1714624

<https://www.phoenixcontact.com/us/products/1714624>

Set consists of

PTSM 0,5/ 4-PI-2,5 WH - PCB connector

1709452

<https://www.phoenixcontact.com/us/products/1709452>

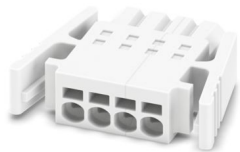


PCB connector, nominal cross section: 0.5 mm², color: white, nominal current: 6 A, rated voltage (III/2): 160 V, contact surface: Sn, contact connection type: Pin, number of potentials: 4, number of rows: 1, number of positions: 4, number of connections: 4, product range: PTSM 0,5/...-PI WH, pitch: 2.5 mm, connection method: Push-in spring connection, conductor/PCB connection direction: 0 °, plug-in system: COMBICON PTSM, locking: without, mounting method: without, type of packaging: packed in cardboard

PTSM 0,5/ 4-PL-2,5 WH - PCB connector

1709460

<https://www.phoenixcontact.com/us/products/1709460>



PCB connector, nominal cross section: 0.5 mm², color: white, nominal current: 6 A, rated voltage (III/2): 160 V, contact surface: Sn, contact connection type: Socket, number of potentials: 4, number of rows: 1, number of positions: 4, number of connections: 4, product range: PTSM 0,5/...-PL WH, pitch: 2.5 mm, connection method: Push-in spring connection, conductor/PCB connection direction: 0 °, plug-in system: COMBICON PTSM, locking: Snap-in locking, mounting method: Latching flange, type of packaging: packed in cardboard

SAMPLE PTSM 0,5 PI/PL-4 SET - Connector set



1714624

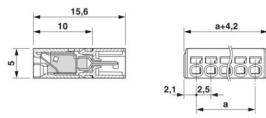
<https://www.phoenixcontact.com/us/products/1714624>

Technical data

Product properties

Product type	Sample set
Product family	SET
Number of positions	1
Pitch	0 mm

Dimensions

Dimensional drawing	
Pitch	-

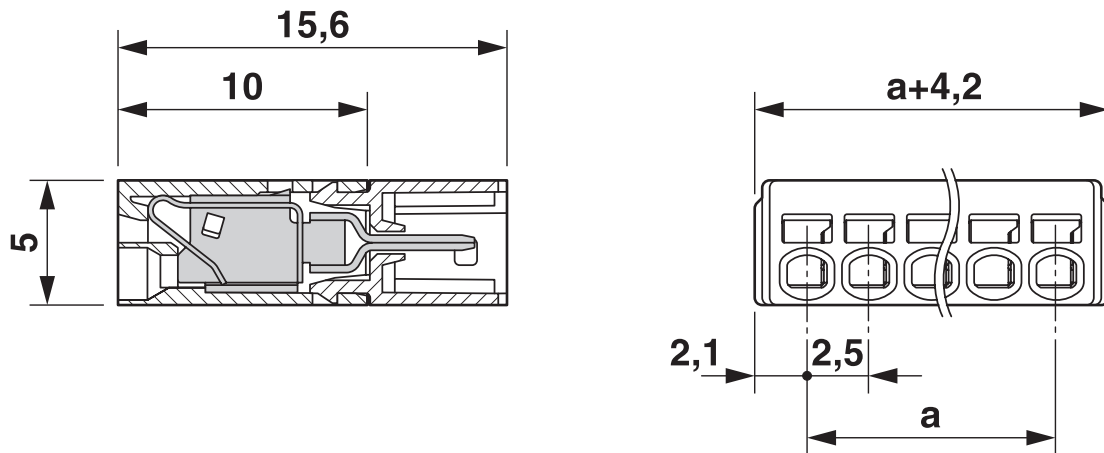
SAMPLE PTSM 0,5 PI/PL-4 SET - Connector set

1714624

<https://www.phoenixcontact.com/us/products/1714624>

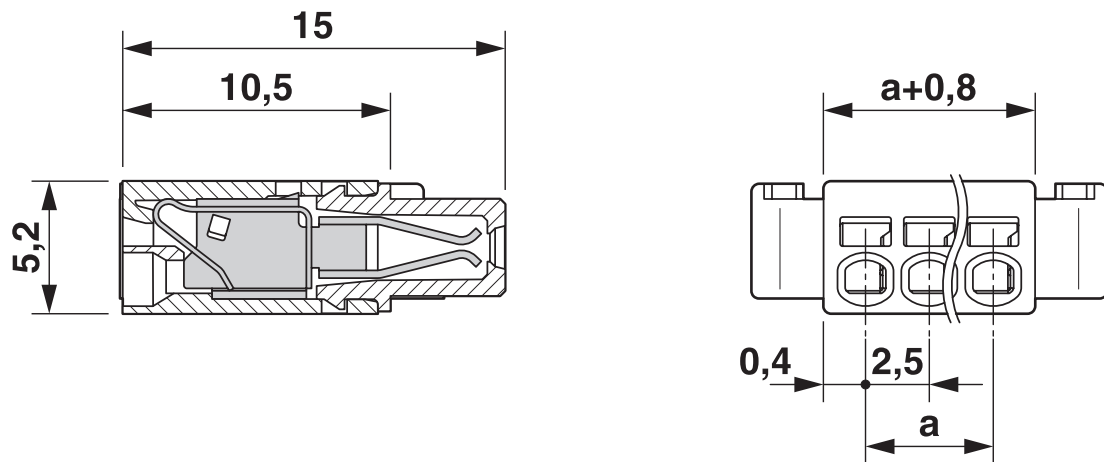
Drawings

Dimensional drawing



PTSM 0,5/...-PI

Dimensional drawing



PTSM 0,5/...-PL

SAMPLE PTSM 0,5 PI/PL-4 SET - Connector set



1714624

<https://www.phoenixcontact.com/us/products/1714624>

Classifications

ECLASS

ECLASS-13.0	27469090
ECLASS-15.0	27469090

ETIM

ETIM 10.0	EC002943
-----------	----------

UNSPSC

UNSPSC 21.0	39121400
-------------	----------

SAMPLE PTSM 0,5 PI/PL-4 SET - Connector set



1714624

<https://www.phoenixcontact.com/us/products/1714624>

Environmental product compliance

EU RoHS

Fulfills EU RoHS substance requirements	Yes, No exemptions
---	--------------------

China RoHS

Environment friendly use period (EFUP)	EFUP-E
	No hazardous substances above the limits

EU REACH SVHC

REACH candidate substance (CAS No.)	No substance above 0.1 wt%
-------------------------------------	----------------------------

EF3.1 Climate Change

CO2e kg	0.088 kg CO2e
---------	---------------

Phoenix Contact 2026 © - all rights reserved
<https://www.phoenixcontact.com>

Phoenix Contact USA
586 Fulling Mill Road
Middletown, PA 17057, United States
(+717) 944-1300
info@phoenixcon.com