

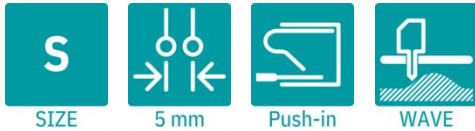
PTS 1,5/ 3-5,0-H AP TRB BK - PCB terminal block



1709567

<https://www.phoenixcontact.com/us/products/1709567>

Please be informed that the data shown in this PDF document is generated from our online catalog. Please find the complete data in the user documentation. Our general terms of use for downloads are valid.



Printed circuit board terminal, number of potentials: 3, number of rows: 1, number of positions per row: 3, product range: PTSH 1,5/..-H, pitch: 5 mm, connection method: Push-in connection, mounting: Wave soldering, conductor/PCB connection direction: 0 °, color: black, Pin layout: Linear pinning, Solder pin [P]: 2.5 mm, number of solder pins per potential: 1, type of packaging: packed in cardboard

Your advantages

- Time saving push-in connection, tools not required
- Defined contact force ensures that contact remains stable over the long term
- Finger-operated release button for very convenient operation
- Anti-rotation pins reduce the mechanical strain on the soldering spots

Commercial data

Item number	1709567
Packing unit	250 pc
Minimum order quantity	250 pc
Sales key	AA12
Product key	AALBEB
GTIN	4055626184593
Weight per piece (including packing)	2.664 g
Weight per piece (excluding packing)	2.623 g
Customs tariff number	85369010
Country of origin	IN

1709567

<https://www.phoenixcontact.com/us/products/1709567>

Technical data

Product properties

Product type	Printed circuit board terminal
Product family	PTSH 1,5/..-H
Product line	COMBICON Terminals S
Type	PC termination block
Number of positions	3
Pitch	5 mm
Number of connections	3
Number of rows	1
Number of potentials	3
Pin layout	Linear pinning
Solder pins per potential	1

Mounting

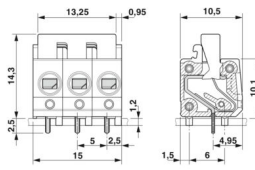
Mounting type	Wave soldering
Pin layout	Linear pinning

Material specifications

Material data - housing

Color (Housing)	black (9005)
-----------------	--------------

Dimensions

Dimensional drawing	
Pitch	5 mm
Width [w]	15 mm
Height [h]	16.8 mm
Length [l]	10.5 mm
Installed height	14.3 mm
Solder pin length [P]	2.5 mm

PCB design

Hole diameter	1.2 mm
---------------	--------

Environmental and real-life conditions

Ambient conditions

Relative humidity (storage/transport)	30 % ... 70 %
---------------------------------------	---------------

PTS 1,5/ 3-5,0-H AP TRB BK - PCB terminal block



1709567

<https://www.phoenixcontact.com/us/products/1709567>

Packaging specifications

Type of packaging
packed in cardboard

PTS 1,5/ 3-5,0-H AP TRB BK - PCB terminal block

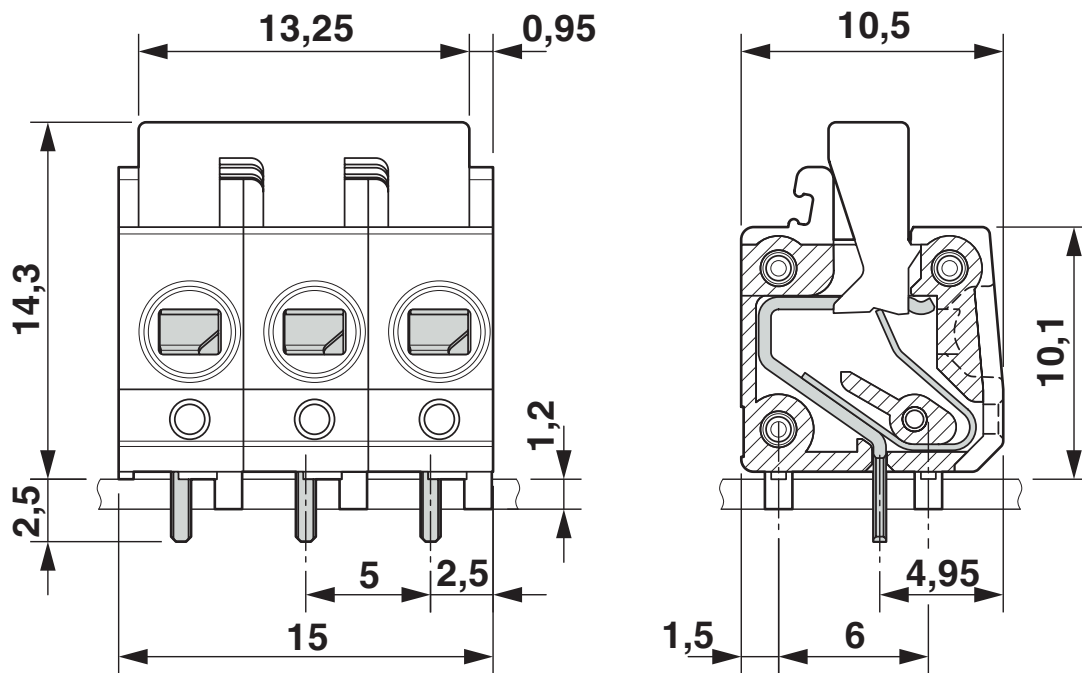


1709567

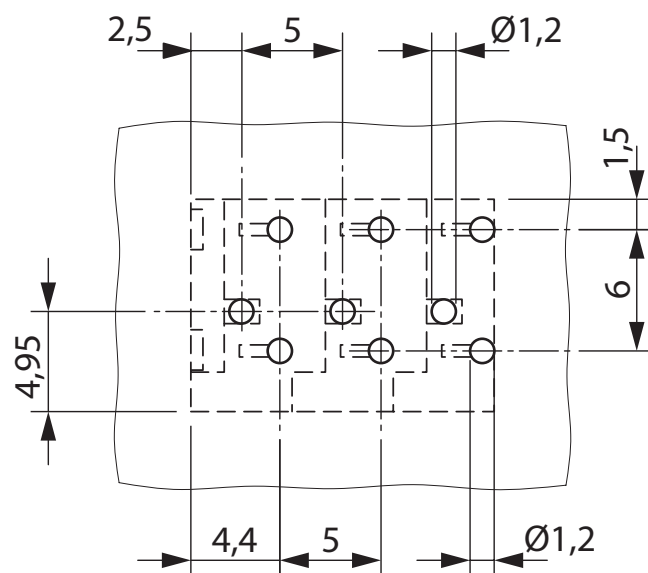
<https://www.phoenixcontact.com/us/products/1709567>

Drawings

Dimensional drawing



Drilling plan/solder pad geometry



PTS 1,5/ 3-5,0-H AP TRB BK - PCB terminal block



1709567

<https://www.phoenixcontact.com/us/products/1709567>

Classifications

ECLASS

ECLASS-13.0	27460101
ECLASS-15.0	27460101

ETIM

ETIM 10.0	EC002643
-----------	----------

UNSPSC

UNSPSC 21.0	39121400
-------------	----------

1709567

<https://www.phoenixcontact.com/us/products/1709567>

Environmental product compliance

EU RoHS

Fulfills EU RoHS substance requirements	Yes, No exemptions
---	--------------------

China RoHS

Environment friendly use period (EFUP)	EFUP-E
	No hazardous substances above the limits

EU REACH SVHC

REACH candidate substance (CAS No.)	No substance above 0.1 wt%
-------------------------------------	----------------------------

EF3.1 Climate Change

CO2e kg	0.017 kg CO2e
---------	---------------

Phoenix Contact 2026 © - all rights reserved
<https://www.phoenixcontact.com>

Phoenix Contact USA
586 Fulling Mill Road
Middletown, PA 17057, United States
(+717) 944-1300
info@phoenixcon.com