

PTE 1,5/ 2-7,5 EU - PCB terminal block



1709231

<https://www.phoenixcontact.com/us/products/1709231>

Please be informed that the data shown in this PDF document is generated from our online catalog. Please find the complete data in the user documentation. Our general terms of use for downloads are valid.



PCB terminal block, number of potentials: 2, number of rows: 1, number of positions per row: 2, product range: PTE 1,5, pitch: 7.5 mm, connection method: Screw connection with tension sleeve, screw head form: L Slotted, mounting: Wave soldering, conductor/PCB connection direction: 0 °, color: black, Pin layout: Linear pinning, Solder pin [P]: 3 mm, number of solder pins per potential: 1, type of packaging: packed in cardboard. For special applications, a rated insulation voltage of 250 V at a rated surge voltage of 1 kV is also possible according to overvoltage category IV and degree of pollution 3.

Your advantages

- Well-known connection principle allows worldwide use
- Low temperature rise, thanks to maximum contact force
- Allows connection of two conductors

Commercial data

Item number	1709231
Packing unit	250 pc
Minimum order quantity	1 pc
Note	Made to order (non-returnable)
Product key	AALFNA
GTIN	4055626053318
Weight per piece (including packing)	4.224 g
Weight per piece (excluding packing)	4.157 g
Country of origin	CN

PTE 1,5/ 2-7,5 EU - PCB terminal block



1709231

<https://www.phoenixcontact.com/us/products/1709231>

Technical data

Product properties

Product type	PCB terminal block
Product family	PTE 1,5
Product line	COMBICON Terminals S
Type	PC termination block
Number of positions	2
Pitch	7.5 mm
Number of connections	2
Number of rows	1
Number of potentials	2
Pin layout	Linear pinning
Solder pins per potential	1

Mounting

Mounting type	Wave soldering
Pin layout	Linear pinning

Material specifications

Material data - housing

Color (Housing)	black (9005)
-----------------	--------------

Dimensions

Dimensional drawing	
Pitch	7.5 mm
Width [w]	13.24 mm
Height [h]	16.58 mm
Length [l]	13 mm
Installed height	13.58 mm
Solder pin length [P]	3 mm

PCB design

Pin spacing	7.5 mm
Hole diameter	1.3 mm

Environmental and real-life conditions

Ambient conditions

Relative humidity (storage/transport)	30 % ... 70 %
---------------------------------------	---------------

PTE 1,5/ 2-7,5 EU - PCB terminal block



1709231

<https://www.phoenixcontact.com/us/products/1709231>

Packaging specifications

Type of packaging	packed in cardboard
Outer packaging type	Carton

PTE 1,5/ 2-7,5 EU - PCB terminal block

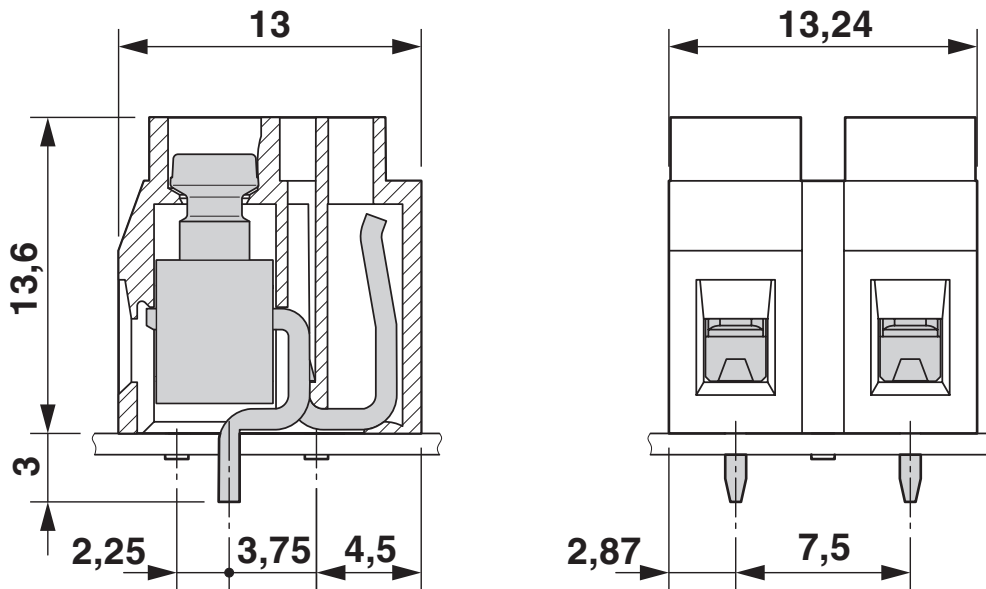


1709231

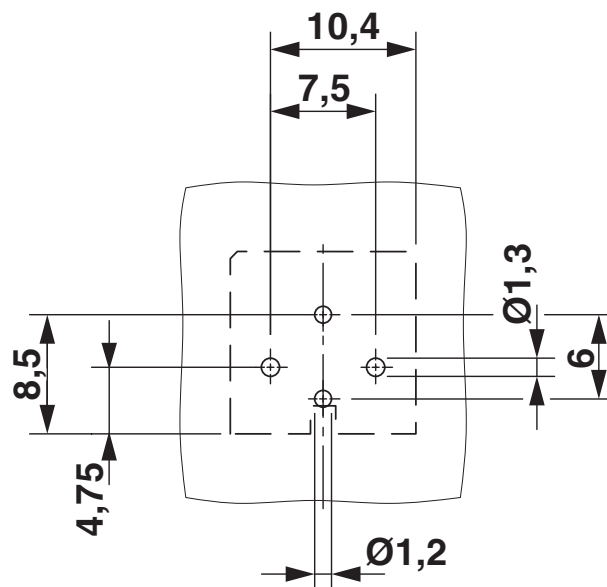
<https://www.phoenixcontact.com/us/products/1709231>

Drawings

Dimensional drawing



Drilling plan/solder pad geometry



PTE 1,5/ 2-7,5 EU - PCB terminal block



1709231

<https://www.phoenixcontact.com/us/products/1709231>

Classifications

ECLASS

ECLASS-13.0	27460101
ECLASS-15.0	27460101

ETIM

ETIM 10.0	EC002643
-----------	----------

UNSPSC

UNSPSC 21.0	39121400
-------------	----------

PTE 1,5/ 2-7,5 EU - PCB terminal block



1709231

<https://www.phoenixcontact.com/us/products/1709231>

Environmental product compliance

EU RoHS

Fulfills EU RoHS substance requirements	Yes, No exemptions
-----------------------------------------	--------------------

China RoHS

Environment friendly use period (EFUP)	EFUP-E
	No hazardous substances above the limits

EU REACH SVHC

REACH candidate substance (CAS No.)	No substance above 0.1 wt%
-------------------------------------	----------------------------

EF3.1 Climate Change

CO2e kg	0.079 kg CO2e
---------	---------------

Phoenix Contact 2026 © - all rights reserved
<https://www.phoenixcontact.com>

Phoenix Contact USA
586 Fulling Mill Road
Middletown, PA 17057, United States
(+717) 944-1300
info@phoenixcon.com