

# ZFKDSA 1-V-6,35 - PCB terminal block

1707357

<https://www.phoenixcontact.com/us/products/1707357>

Please be informed that the data shown in this PDF document is generated from our online catalog. Please find the complete data in the user documentation. Our general terms of use for downloads are valid.



Printed circuit board terminal, nominal current: 12 A, rated voltage (III/2): 200 V, nominal cross section: 1 mm<sup>2</sup>, number of potentials: 1, number of rows: 1, number of positions per row: 1, product range: ZFKDS(A) 1-V, pitch: 3.81 mm, connection method: Spring-cage connection, mounting: Wave soldering, conductor/PCB connection direction: 90 °, color: green, Pin layout: Linear pinning, Solder pin [P]: 3.5 mm, number of solder pins per potential: 2, type of packaging: packed in cardboard. End terminal block for terminating custom-grouped blocks.

## Your advantages

- Defined contact force ensures that contact remains stable over the long term
- Clamping space opened by means of fixed screwdriver enables convenient conductor connection
- Vertical connection enables multi-row arrangement on the PCB
- The latching on the side enables various numbers of positions to be combined
- Two solder pins reduce the mechanical strain on the soldering spots

## Commercial data

|                                      |               |
|--------------------------------------|---------------|
| Item number                          | 1707357       |
| Packing unit                         | 50 pc         |
| Minimum order quantity               | 50 pc         |
| Sales key                            | AA12          |
| Product key                          | AALMAC        |
| GTIN                                 | 4017918144791 |
| Weight per piece (including packing) | 1.656 g       |
| Weight per piece (excluding packing) | 1.416 g       |
| Customs tariff number                | 85369010      |
| Country of origin                    | PL            |

1707357

<https://www.phoenixcontact.com/us/products/1707357>

## Technical data

### Product properties

|                           |                                  |
|---------------------------|----------------------------------|
| Product type              | Printed circuit board terminal   |
| Product family            | ZFKDS(A) 1-V                     |
| Product line              | COMBICON Terminals S             |
| Type                      | PC terminal block can be aligned |
| Number of positions       | 1                                |
| Pitch                     | 3.81 mm                          |
| Number of connections     | 1                                |
| Number of rows            | 1                                |
| Number of potentials      | 1                                |
| Pin layout                | Linear pinning                   |
| Solder pins per potential | 2                                |

### Electrical properties

#### Properties

|                             |        |
|-----------------------------|--------|
| Nominal current $I_N$       | 12 A   |
| Nominal voltage $U_N$       | 200 V  |
| Rated voltage (III/3)       | 200 V  |
| Rated surge voltage (III/3) | 2.5 kV |
| Rated voltage (III/2)       | 200 V  |
| Rated surge voltage (III/2) | 2.5 kV |
| Rated voltage (II/2)        | 400 V  |
| Rated surge voltage (II/2)  | 2.5 kV |

### Connection data

#### Connection technology

|                       |                                  |
|-----------------------|----------------------------------|
| Type                  | PC terminal block can be aligned |
| Nominal cross section | 1 mm <sup>2</sup>                |

#### Conductor connection

|   |  |
|---|--|
| Connection method   | Spring-cage connection                       |
| Conductor cross-section rigid   | 0.14 mm <sup>2</sup> ... 1.5 mm <sup>2</sup> |
| Conductor cross-section flexible  | 0.14 mm <sup>2</sup> ... 1 mm <sup>2</sup>   |
| Conductor cross-section AWG   | 26 ... 16                                    |
| Conductor cross-section, flexible, with ferrule, without plastic sleeve | 0.25 mm <sup>2</sup> ... 0.5 mm <sup>2</sup> |
| Conductor cross-section, flexible, with ferrule, with plastic sleeve    | 0.25 mm <sup>2</sup> ... 0.5 mm <sup>2</sup> |
| Stripping length  | 7.5 mm                                       |

### Mounting

|               |                |
|---------------|----------------|
| Mounting type | Wave soldering |
|---------------|----------------|

# ZFKDSA 1-V-6,35 - PCB terminal block

1707357

<https://www.phoenixcontact.com/us/products/1707357>

|            |                |
|------------|----------------|
| Pin layout | Linear pinning |
|------------|----------------|

## Material specifications

### Material data - contact

|  |  |
|--|--|
| Note                                     | WEEE/RoHS-compliant, free of whiskers according to IEC 60068-2-82/JEDEC JESD 201 |
| Contact material                         | Cu alloy   |
| Surface characteristics                  | hot-dip tin-plated   |
| Metal surface terminal point (top layer) | Tin (10 µm - 16 µm Sn)   |
| Metal surface soldering area (top layer) | Tin (10 µm - 16 µm Sn)   |

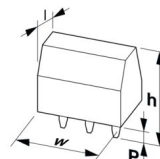
### Material data - housing

|   |              |
|---|--------------|
| Color (Housing)   | green (6021) |
| Insulating material   | PA           |
| Insulating material group   | I            |
| CTI according to IEC 60112  | 600          |
| Flammability rating according to UL 94                            | V0           |
| Glow wire flammability index GWFI according to EN 60695-2-12      | 850          |
| Glow wire ignition temperature GWIT according to EN 60695-2-13    | 775          |
| Temperature for the ball pressure test according to EN 60695-10-2 | 125 °C       |

### Material data – actuating element

|                           |              |
|---------------------------|--------------|
| Color (Actuating element) | green (6021) |
|---------------------------|--------------|

## Dimensions

|                       |  |
|-----------------------|--|
| Dimensional drawing   |  |
| Pitch                 | 3.81 mm  |
| Width [w]             | 6.85 mm  |
| Height [h]            | 17.7 mm  |
| Length [l]            | 16.85 mm   |
| Installed height      | 14.2 mm  |
| Solder pin length [P] | 3.5 mm   |
| Pin dimensions        | 0.8 x 0.8 mm   |

### PCB design

|               |        |
|---------------|--------|
| Hole diameter | 1.2 mm |
|---------------|--------|

## Electrical tests

Air clearances and creepage distances |

# ZFKDSA 1-V-6,35 - PCB terminal block



1707357

<https://www.phoenixcontact.com/us/products/1707357>

|  |                     |
|--|---------------------|
| Specification  | IEC 60664-1:2007-04 |
| Insulating material group                              | I                   |
| Comparative tracking index (IEC 60112)                 | CTI 600             |
| Rated insulation voltage (III/3)                       | 200 V               |
| Rated surge voltage (III/3)                            | 2.5 kV              |
| minimum clearance value - non-homogenous field (III/3) | 1.5 mm              |
| minimum creepage distance (III/3)                      | 2.5 mm              |
| Rated insulation voltage (III/2)                       | 200 V               |
| Rated surge voltage (III/2)                            | 2.5 kV              |
| minimum clearance value - non-homogenous field (III/2) | 1.5 mm              |
| minimum creepage distance (III/2)                      | 1.5 mm              |
| Rated insulation voltage (II/2)                        | 400 V               |
| Rated surge voltage (II/2)                             | 2.5 kV              |
| minimum clearance value - non-homogenous field (II/2)  | 1.5 mm              |
| minimum creepage distance (II/2)                       | 2 mm                |

## Environmental and real-life conditions

### Ambient conditions

|                                       |               |
|---------------------------------------|---------------|
| Relative humidity (storage/transport) | 30 % ... 70 % |
|---------------------------------------|---------------|

## Packaging specifications

|                   |                     |
|-------------------|---------------------|
| Type of packaging | packed in cardboard |
|-------------------|---------------------|

# ZFKDSA 1-V-6,35 - PCB terminal block

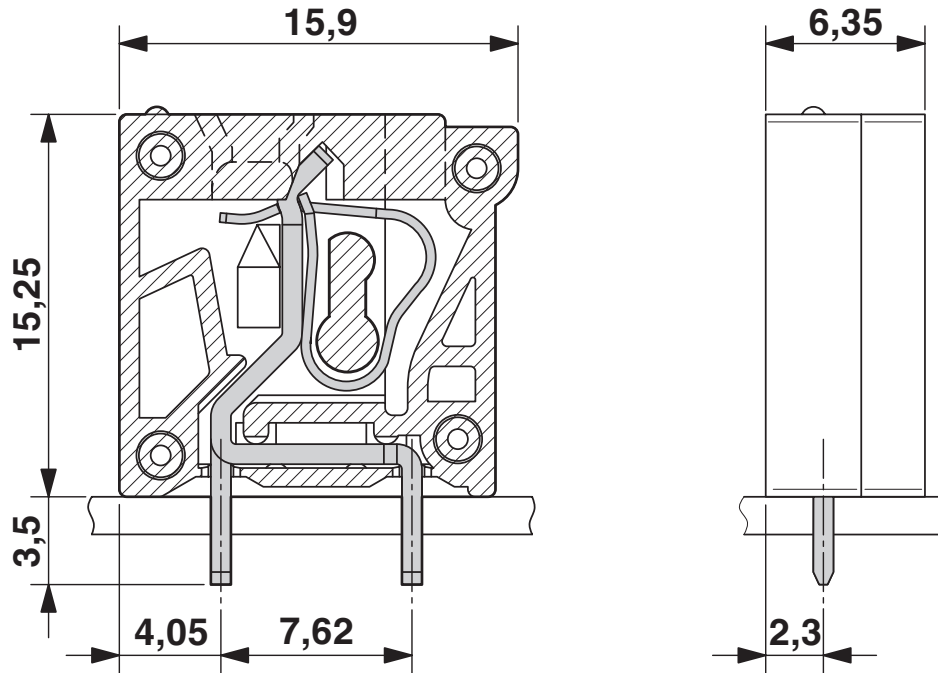


1707357

<https://www.phoenixcontact.com/us/products/1707357>

## Drawings

Dimensional drawing



# ZFKDSA 1-V-6,35 - PCB terminal block




1707357

<https://www.phoenixcontact.com/us/products/1707357>

## Approvals

To download certificates, visit the product detail page: <https://www.phoenixcontact.com/us/products/1707357>

|  <b>cULus Recognized</b><br>Approval ID: E60425-19941111 |  | Nominal voltage $U_N$ | Nominal current $I_N$ | Cross section AWG | Cross section $\text{mm}^2$ |
|---|--|-----------------------|-----------------------|-------------------|-----------------------------|
| B   |  | 250 V                 | 10 A                  | 26 - 12           | -                           |

# ZFKDSA 1-V-6,35 - PCB terminal block



1707357

<https://www.phoenixcontact.com/us/products/1707357>

## Classifications

### ECLASS

|             |          |
|-------------|----------|
| ECLASS-13.0 | 27460101 |
| ECLASS-15.0 | 27460101 |

### ETIM

|           |          |
|-----------|----------|
| ETIM 10.0 | EC002643 |
|-----------|----------|

### UNSPSC

|             |          |
|-------------|----------|
| UNSPSC 21.0 | 39121400 |
|-------------|----------|

# ZFKDSA 1-V-6,35 - PCB terminal block



1707357

<https://www.phoenixcontact.com/us/products/1707357>

## Environmental product compliance

### EU RoHS

|   |                    |
|---|--------------------|
| Fulfills EU RoHS substance requirements | Yes, No exemptions |
|---|--------------------|

### China RoHS

|  |  |
|--|--|
| Environment friendly use period (EFUP) | EFUP-E                                   |
|  | No hazardous substances above the limits |

### EU REACH SVHC

|                                     |                            |
|-------------------------------------|----------------------------|
| REACH candidate substance (CAS No.) | No substance above 0.1 wt% |
|-------------------------------------|----------------------------|

### EF3.1 Climate Change

|         |               |
|---------|---------------|
| CO2e kg | 0.009 kg CO2e |
|---------|---------------|

Phoenix Contact 2026 © - all rights reserved  
<https://www.phoenixcontact.com>

Phoenix Contact USA  
586 Fulling Mill Road  
Middletown, PA 17057, United States  
(+717) 944-1300  
[info@phoenixcon.com](mailto:info@phoenixcon.com)