

PTSPL-6/1-2X2 2,1 R32 - PCB terminal block



1704836

<https://www.phoenixcontact.com/us/products/1704836>

Please be informed that the data shown in this PDF document is generated from our online catalog. Please find the complete data in the user documentation. Our general terms of use for downloads are valid.



PCB terminal block, nominal current: 41 A, nominal cross section: 6 mm², number of potentials: 1, number of rows: 1, number of positions per row: 1, product range: PTSPL 6/.., pitch: 0 mm, connection method: Push-in spring connection, mounting: THR soldering / wave soldering, conductor/PCB connection direction: 0 °, color: copper color, Pin layout: Linear pinning, Solder pin [P]: 2.1 mm, number of solder pins per potential: 4, type of packaging: 32 mm wide tape

Your advantages

- Able to perform without insulating elements: ideal for easy integration into the SMT soldering process
- Tool-free spring principle enables time-saving connection of conductors with ferrules and tinned conductors
- Defined contact force ensures that contact remains stable over the long term

Commercial data

Item number	1704836
Packing unit	250 pc
Minimum order quantity	250 pc
Sales key	AA14
Product key	AANCBA
GTIN	4046356739757
Weight per piece (including packing)	3.2 g
Weight per piece (excluding packing)	785 g
Customs tariff number	85369010
Country of origin	DE

PTSPL-6/1-2X2 2,1 R32 - PCB terminal block



1704836

<https://www.phoenixcontact.com/us/products/1704836>

Technical data

Product properties

Product type	PCB terminal block
Product family	PTSPL 6/..
Product line	COMBICON Terminals L
Type	Circular conductor connection, single-pos.
Number of positions	1
Pitch	0 mm
Number of connections	1
Number of rows	1
Number of potentials	1
Pin layout	Linear pinning
Solder pins per potential	4

Electrical properties

Properties

Nominal current I_N	41 A
-----------------------	------

Connection data

Connection technology

Type	Circular conductor connection, single-pos.
Nominal cross section	6 mm ²

Conductor connection

Connection method	Push-in spring connection
Conductor cross-section flexible	2.5 mm ² ... 6 mm ² (Conductors with tin-plated litz wires are to be used, for example type PV1-F.)
Conductor cross-section, flexible, with ferrule, without plastic sleeve	2.5 mm ² ... 6 mm ²
Stripping length	12 mm ... 15 mm

Mounting

Mounting type	THR soldering / wave soldering
Pin layout	Linear pinning

Material specifications

Material data - contact

Note	WEEE/RoHS-compliant, free of whiskers according to IEC 60068-2-82/JEDEC JESD 201
Contact material	Cu alloy
Surface characteristics	hot-dip tin-plated
Metal surface terminal point (top layer)	Tin (4 μm - 8 μm Sn)

PTSPL-6/1-2X2 2,1 R32 - PCB terminal block



1704836

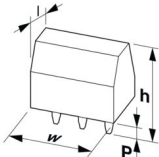
<https://www.phoenixcontact.com/us/products/1704836>

Metal surface soldering area (top layer)	Tin (4 µm - 8 µm Sn)
--	----------------------

Material data - housing

Color (Housing)	copper color ()
-----------------	-----------------

Dimensions

Dimensional drawing	
Width [w]	8.7 mm
Height [h]	1.9 mm
Length [l]	14.95 mm
Installed height	10.8 mm
Solder pin length [P]	2.1 mm
Pin dimensions	0.6 x 1 mm

PCB design

Hole diameter	1.3 mm
---------------	--------

Mechanical tests

Conductor connection

Specification	IEC 60999-1:1999-11
Result	Test passed

Test for conductor damage and slackening

Specification	IEC 60999-1:1999-11
Result	Test passed

Pull-out test

Specification	IEC 60999-1:1999-11
Conductor cross-section/conductor type/tractive force setpoint/actual value	2.5 mm ² / stranded PV1-F / > 50 N
	6 mm ² / stranded PV1-F / > 80 N

Electrical tests

Temperature-rise test

Specification	60947-7-4/FDIS © IEC 2012
Requirement temperature-rise test	Increase in temperature ≤ 45 K

Temperature cycles

Specification	IEC 60999-1:1999-11
Result	Test passed

Environmental and real-life conditions

PTSPL-6/1-2X2 2,1 R32 - PCB terminal block



1704836

<https://www.phoenixcontact.com/us/products/1704836>

Vibration test

Specification	IEC 60068-2-6:2007-12
Frequency	10 - 150 - 10 Hz
Sweep speed	1 octave/min
Amplitude	0.35 mm (10 Hz ... 60.1 Hz)
Acceleration	5g (60.1 Hz ... 150 Hz)
Test duration per axis	2.5 h
Test directions	X-, Y- and Z-axis

Shocks

Specification	IEC 60068-2-27:2008-02
Pulse shape	Semi-sinusoidal
Acceleration	30g
Shock duration	18 ms
Test directions	X-, Y- and Z-axis (pos. and neg.)

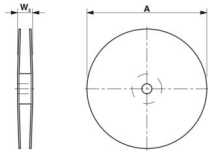
Railway application: Shocks

Acceleration	30g
Shock duration	18 ms
Test directions	X-, Y- and Z-axis (pos. and neg.)

Ambient conditions

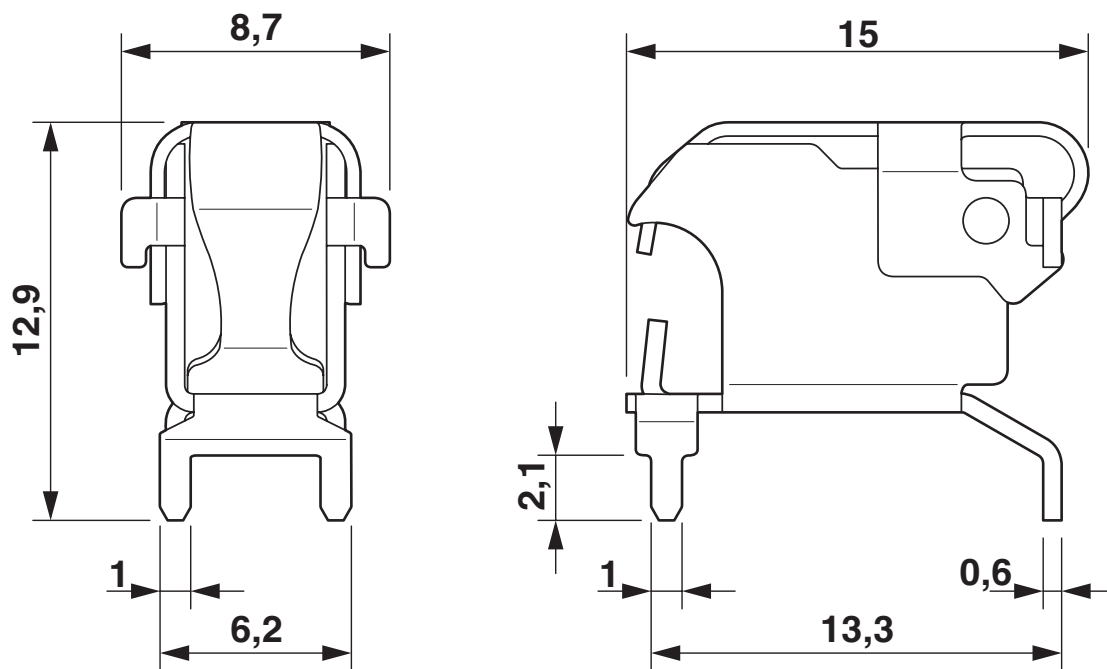
Ambient temperature (storage/transport)	-40 °C ... 70 °C
Relative humidity (storage/transport)	30 % ... 70 %
Ambient temperature (assembly)	-5 °C ... 100 °C
Ambient temperature (operation)	-40 °C ... 100 °C (Depending on the current carrying capacity/derating curve)

Packaging specifications

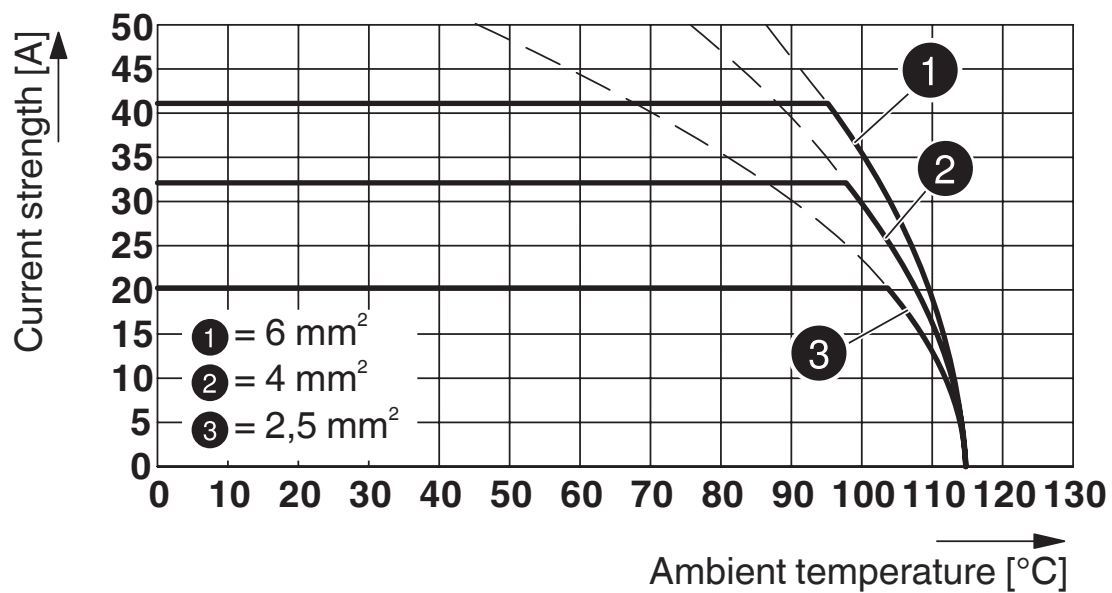
Dimensional drawing	
Type of packaging	32 mm wide tape
[W] tape width	32 mm
[W2] coil overall dimension	≤ 38.4 mm
[A] coil diameter	≤ 330 mm
Outer packaging type	Transparent-Bag

Drawings

Dimensional drawing



Diagram



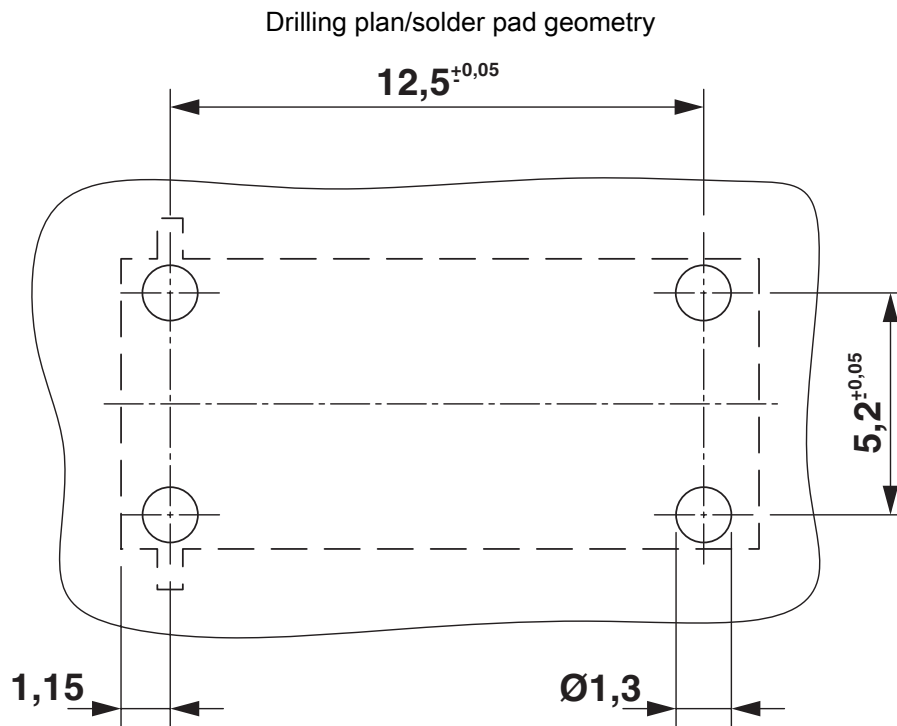
Type: PTSPL(O)-6/1-2X2 ... R32

PTSPL-6/1-2X2 2,1 R32 - PCB terminal block



1704836

<https://www.phoenixcontact.com/us/products/1704836>



PTSPL-6/1-2X2 2,1 R32 - PCB terminal block




1704836

<https://www.phoenixcontact.com/us/products/1704836>

Approvals

To download certificates, visit the product detail page: <https://www.phoenixcontact.com/us/products/1704836>

 cULus Recognized Approval ID: E365246-20141111				
	Nominal voltage U_N	Nominal current I_N	Cross section AWG	Cross section mm^2
keine				
	-	30 A	14 - 10	-

PTSPL-6/1-2X2 2,1 R32 - PCB terminal block



1704836

<https://www.phoenixcontact.com/us/products/1704836>

Classifications

ECLASS

ECLASS-13.0	27460101
ECLASS-15.0	27460101

ETIM

ETIM 10.0	EC002643
-----------	----------

UNSPSC

UNSPSC 21.0	39121400
-------------	----------

PTSPL-6/1-2X2 2,1 R32 - PCB terminal block



1704836

<https://www.phoenixcontact.com/us/products/1704836>

Environmental product compliance

EU RoHS

Fulfills EU RoHS substance requirements	Yes, No exemptions
---	--------------------

China RoHS

Environment friendly use period (EFUP)	EFUP-E
	No hazardous substances above the limits

EU REACH SVHC

REACH candidate substance (CAS No.)	No substance above 0.1 wt%
-------------------------------------	----------------------------

EF3.1 Climate Change

CO2e kg	0.036 kg CO2e
---------	---------------

Phoenix Contact 2026 © - all rights reserved
<https://www.phoenixcontact.com>

Phoenix Contact USA
586 Fulling Mill Road
Middletown, PA 17057, United States
(+717) 944-1300
info@phoenixcon.com