

# SACC-M 8MR-3CON-M - Connector



1699902

<https://www.phoenixcontact.com/us/products/1699902>

Please be informed that the data shown in this PDF document is generated from our online catalog. Please find the complete data in the user documentation. Our general terms of use for downloads are valid.

Connector, Universal, 3-position, Plug angled M8, coding: A, Solder connection, knurl material: Brass, nickel-plated, external cable diameter 3.5 mm ... 5 mm



## Your advantages

- Safe use in the field, thanks to a high degree of protection

## Commercial data

Item number	1699902
Packing unit	1 pc
Minimum order quantity	1 pc
Sales key	BF35
Product key	AF2BIA
GTIN	4017918574031
Weight per piece (including packing)	10.43 g
Weight per piece (excluding packing)	9.2 g
Customs tariff number	85366990
Country of origin	DE

# SACC-M 8MR-3CON-M - Connector



1699902

<https://www.phoenixcontact.com/us/products/1699902>

## Technical data

### Notes

Assembly note	<b>NOTE:</b> Observe the permissible bending radii when routing cables, since the degree of protection may be at risk if the bending forces are too high. Reduce mechanical loads upstream of the connector, e.g., by using cable ties.
---------------	---

### Mounting

Assembly note	The connector pin assignment can be rotated 90° to the cable outlet
---------------	---

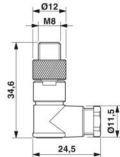
### Product properties

Product type	Circular connector (cable-side)
Sensor type	Universal
Number of positions	3
No. of cable outlets	1
Shielded	no
Coding	A
Cable outlet	angled

### Insulation characteristics

Overvoltage category	II
Degree of pollution	3

### Dimensions

Dimensional drawing	
Length	34.6 mm

### External dimensions

Outside diameter	3.5 mm ... 5 mm
------------------	-----------------

### Housing

Diameter housing	12 mm
------------------	-------

### Material specifications

Flammability rating according to UL 94	HB
Seal material	NBR
Material of grip body	PBT
Contact material	CuZn
Contact surface material	Au

# SACC-M 8MR-3CON-M - Connector



1699902

<https://www.phoenixcontact.com/us/products/1699902>

Contact carrier material	PA
Material for screw connection	Brass, nickel-plated

## Connection data

### Conductor connection

Connection method	Solder connection
Connection cross section	0.08 mm <sup>2</sup> ... 0.25 mm <sup>2</sup> (flexible) 0.08 mm <sup>2</sup> ... 0.25 mm <sup>2</sup> (solid)
Connection cross section AWG	28 ... 24 (flexible) 28 ... 24 (solid)
Stripping length of the individual wire	3 mm
Tightening torque	0.2 Nm (M8 knurl)

## Electrical properties

Rated surge voltage	0.8 kV
Contact resistance	≤ 3 mΩ
Insulation resistance	≥ 100 MΩ
Nominal voltage U <sub>N</sub>	48 V AC 60 V DC
Nominal current I <sub>N</sub>	4 A

## Mechanical properties

### Mechanical data

Insertion/withdrawal cycles	≥ 100
-----------------------------	-------

## Connector

### Connection 1

Head design	Plug
Head cable outlet	angled
Head thread type	M8
Coding	A

## Cable/line

Signal type/category	Universal
Stripping length of the individual wire	3 mm

## Environmental and real-life conditions

### Ambient conditions

Degree of protection	IP67
Ambient temperature (operation) (male connector/female connector)	-40 °C ... 85 °C

## Standards and regulations

# SACC-M 8MR-3CON-M - Connector



1699902

<https://www.phoenixcontact.com/us/products/1699902>

M8

Standard designation	M8 connector
Standards/specifications	IEC 61076-2-104

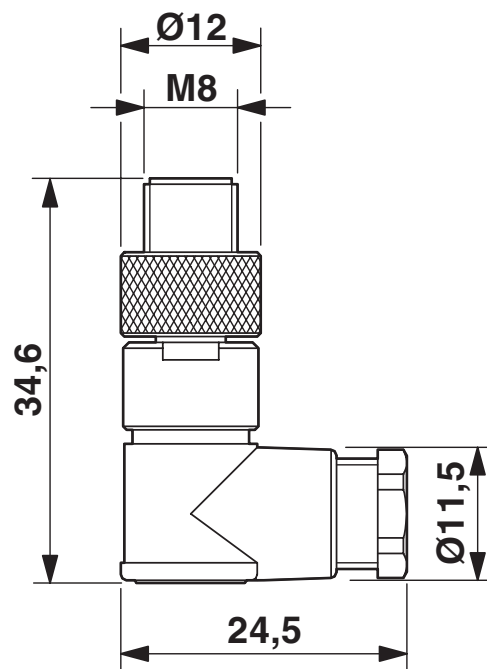
# SACC-M 8MR-3CON-M - Connector

1699902

<https://www.phoenixcontact.com/us/products/1699902>

## Drawings

Dimensional drawing



M8 x 1 male plug, angled version

Schematic diagram



Pin assignment M8 male connector, 3-pos.

# SACC-M 8MR-3CON-M - Connector



1699902

<https://www.phoenixcontact.com/us/products/1699902>

## Approvals

To download certificates, visit the product detail page: <https://www.phoenixcontact.com/us/products/1699902>

 <b>UL Listed</b> Approval ID: FILE E 221474				
	Nominal voltage $U_N$	Nominal current $I_N$	Cross section AWG	Cross section $\text{mm}^2$
keine				
	60 V	4 A	-	-

 <b>cUL Listed</b> Approval ID: FILE E 221474				
	Nominal voltage $U_N$	Nominal current $I_N$	Cross section AWG	Cross section $\text{mm}^2$
keine				
	60 V	4 A	-	-

# SACC-M 8MR-3CON-M - Connector



1699902

<https://www.phoenixcontact.com/us/products/1699902>

## Classifications

### ECLASS

ECLASS-13.0	27440116
ECLASS-15.0	27440116

### ETIM

ETIM 10.0	EC002635
-----------	----------

### UNSPSC

UNSPSC 21.0	39121400
-------------	----------

# SACC-M 8MR-3CON-M - Connector



1699902

<https://www.phoenixcontact.com/us/products/1699902>

## Environmental product compliance

### EU RoHS

Fulfills EU RoHS substance requirements	Yes
Exemption	6(c)

### China RoHS

Environment friendly use period (EFUP)	EFUP-50
	An article-related China RoHS declaration table can be found in the download area for the respective article under "Manufacturer declaration". For all articles with EFUP-E, no China RoHS declaration table issued and required.

### EU REACH SVHC

REACH candidate substance (CAS No.)	Lead(CAS: 7439-92-1)
SCIP	a546a377-7286-4e37-b493-396f69e2e8eb

### EF3.1 Climate Change

CO2e kg	0.637 kg CO2e
---------	---------------

Phoenix Contact 2026 © - all rights reserved  
<https://www.phoenixcontact.com>

Phoenix Contact USA  
586 Fulling Mill Road  
Middletown, PA 17057, United States  
(+717) 944-1300  
[info@phoenixcon.com](mailto:info@phoenixcon.com)