

SACB-4/ 4-L-C GG - Distributor box header



1698110

<https://www.phoenixcontact.com/us/products/1698110>

Please be informed that the data shown in this PDF document is generated from our online catalog. Please find the complete data in the user documentation. Our general terms of use for downloads are valid.



The figure shows a version with 8 slots

Distributor box header, connection method: M12 socket Plastic, number of slots: 4, number of positions: 4, coding: A, slot assignment: single, status display: yes, PNP; master cable connection: Pluggable screw connection, shielding: no

Commercial data

Item number	1698110
Packing unit	1 pc
Note	Made to order (non-returnable)
Sales key	NULL
Product key	AF3CBD
GTIN	4017918818777
Weight per piece (including packing)	80.5 g
Weight per piece (excluding packing)	76.82 g
Customs tariff number	85444290
Country of origin	PL

SACB-4/ 4-L-C GG - Distributor box header



1698110

<https://www.phoenixcontact.com/us/products/1698110>

Technical data

Product properties

Product type	Header with metric measurement slots
Number of positions	4
Number of slots	4
Coding	A
LED	yes

System properties

Local diagnostics

Monitored function	Supply voltage per module
Optical representation	Green LED

Electrical properties

Max. operating voltage U_{max}	30 V DC
Local diagnostics	Supply voltage per module Green LED
	Status display I/O Yellow LED
Nominal voltage U_N	24 V DC
Rated current, total	10 A
	2x 8 A (For electrical isolation)
Max. current carrying capacity per path	2 A
Current carrying capacity per slot	4 A

Signaling

Status display present	yes
------------------------	-----

Dimensions

Dimensional drawing	
Width	54 mm
Height	19 mm
Length	117 mm

Material specifications

Material Threaded sleeve	PA
Material Housing	PA
Flammability rating according to UL 94	V0
Seal material O-ring	NBR

SACB-4/ 4-L-C GG - Distributor box header



1698110

<https://www.phoenixcontact.com/us/products/1698110>

Contact material	CuSn
Contact surface material	Ni/Au
Contact carrier material	PA
Material of contact, master cable side	CU alloy
Material of the contact carrier on the master cable side	PA 6.6 V0
Material of contact surface, master cable side	Sn

Cable/line

Connection method	Pluggable screw connection
-------------------	----------------------------

Environmental and real-life conditions

Ambient conditions

Degree of protection	IP65
	IP67
Ambient temperature (operation)	-25 °C ... 75 °C

SACB-4/ 4-L-C GG - Distributor box header

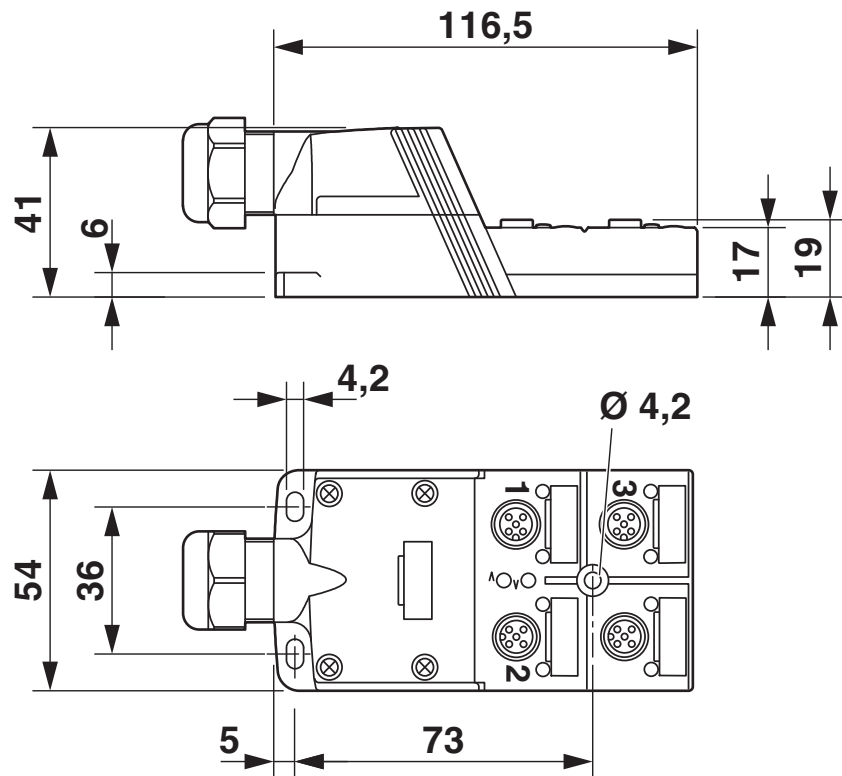


1698110

<https://www.phoenixcontact.com/us/products/1698110>

Drawings

Dimensional drawing



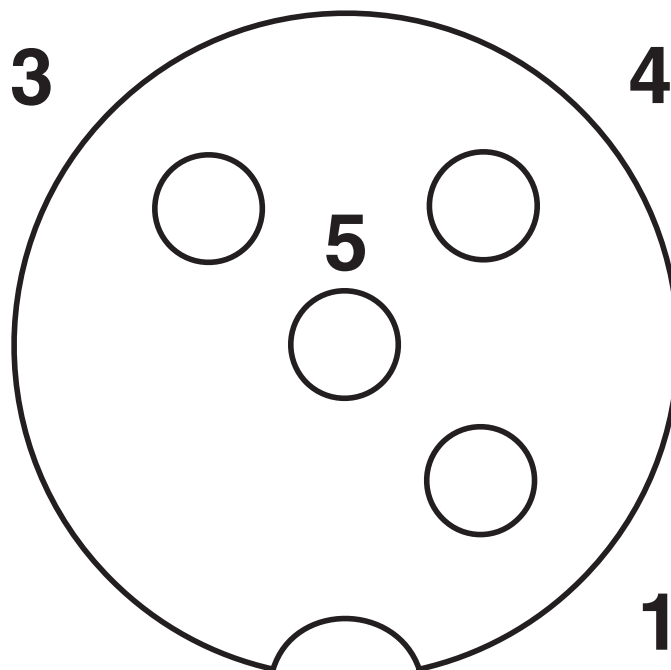
SACB-4/ 4-L-C GG - Distributor box header

1698110

<https://www.phoenixcontact.com/us/products/1698110>



Schematic diagram



M12 slot, socket, 4-pos.

SACB-4/ 4-L-C GG - Distributor box header

1698110

<https://www.phoenixcontact.com/us/products/1698110>



Schematic diagram



Potential U_{N1} and U_{N2} bridged. Potential assignment: $U_{N1} = U_{N2} = \text{slots } 1,2,3,4.$

SACB-4/ 4-L-C GG - Distributor box header

1698110

<https://www.phoenixcontact.com/us/products/1698110>

Schematic diagram



Electrically isolated. Potential assignment: U_{N1} = slots 1,3 and U_{N2} = slots 2,4.

SACB-4/ 4-L-C GG - Distributor box header



1698110

<https://www.phoenixcontact.com/us/products/1698110>

Circuit diagram



SACB-4/ 4-L-C GG - Distributor box header



1698110

<https://www.phoenixcontact.com/us/products/1698110>

Classifications

ECLASS

ECLASS-13.0	27440111
ECLASS-15.0	27440111

SACB-4/ 4-L-C GG - Distributor box header



1698110

<https://www.phoenixcontact.com/us/products/1698110>

Environmental product compliance

EU REACH SVHC

REACH candidate substance (CAS No.)	
-------------------------------------	--

	No substance above 0.1 wt%
--	----------------------------

Phoenix Contact 2026 © - all rights reserved

<https://www.phoenixcontact.com>

Phoenix Contact USA
586 Fulling Mill Road
Middletown, PA 17057, United States
(+717) 944-1300
info@phoenixcon.com