

SACB-4/ 4-L- 0,5 OTB - Distributor box



1695964

<https://www.phoenixcontact.com/us/products/1695964>

Please be informed that the data shown in this PDF document is generated from our online catalog. Please find the complete data in the user documentation. Our general terms of use for downloads are valid.



Distributor box, connection method: M12 socket Plastic, number of slots: 4, number of positions: 4, coding: A, slot assignment: single, status display: yes; master cable connection: Fixed connection 270°, cable length: 0.5 m, shielding: no

Commercial data

Item number	1695964
Packing unit	1 pc
Minimum order quantity	1 pc
Note	Made to order (non-returnable)
Sales key	BF41
Product key	AF3CBF
GTIN	4017918888282
Weight per piece (including packing)	107 g
Weight per piece (excluding packing)	107 g
Customs tariff number	85444290
Country of origin	PL

SACB-4/ 4-L- 0,5 OTB - Distributor box



1695964

<https://www.phoenixcontact.com/us/products/1695964>

Technical data

Notes

Assembly note	NOTE: Observe the permissible bending radii when routing cables, since the degree of protection may be at risk if the bending forces are too high. Reduce mechanical loads upstream of the connector, e.g., by using cable ties.
Note on application	Unused slots are to be sealed off prior to commissioning. Suitable sealing elements are to be found under "Accessories".

Product properties

Product type	Distributor box
Number of positions	4
Number of slots	4
Coding	A
LED	yes

System properties

Local diagnostics

Monitored function	Supply voltage
Optical representation	Green LED

Electrical properties

Max. operating voltage U_{max}	30 V DC
Local diagnostics	Supply voltage Green LED
	Status display I/O Yellow LED
Nominal voltage U_N	24 V DC
Rated current, total	12 A
Max. current carrying capacity per path	2 A
Current carrying capacity per slot	4 A

Connection data

Conductor connection

Sensor/actuator connection system	M12 socket
Tightening torque slot sensor/actuator cable	0.4 Nm

Connection assignment

Slot/position = Wire color or connection	1 / 4 (A) = WH
	2 / 4 (A) = GN
	3 / 4 (A) = YE
	4 / 4 (A) = GY
	1-4 / 1 (+ 24 V) = BN
	1-4 / 3 (0 V) = BU
	1-4 / 5 (PE) = GNYE

SACB-4/ 4-L- 0,5 OTB - Distributor box



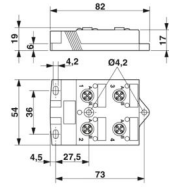
1695964

<https://www.phoenixcontact.com/us/products/1695964>

Signaling

Status display present	yes
------------------------	-----

Dimensions

Dimensional drawing	
Width	54 mm
Height	19 mm
Length	82 mm

Material specifications

Material Threaded sleeve	PA
Material Housing	PA
Flammability rating according to UL 94	V0
Seal material O-ring	NBR
Contact material	CuSn
Contact surface material	Ni/Au
Contact carrier material	PA

Cable/line

Cable length	0.5 m
Connection method	Fixed connection
Conductor cross-section signal conductor	4x 0.34 mm ²
Conductor structure signal line	19x 0.15 mm
AWG signal line	22
Conductor structure, voltage supply	42x 0.15 mm
AWG power supply	18
Ambient temperature (operation)	-40 °C ... 90 °C (for fixed installation) -5 °C ... 80 °C (for flexible installation)

Environmental and real-life conditions

Ambient conditions

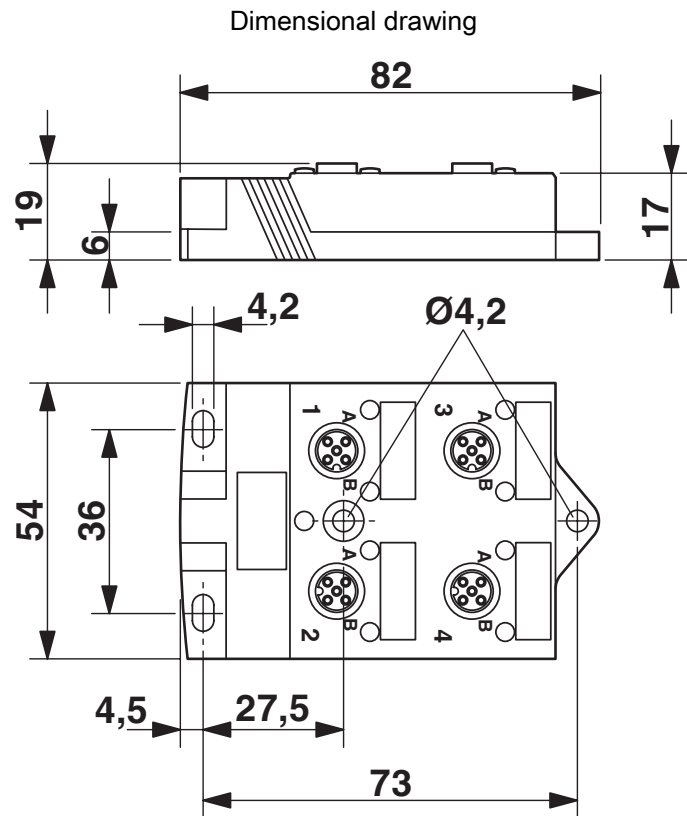
Degree of protection	IP65 IP67
Ambient temperature (operation)	-25 °C ... 75 °C

SACB-4/ 4-L- 0,5 OTB - Distributor box

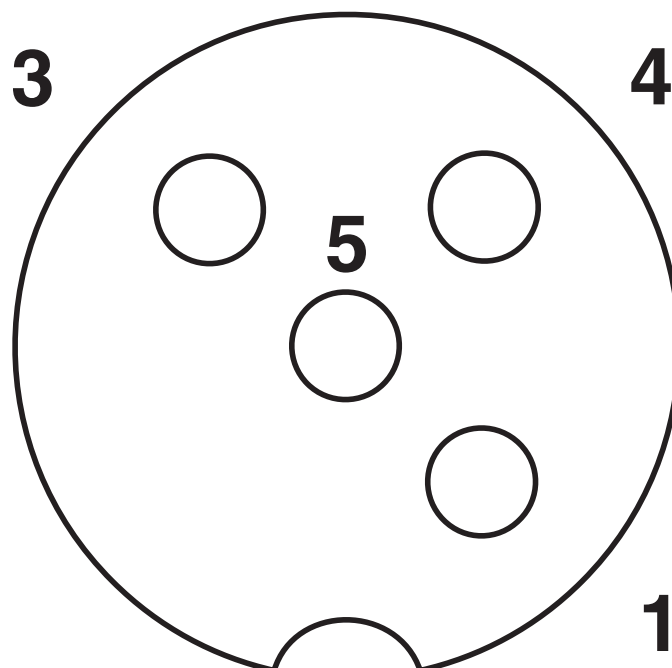
1695964

<https://www.phoenixcontact.com/us/products/1695964>

Drawings



Schematic diagram



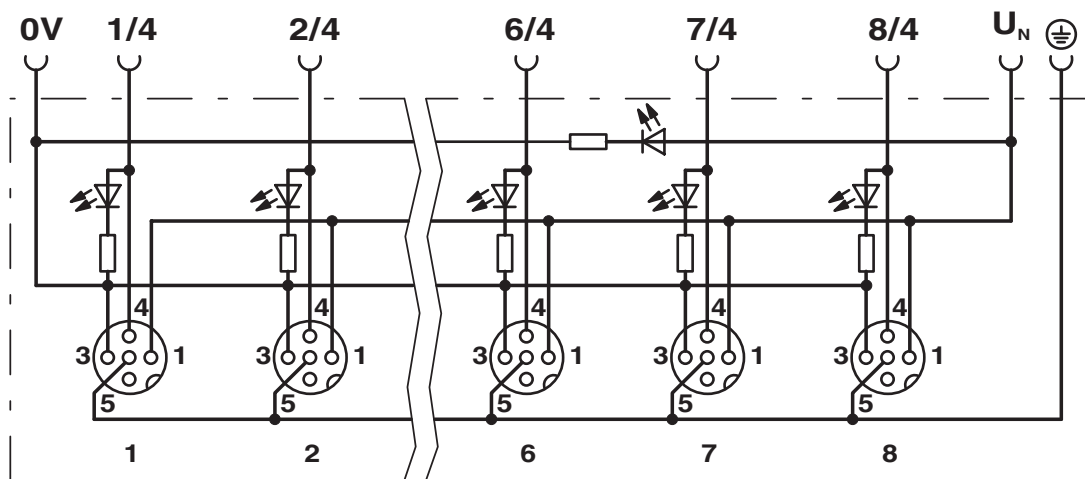
M12 slot, socket, 4-pos.

SACB-4/ 4-L- 0,5 OTB - Distributor box

1695964

<https://www.phoenixcontact.com/us/products/1695964>

Circuit diagram



SACB-4/ 4-L- 0,5 OTB - Distributor box



1695964

<https://www.phoenixcontact.com/us/products/1695964>

Classifications

ECLASS

ECLASS-13.0	27440111
ECLASS-15.0	27440111

UNSPSC

UNSPSC 21.0	31251501
-------------	----------

SACB-4/ 4-L- 0,5 OTB - Distributor box



1695964

<https://www.phoenixcontact.com/us/products/1695964>

Environmental product compliance

EU RoHS

Fulfills EU RoHS substance requirements	Not applicable
Exemption	7(c)-I

China RoHS

Environment friendly use period (EFUP)	EFUP-50
	An article-related China RoHS declaration table can be found in the download area for the respective article under "Manufacturer declaration". For all articles with EFUP-E, no China RoHS declaration table issued and required.

EU REACH SVHC

REACH candidate substance (CAS No.)	No substance above 0.1 wt%
-------------------------------------	----------------------------

Phoenix Contact 2026 © - all rights reserved
<https://www.phoenixcontact.com>

Phoenix Contact USA
586 Fulling Mill Road
Middletown, PA 17057, United States
(+717) 944-1300
info@phoenixcon.com