

PROT-M12 VPE100 - Screw plug



1695744

<https://www.phoenixcontact.com/us/products/1695744>

Please be informed that the data shown in this PDF document is generated from our online catalog. Please find the complete data in the user documentation. Our general terms of use for downloads are valid.



An M12 screw plug for the unoccupied M12 sockets of the sensor/actuator cable, boxes and flush-type connectors, unit pack containing 100 pieces

Your advantages

- Reliable protection of unoccupied slots during transport and use in the field
- Protected against splash water and dust
- Easy assembly using a screwdriver

Commercial data

Item number	1695744
Packing unit	100 pc
Minimum order quantity	100 pc
Sales key	BF46
Product key	AF3ZAX
GTIN	4017918593339
Weight per piece (including packing)	1.77 g
Weight per piece (excluding packing)	0.845 g
Customs tariff number	39269097
Country of origin	DE

PROT-M12 VPE100 - Screw plug

1695744

<https://www.phoenixcontact.com/us/products/1695744>

Technical data

Notes

Note on application	Also suitable for M12 push-pull.
---------------------	----------------------------------

Product properties

Product type	Plug for cable screw gland
Thread type	M12

Connection data

Tightening torque	0.4 Nm
-------------------	--------

Dimensions

Dimensional drawing	
Diameter	15 mm

Material specifications

Material	PA
Flammability rating according to UL 94	V0

Environmental and real-life conditions

Ambient conditions

Degree of protection	IP67
----------------------	------

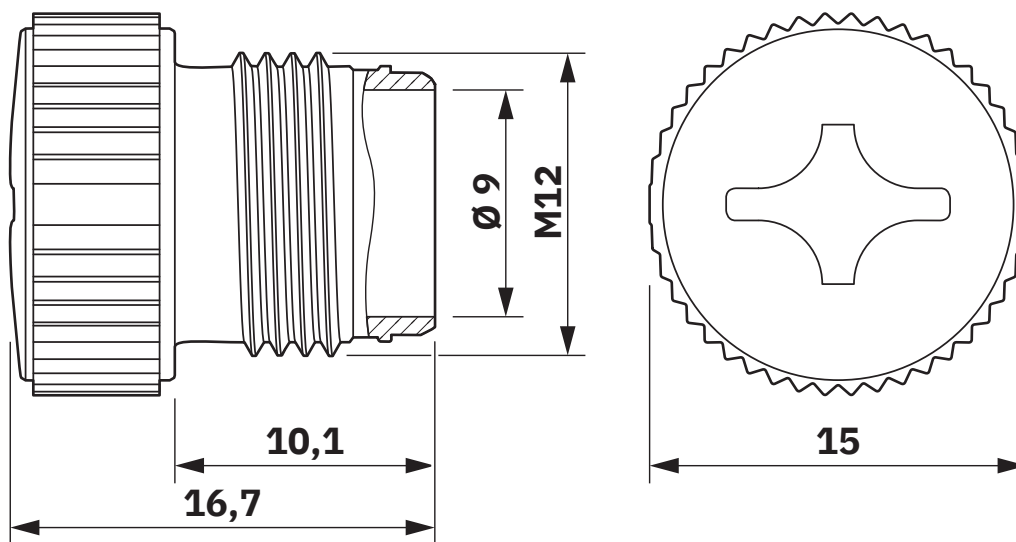
PROT-M12 VPE100 - Screw plug

1695744

<https://www.phoenixcontact.com/us/products/1695744>

Drawings

Dimensional drawing



PROT-M12 VPE100 - Screw plug



1695744

<https://www.phoenixcontact.com/us/products/1695744>

Approvals

To download certificates, visit the product detail page: <https://www.phoenixcontact.com/us/products/1695744>



UL Recognized

Approval ID: E240868

PROT-M12 VPE100 - Screw plug



1695744

<https://www.phoenixcontact.com/us/products/1695744>

Classifications

ECLASS

ECLASS-13.0	23111190
ECLASS-15.0	27440192

ETIM

ETIM 10.0	EC002374
-----------	----------

UNSPSC

UNSPSC 21.0	31261500
-------------	----------

PROT-M12 VPE100 - Screw plug



1695744

<https://www.phoenixcontact.com/us/products/1695744>

Environmental product compliance

EU RoHS

Fulfills EU RoHS substance requirements	Yes, No exemptions
---	--------------------

China RoHS

Environment friendly use period (EFUP)	EFUP-E
	No hazardous substances above the limits

EU REACH SVHC

REACH candidate substance (CAS No.)	No substance above 0.1 wt%
-------------------------------------	----------------------------

Phoenix Contact 2026 © - all rights reserved
<https://www.phoenixcontact.com>

Phoenix Contact USA
586 Fulling Mill Road
Middletown, PA 17057, United States
(+717) 944-1300
info@phoenixcon.com