

SACB-4/ 4-L-10,0PUR - Distributor box



1695058

<https://www.phoenixcontact.com/us/products/1695058>

Please be informed that the data shown in this PDF document is generated from our online catalog. Please find the complete data in the user documentation. Our general terms of use for downloads are valid.



Distributor box, connection method: M12 socket Plastic, number of slots: 4, number of positions: 4, coding: A, slot assignment: single, status display: yes, PNP; master cable connection: Fixed connection 180°, PUR/PVC, cable length: 10 m, shielding: no

The figure shows a version with 8 slots and connected master cable

Your advantages

- Safety in the field, thanks to robust housing and high degree of protection
- Convenient: increased machine availability thanks to quick and easy diagnostics

Commercial data

| | |
|--------------------------------------|--------------------------------|
| Item number | 1695058 |
| Packing unit | 1 pc |
| Note | Made to order (non-returnable) |
| Sales key | NULL |
| Product key | AF3CBA |
| GTIN | 4017918177560 |
| Weight per piece (including packing) | 828 g |
| Weight per piece (excluding packing) | 828 g |
| Customs tariff number | 85444290 |
| Country of origin | PL |

SACB-4/ 4-L-10,0PUR - Distributor box



1695058

<https://www.phoenixcontact.com/us/products/1695058>

Technical data

Product properties

| | |
|---------------------|-----------------|
| Product type | Distributor box |
| Number of positions | 4 |
| Number of slots | 4 |
| Coding | A |
| LED | yes |

System properties

Local diagnostics

| | |
|------------------------|----------------|
| Monitored function | Supply voltage |
| Optical representation | Green LED |

Electrical properties

| | |
|---|-------------------------------|
| Max. operating voltage U_{max} | 30 V DC |
| Local diagnostics | Supply voltage Green LED |
| | Status display I/O Yellow LED |
| Nominal voltage U_N | 24 V DC |
| Rated current, total | 12 A |
| Max. current carrying capacity per path | 2 A |
| Current carrying capacity per slot | 4 A |

Connection data

Conductor connection

| | |
|--|------------|
| Sensor/actuator connection system | M12 socket |
| Tightening torque slot sensor/actuator cable | 0.4 Nm |

Connection assignment

| | |
|--|-----------------------|
| Slot/position = Wire color or connection | 1 / 4 (A) = WH |
| | 2 / 4 (A) = GN |
| | 3 / 4 (A) = YE |
| | 4 / 4 (A) = GY |
| | 1-4 / 1 (+ 24 V) = BN |
| | 1-4 / 3 (0 V) = BU |
| | 1-4 / 5 (PE) = GNYE |

Signaling

| | |
|------------------------|-----|
| Status display present | yes |
|------------------------|-----|

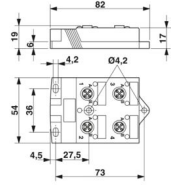
Dimensions

SACB-4/ 4-L-10,0PUR - Distributor box



1695058

<https://www.phoenixcontact.com/us/products/1695058>

| | |
|---------------------|--|
| Dimensional drawing |  |
| Width | 54 mm |
| Height | 19 mm |
| Length | 82 mm |

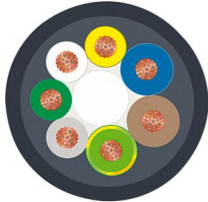
Material specifications

| | |
|--|-------|
| Material Threaded sleeve | PA |
| Material Housing | PA |
| Flammability rating according to UL 94 | V0 |
| Seal material O-ring | NBR |
| Contact material | CuSn |
| Contact surface material | Ni/Au |
| Contact carrier material | PA |

Cable/line

| | |
|--------------|------|
| Cable length | 10 m |
|--------------|------|

PUR/PVC black [PUR]

| | |
|-------------------------------------|--|
| Dimensional drawing |  |
| Cable weight | 77.9 kg/km |
| UL AWM Style | 20549 |
| Number of positions | 7 |
| Shielded | no |
| Cable type | PUR/PVC black [PUR] |
| Conductor structure signal line | 19x 0.15 mm |
| AWG signal line | 22 |
| Conductor structure, voltage supply | 42x 0.15 mm |
| AWG power supply | 18 |
| Conductor cross-section | 4x 0.34 mm ² (Signal line) 3x 0.75 mm ² (power line) |
| Wire diameter incl. insulation | 1.3 mm ±0.1 mm (Signal line) 1.8 mm ±0.1 mm (power line) |

SACB-4/ 4-L-10,0PUR - Distributor box



1695058

<https://www.phoenixcontact.com/us/products/1695058>

| | |
|---|---|
| External cable diameter | 6.90 mm ±0.2 mm |
| Outer sheath, material | PUR |
| External sheath, color | black RAL 9005 |
| Conductor material | Bare Cu litz wires |
| Material wire insulation | PVC |
| Single wire, color | brown, blue, green/yellow, white, green, yellow, gray |
| Inner sheath thickness | ≥ 0.15 mm |
| Thickness, outer sheath | ≥ 0.38 mm |
| Overall twist | Wires twisted in layers |
| Nominal voltage, cable | 300 V |
| Test voltage | 2000 V |
| Minimum bending radius, fixed installation | 7.5 x D |
| Minimum bending radius, flexible installation | 10 x D |
| Smallest bending radius, fixed installation | 52 mm |
| Smallest bending radius, movable installation | 69 mm |
| Dynamic load capacity (bending) | Max. bending cycles: 1500000, Bending radius: 69 mm, Traversing path: 2 m, Traversing rate: 2 m/s |
| Flame resistance | DIN EN 50265 |
| Resistance to oil | according to VDE 0472 Part 803 |
| Other resistance | Highly resistant to acids, alkaline solutions and solvents |
| Special properties | Silicone-free |
| Ambient temperature (operation) | -40 °C ... 90 °C (cable, fixed installation) -5 °C ... 80 °C (Cable, flexible installation) 80 °C (in acc. with UL) |

Environmental and real-life conditions

Ambient conditions

| | |
|---------------------------------|------------------|
| Degree of protection | IP65 IP67 |
| Ambient temperature (operation) | -25 °C ... 75 °C |

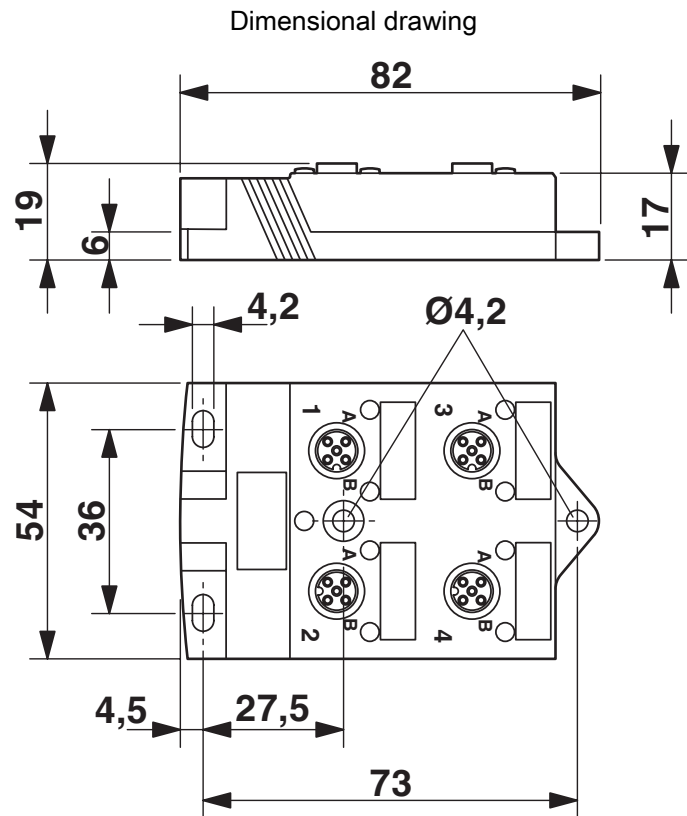
SACB-4/ 4-L-10,0PUR - Distributor box

1695058

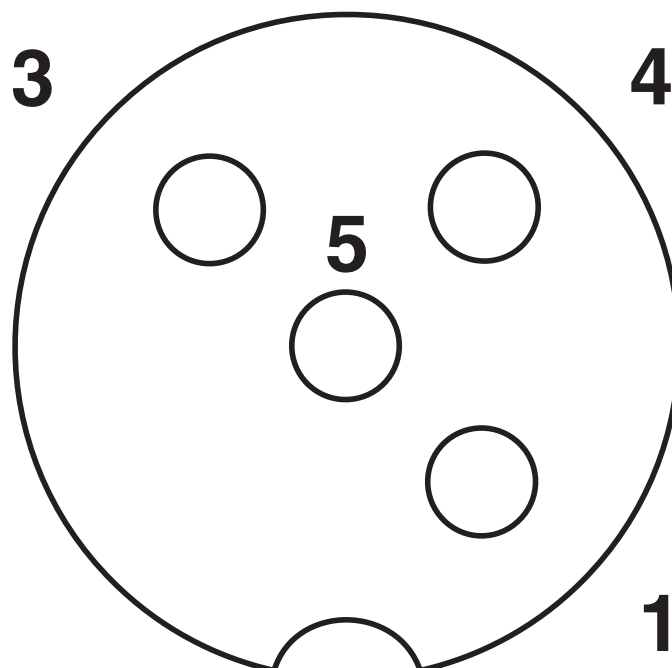
<https://www.phoenixcontact.com/us/products/1695058>



Drawings



Schematic diagram



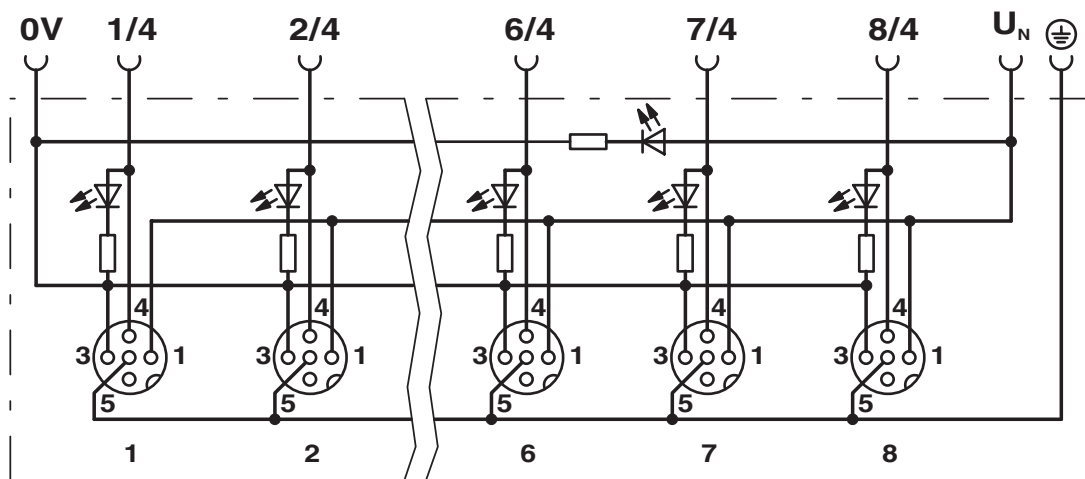
M12 slot, socket, 4-pos.

SACB-4/ 4-L-10,0PUR - Distributor box

1695058

<https://www.phoenixcontact.com/us/products/1695058>

Circuit diagram



SACB-4/ 4-L-10,0PUR - Distributor box



1695058

<https://www.phoenixcontact.com/us/products/1695058>

Classifications

ECLASS

| | |
|-------------|----------|
| ECLASS-13.0 | 27440108 |
| ECLASS-15.0 | 27440108 |

SACB-4/ 4-L-10,0PUR - Distributor box



1695058

<https://www.phoenixcontact.com/us/products/1695058>

Environmental product compliance

EU REACH SVHC

| REACH candidate substance (CAS No.) | No substance above 0.1 wt% |
|-------------------------------------|----------------------------|
|-------------------------------------|----------------------------|

Phoenix Contact 2026 © - all rights reserved

<https://www.phoenixcontact.com>

Phoenix Contact USA
586 Fulling Mill Road
Middletown, PA 17057, United States
(+717) 944-1300
info@phoenixcon.com