

SAC-3P-M12FR2L/8-PUR/M12FR2LVW - Sensor/actuator cable



1693872

<https://www.phoenixcontact.com/us/products/1693872>

Please be informed that the data shown in this PDF document is generated from our online catalog. Please find the complete data in the user documentation. Our general terms of use for downloads are valid.



Sensor/actuator cable, 3-position, PUR halogen-free, irradiated, orange RAL 2003, Socket angled M12, coding: A, with 2 LEDs, on Socket angled M12, coding: A, with 2 LEDs, cable length: 8 m

As illustrated but with 2 x angled female connector

Commercial data

Item number	1693872
Packing unit	1 pc
Minimum order quantity	1 pc
Sales key	02
Product key	AF1CBA
GTIN	4017918481803
Weight per piece (including packing)	221.84 g
Weight per piece (excluding packing)	220.1 g
Country of origin	PL

SAC-3P-M12FR2L/8-PUR/M12FR2LVW - Sensor/actuator cable



1693872

<https://www.phoenixcontact.com/us/products/1693872>

Technical data

Product properties

Product type	Sensor/actuator cable
Number of positions	3
No. of cable outlets	1
Shielded	no
Coding	A

Material specifications

Contact material	CuSn
Contact surface material	Ni/Au
Contact carrier material	TPU

Electrical properties

Rated voltage in acc. with IEC 61076-2-101	24 V
Nominal voltage U_N	24 V
Nominal current I_N	4 A

Mechanical properties

Mechanical data

Insertion/withdrawal cycles	≥ 100
-----------------------------	------------

Signaling

Status display	2 LEDs
Status display present	yes

Connector

Connection 1

Type	Socket angled M12
Number of positions	3
Coding type	A

Connection 2

Type	Socket angled M12
Number of positions	3
Coding type	A

Cable/line

Cable length	8 m
--------------	-----

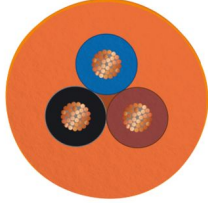
PUR irradiated halogen-free orange [150]

SAC-3P-M12FR2L/8-PUR/M12FR2LVW - Sensor/actuator cable



1693872

<https://www.phoenixcontact.com/us/products/1693872>

Dimensional drawing	
Number of positions	3
Shielded	no
Cable type	PUR irradiated halogen-free orange [150]
Conductor structure signal line	42x 0.10 mm
AWG signal line	22
Conductor cross-section	3x 0.34 mm ² (Signal line)
Wire diameter incl. insulation	1.05 mm ±0.05 mm (Signal line)
External cable diameter	4.40 mm ±0.2 mm
Outer sheath, material	PUR
External sheath, color	orange RAL 2003
Conductor material	Bare Cu litz wires
Material wire insulation	PE
Single wire, color	brown, blue, black
Overall twist	3 wires, twisted
Max. conductor resistance	max. 57 Ω/km
Nominal voltage, cable	250 V (AC)
Test voltage	2000 V (50 Hz, 5 minutes)
Smallest bending radius, fixed installation	13.5 mm
Smallest bending radius, movable installation	53 mm
Dynamic load capacity (bending)	Max. bending cycles: 5000000, Bending radius: 44 mm, Traversing path: 10 m, Traversing rate: 3 m/s, Acceleration: 10 m/s ²
Flame resistance	according to DIN VDE 0472 Part 804
Other resistance	UV resistant
Special properties	Silicone-free Irradiated
Ambient temperature (operation)	-50 °C ... 105 °C (cable, fixed installation) -40 °C ... 105 °C (Cable, flexible installation)

Environmental and real-life conditions

Ambient conditions

Ambient temperature (operation)	-25 °C ... 90 °C (Plug / socket)
	-50 °C ... 105 °C (cable, fixed installation)
	-40 °C ... 105 °C (Cable, flexible installation)

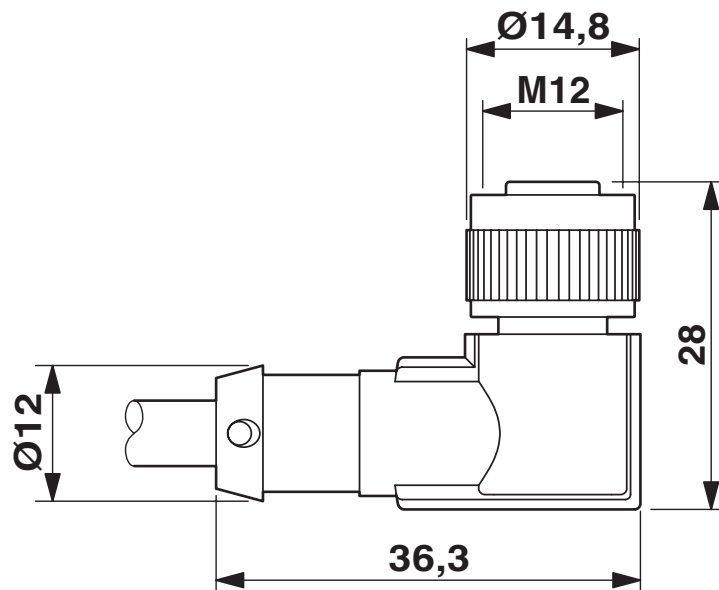
SAC-3P-M12FR2L/8-PUR/M12FR2LVW - Sensor/actuator cable

1693872

<https://www.phoenixcontact.com/us/products/1693872>

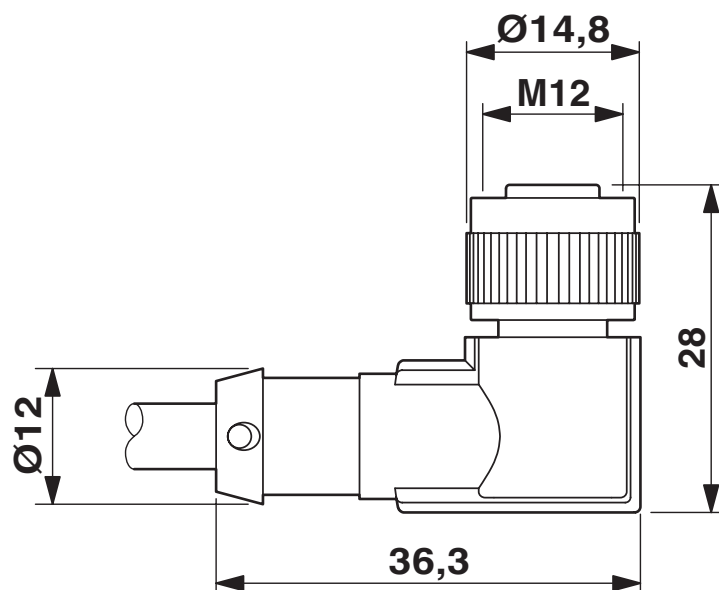
Drawings

Dimensional drawing



M12 x 1 socket, angled

Dimensional drawing



M12 x 1 socket, angled

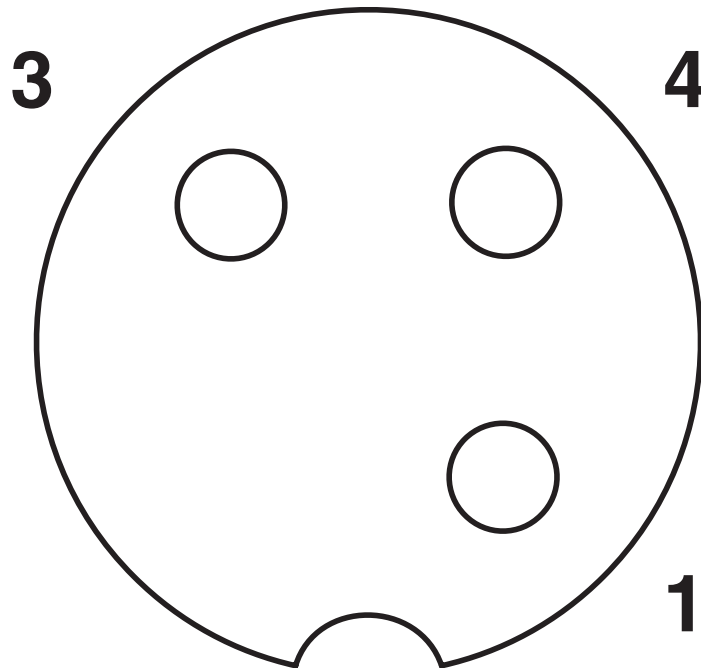
SAC-3P-M12FR2L/8-PUR/M12FR2LVW - Sensor/actuator cable



1693872

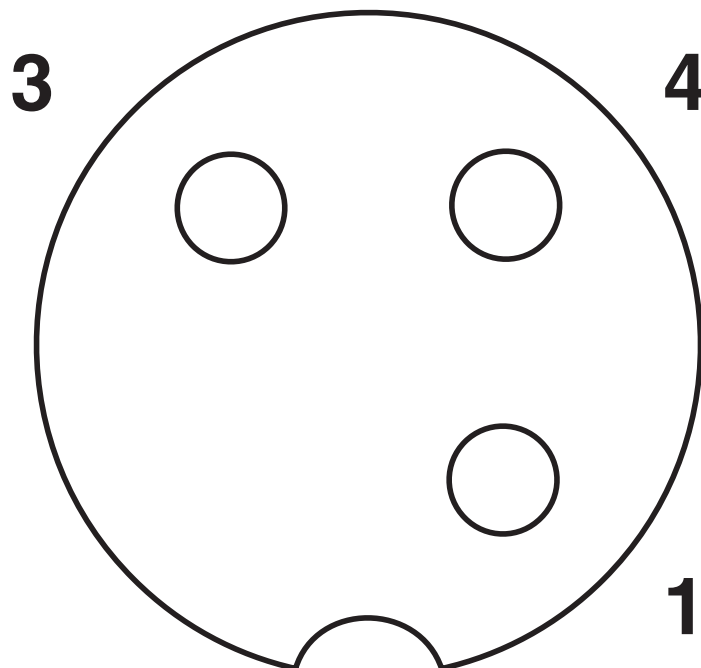
<https://www.phoenixcontact.com/us/products/1693872>

Schematic diagram



Pin assignment M12 socket, 3-pos.

Schematic diagram



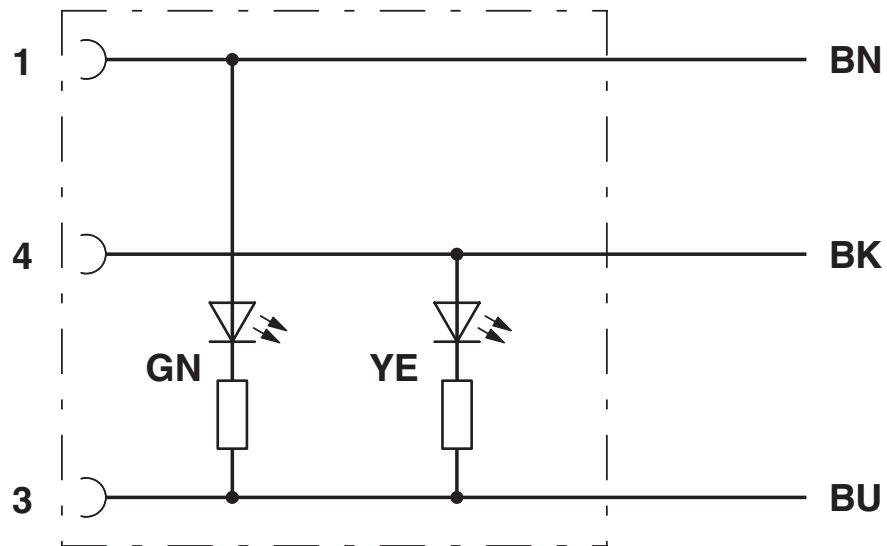
Pin assignment M12 socket, 3-pos.

SAC-3P-M12FR2L/8-PUR/M12FR2LVW - Sensor/actuator cable

1693872

<https://www.phoenixcontact.com/us/products/1693872>

Circuit diagram



Contact assignment of the M12 plug and the M12 socket

SAC-3P-M12FR2L/8-PUR/M12FR2LVW - Sensor/actuator cable





1693872

<https://www.phoenixcontact.com/us/products/1693872>

Approvals

To download certificates, visit the product detail page: <https://www.phoenixcontact.com/us/products/1693872>

 UL Listed Approval ID: FILE E 221474				
	Nominal voltage U_N	Nominal current I_N	Cross section AWG	Cross section mm^2
keine				
	24 V	4 A	-	-

 cUL Listed Approval ID: FILE E 221474				
	Nominal voltage U_N	Nominal current I_N	Cross section AWG	Cross section mm^2
keine				
	24 V	4 A	-	-

 EAC-RoHS Approval ID: RU D-DE.HB35.B.00387	
--	--

SAC-3P-M12FR2L/8-PUR/M12FR2LVW - Sensor/actuator cable



1693872

<https://www.phoenixcontact.com/us/products/1693872>

Classifications

ECLASS

ECLASS-13.0	27060311
ECLASS-15.0	27060311

ETIM

ETIM 10.0	EC001855
-----------	----------

UNSPSC

UNSPSC 21.0	26121600
-------------	----------

SAC-3P-M12FR2L/8-PUR/M12FR2LVW - Sensor/actuator cable



1693872

<https://www.phoenixcontact.com/us/products/1693872>

Environmental product compliance

EU RoHS

Fulfills EU RoHS substance requirements	Yes, No exemptions
---	--------------------

China RoHS

Environment friendly use period (EFUP)	EFUP-E
	No hazardous substances above the limits

EU REACH SVHC

REACH candidate substance (CAS No.)	No substance above 0.1 wt%
-------------------------------------	----------------------------

EF3.1 Climate Change

CO2e kg	29.929 kg CO2e
---------	----------------

Phoenix Contact 2026 © - all rights reserved
<https://www.phoenixcontact.com>

Phoenix Contact USA
586 Fulling Mill Road
Middletown, PA 17057, United States
(+717) 944-1300
info@phoenixcon.com