

SAC-3P-M12FR/ 8,0-PUR/M12FR VW - Sensor/actuator cable



1693856

<https://www.phoenixcontact.com/us/products/1693856>

Please be informed that the data shown in this PDF document is generated from our online catalog. Please find the complete data in the user documentation. Our general terms of use for downloads are valid.



Sensor/actuator cable, 3-position, PUR halogen-free, irradiated, orange RAL 2003, Socket angled M12, coding: A, on Socket angled M12, coding: A, cable length: 8 m

Commercial data

Item number	1693856
Packing unit	5 pc
Minimum order quantity	1 pc
Sales key	02
Product key	AF1CBA
GTIN	4017918481827
Weight per piece (including packing)	236.98 g
Weight per piece (excluding packing)	236.98 g
Country of origin	PL

SAC-3P-M12FR/ 8,0-PUR/M12FR VW - Sensor/actuator cable



1693856

<https://www.phoenixcontact.com/us/products/1693856>

Technical data

Product properties

Product type	Sensor/actuator cable
Number of positions	3
No. of cable outlets	1
Shielded	no
Coding	A

Insulation characteristics

Overvoltage category	II
Degree of pollution	3

Material specifications

Contact material	CuSn
Contact surface material	Ni/Au
Contact carrier material	TPU

Electrical properties

Rated voltage in acc. with IEC 61076-2-101	250 V
Nominal voltage U_N	250 V AC
	250 V DC
Nominal current I_N	4 A

Mechanical properties

Mechanical data

Insertion/withdrawal cycles	≥ 100
-----------------------------	------------

Signaling

Status display present	no
------------------------	----

Connection data

Conductor connection

Tightening torque	0.4 Nm
-------------------	--------

Connector

Connection 1

Type	Socket angled M12
Number of positions	3
Coding type	A

Connection 2

SAC-3P-M12FR/ 8,0-PUR/M12FR VW - Sensor/actuator cable



1693856

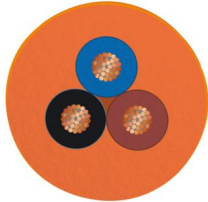
<https://www.phoenixcontact.com/us/products/1693856>

Type	Socket angled M12
Number of positions	3
Coding type	A

Cable/line

Cable length	8 m
--------------	-----

PUR irradiated halogen-free orange [150]

Dimensional drawing	
Number of positions	3
Shielded	no
Cable type	PUR irradiated halogen-free orange [150]
Conductor structure signal line	42x 0.10 mm
AWG signal line	22
Conductor cross-section	3x 0.34 mm ² (Signal line)
Wire diameter incl. insulation	1.05 mm ±0.05 mm (Signal line)
External cable diameter	4.40 mm ±0.2 mm
Outer sheath, material	PUR
External sheath, color	orange RAL 2003
Conductor material	Bare Cu litz wires
Material wire insulation	PE
Single wire, color	brown, blue, black
Overall twist	3 wires, twisted
Max. conductor resistance	max. 57 Ω/km
Nominal voltage, cable	250 V (AC)
Test voltage	2000 V (50 Hz, 5 minutes)
Smallest bending radius, fixed installation	13.5 mm
Smallest bending radius, movable installation	53 mm
Dynamic load capacity (bending)	Max. bending cycles: 5000000, Bending radius: 44 mm, Traversing path: 10 m, Traversing rate: 3 m/s, Acceleration: 10 m/s ²
Flame resistance	according to DIN VDE 0472 Part 804
Other resistance	UV resistant
Special properties	Silicone-free Irradiated
Ambient temperature (operation)	-50 °C ... 105 °C (cable, fixed installation)

SAC-3P-M12FR/ 8,0-PUR/M12FR VW - Sensor/actuator cable



1693856

<https://www.phoenixcontact.com/us/products/1693856>

	-40 °C ... 105 °C (Cable, flexible installation)
--	--

Environmental and real-life conditions

Ambient conditions

Degree of protection	IP65
	IP67
Ambient temperature (operation)	-25 °C ... 90 °C (Plug / socket)
	-50 °C ... 105 °C (cable, fixed installation)
	-40 °C ... 105 °C (Cable, flexible installation)

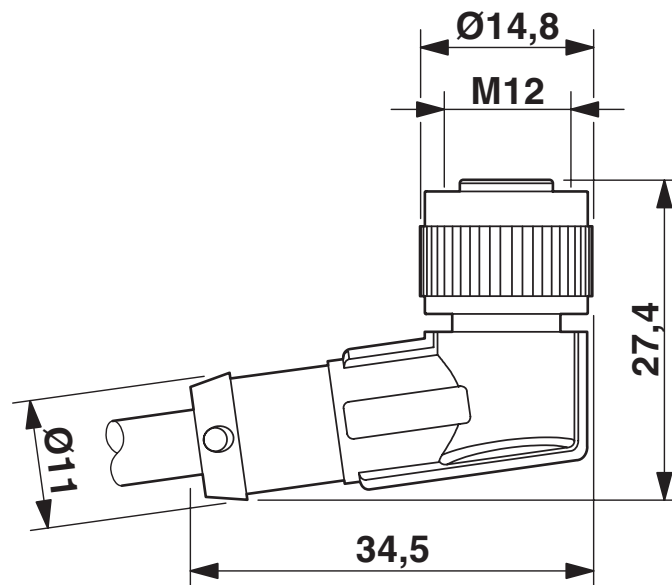
SAC-3P-M12FR/ 8,0-PUR/M12FR VW - Sensor/actuator cable

1693856

<https://www.phoenixcontact.com/us/products/1693856>

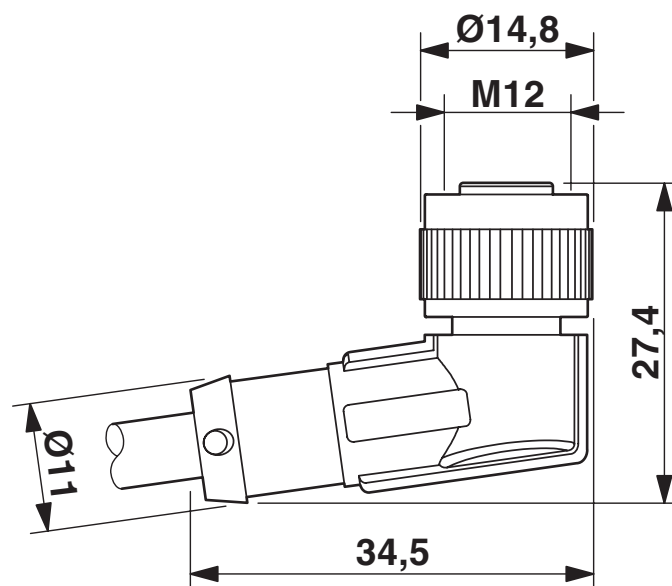
Drawings

Dimensional drawing



M12 x 1 socket, angled

Dimensional drawing



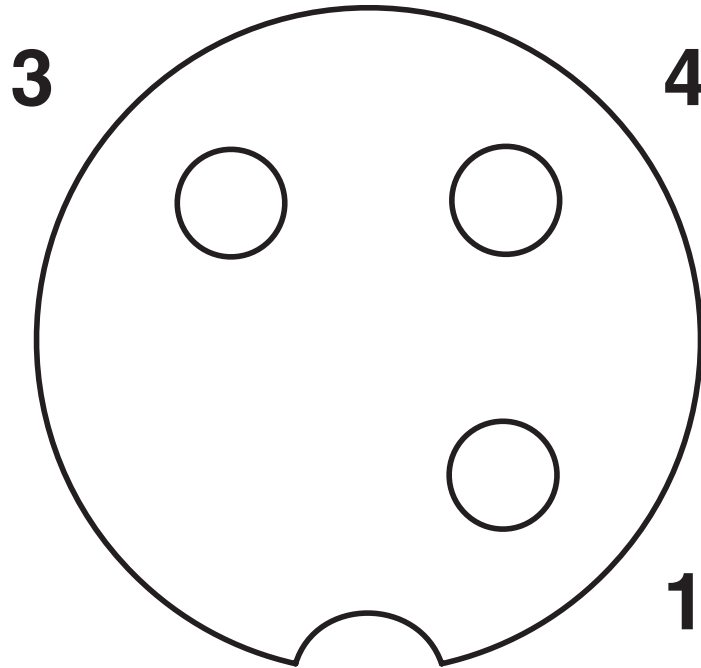
M12 x 1 socket, angled

SAC-3P-M12FR/ 8,0-PUR/M12FR VW -
Sensor/actuator cable

1693856

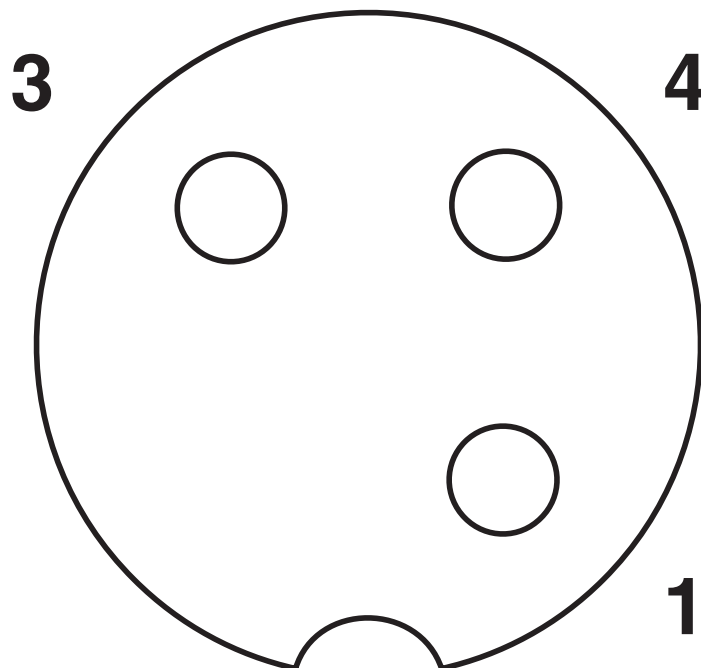
<https://www.phoenixcontact.com/us/products/1693856>

Schematic diagram



Pin assignment M12 socket, 3-pos.

Schematic diagram



Pin assignment M12 socket, 3-pos.

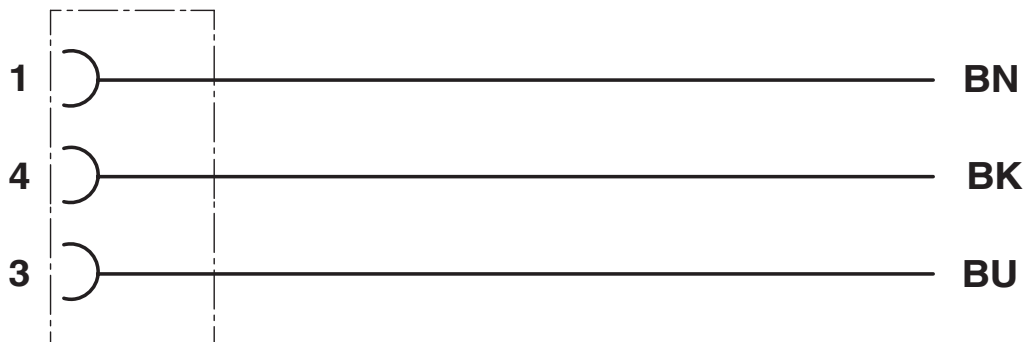
SAC-3P-M12FR/ 8,0-PUR/M12FR VW - Sensor/actuator cable



1693856

<https://www.phoenixcontact.com/us/products/1693856>

Circuit diagram



SAC-3P-M12FR/ 8,0-PUR/M12FR VW - Sensor/actuator cable



1693856

<https://www.phoenixcontact.com/us/products/1693856>

Classifications

ECLASS

ECLASS-13.0	27060311
ECLASS-15.0	27060311

UNSPSC

UNSPSC 21.0	31251501
-------------	----------

SAC-3P-M12FR/ 8,0-PUR/M12FR VW - Sensor/actuator cable



1693856

<https://www.phoenixcontact.com/us/products/1693856>

Environmental product compliance

EU RoHS

Fulfills EU RoHS substance requirements	Yes, No exemptions
---	--------------------

China RoHS

Environment friendly use period (EFUP)	EFUP-E
	No hazardous substances above the limits

EU REACH SVHC

REACH candidate substance (CAS No.)	No substance above 0.1 wt%
-------------------------------------	----------------------------

Phoenix Contact 2026 © - all rights reserved
<https://www.phoenixcontact.com>

Phoenix Contact USA
586 Fulling Mill Road
Middletown, PA 17057, United States
(+717) 944-1300
info@phoenixcon.com