

SACC-M12MR-5CON-PG 7-SH - Connector



1693429

<https://www.phoenixcontact.com/us/products/1693429>

Please be informed that the data shown in this PDF document is generated from our online catalog. Please find the complete data in the user documentation. Our general terms of use for downloads are valid.

Connector, Universal, 5-position, shielded, Plug angled M12, coding: A, Screw connection, knurl material: Brass, nickel-plated, cable gland Pg7, external cable diameter 4 mm ... 6 mm



Your advantages

- Safe use in the field, thanks to a high degree of protection
- Screw connection: proven connection technology for a large selection of different conductors
- Reliable signal transmission – 360° shielding in environments with electromagnetic interference

Commercial data

| | |
|--------------------------------------|---------------|
| Item number | 1693429 |
| Packing unit | 1 pc |
| Minimum order quantity | 1 pc |
| Sales key | BF30 |
| Product key | AF2CBA |
| GTIN | 4017918173524 |
| Weight per piece (including packing) | 68.9 g |
| Weight per piece (excluding packing) | 71.9 g |
| Customs tariff number | 85366990 |
| Country of origin | CN |

SACC-M12MR-5CON-PG 7-SH - Connector



1693429

<https://www.phoenixcontact.com/us/products/1693429>

Technical data

Notes

| | |
|---------------|---|
| Assembly note | NOTE: Observe the permissible bending radii when routing cables, since the degree of protection may be at risk if the bending forces are too high. Reduce mechanical loads upstream of the connector, e.g., by using cable ties. |
|---------------|---|

Mounting

| | |
|---------------|---|
| Assembly note | The connector pin assignment can be rotated 90° to the cable outlet |
|---------------|---|

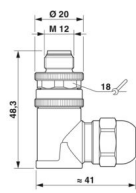
Product properties

| | |
|----------------------|---------------------------------|
| Product type | Circular connector (cable-side) |
| Sensor type | Universal |
| Number of positions | 5 |
| No. of cable outlets | 1 |
| Shielded | yes |
| Coding | A |
| Cable outlet | angled |
| Pg screw connection | Pg7 |

Insulation characteristics

| | |
|----------------------|----|
| Overvoltage category | II |
| Degree of pollution | 3 |

Dimensions

| | |
|---------------------|--|
| Dimensional drawing |  |
| Length | 48.3 mm |

External dimensions

| | |
|------------------|---------------|
| Outside diameter | 4 mm ... 6 mm |
|------------------|---------------|

Housing

| | |
|------------------|-------|
| Diameter housing | 20 mm |
|------------------|-------|

Material specifications

| | |
|--|----------------------|
| Flammability rating according to UL 94 | HB |
| Seal material | NBR |
| Material of grip body | Brass, nickel-plated |
| Contact material | CuZn |

SACC-M12MR-5CON-PG 7-SH - Connector



1693429

<https://www.phoenixcontact.com/us/products/1693429>

| | |
|-------------------------------|----------------------|
| Contact surface material | Au |
| Contact carrier material | PA |
| Material for screw connection | Brass, nickel-plated |

Connection data

Conductor connection

| | |
|---|---|
| Connection method | Screw connection |
| Connection cross section | 0.25 mm ² ... 0.75 mm ² (without ferrule) |
| | 0.14 mm ² ... 0.5 mm ² (with ferrule) |
| | 0.25 mm ² ... 0.75 mm ² (solid) |
| Connection cross section AWG | 24 ... 18 (without ferrule) |
| | 26 ... 20 (with ferrule) |
| Stripping length of the individual wire | 5 mm |
| Tightening torque | 0.4 Nm (M12 knurl) |
| | 0.2 Nm (Screw terminal blocks) |
| | 1 Nm (Pressure nut with coupling sleeve) |

Electrical properties

| | |
|--------------------------------|----------|
| Rated surge voltage | 1.5 kV |
| Contact resistance | ≤ 3 mΩ |
| Insulation resistance | ≥ 100 MΩ |
| Nominal voltage U _N | 48 V AC |
| | 60 V DC |
| Nominal current I _N | 4 A |

Mechanical properties

Mechanical data

| | |
|-----------------------------|-------|
| Insertion/withdrawal cycles | ≥ 100 |
|-----------------------------|-------|

Connector

Connection 1

| | |
|-------------------|--------|
| Head design | Plug |
| Head cable outlet | angled |
| Head thread type | M12 |
| Coding | A |

Cable/line

| | |
|---|-----------|
| Signal type/category | Universal |
| Stripping length of the individual wire | 5 mm |

Environmental and real-life conditions

Ambient conditions

| | |
|----------------------|------|
| Degree of protection | IP67 |
|----------------------|------|

SACC-M12MR-5CON-PG 7-SH - Connector



1693429

<https://www.phoenixcontact.com/us/products/1693429>

| | |
|---|----------------------------------|
| Ambient temperature (operation) (male connector/female connector) | -40 °C ... 85 °C (Plug / socket) |
|---|----------------------------------|

Standards and regulations

M12

| | |
|--------------------------|-----------------|
| Standard designation | M12 connector |
| Standards/specifications | IEC 61076-2-101 |

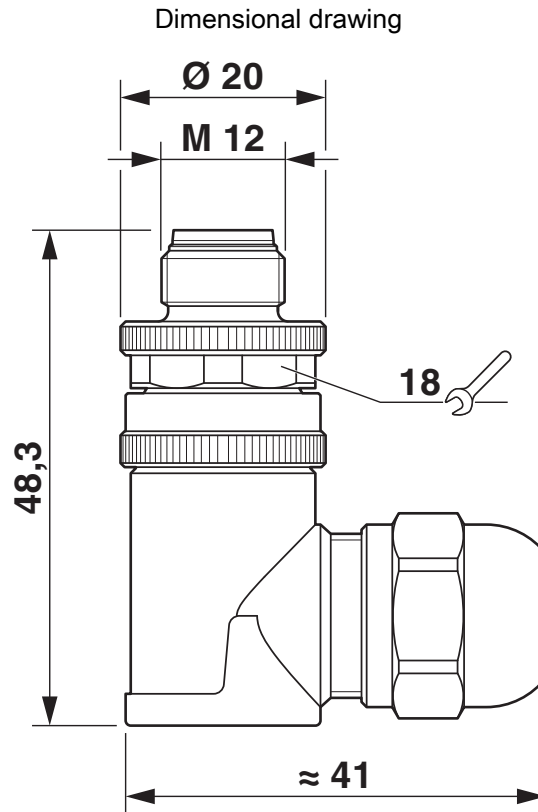
SACC-M12MR-5CON-PG 7-SH - Connector



1693429

<https://www.phoenixcontact.com/us/products/1693429>

Drawings



M12 x 1 male plug, angled, shielded

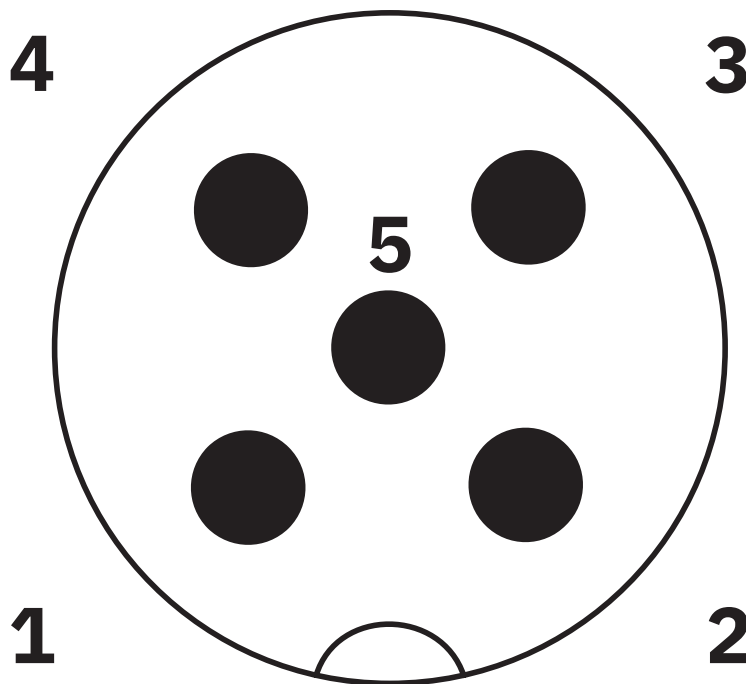
SACC-M12MR-5CON-PG 7-SH - Connector



1693429

<https://www.phoenixcontact.com/us/products/1693429>

Schematic diagram



Pin assignment M12 male connector, 5-pos., A-coded, male side

SACC-M12MR-5CON-PG 7-SH - Connector





1693429

<https://www.phoenixcontact.com/us/products/1693429>

Approvals

To download certificates, visit the product detail page: <https://www.phoenixcontact.com/us/products/1693429>

|  cUL Recognized Approval ID: FILE E 221474 | | | | |
|---|-----------------------|-----------------------|-------------------|-----------------------------|
| | Nominal voltage U_N | Nominal current I_N | Cross section AWG | Cross section mm^2 |
| keine | | | | |
| | 60 V | 4 A | - | - |

|  UL Recognized Approval ID: FILE E 221474 | | | | |
|--|-----------------------|-----------------------|-------------------|-----------------------------|
| | Nominal voltage U_N | Nominal current I_N | Cross section AWG | Cross section mm^2 |
| keine | | | | |
| | 60 V | 4 A | - | - |

SACC-M12MR-5CON-PG 7-SH - Connector



1693429

<https://www.phoenixcontact.com/us/products/1693429>

Classifications

ECLASS

| | |
|-------------|----------|
| ECLASS-13.0 | 27440116 |
| ECLASS-15.0 | 27440116 |

ETIM

| | |
|-----------|----------|
| ETIM 10.0 | EC002635 |
|-----------|----------|

UNSPSC

| | |
|-------------|----------|
| UNSPSC 21.0 | 39121400 |
|-------------|----------|

1693429

<https://www.phoenixcontact.com/us/products/1693429>

Environmental product compliance

EU RoHS

| | |
|---|------|
| Fulfills EU RoHS substance requirements | Yes |
| Exemption | 6(c) |

China RoHS

| | |
|--|---|
| Environment friendly use period (EFUP) | EFUP-50 |
| | An article-related China RoHS declaration table can be found in the download area for the respective article under "Manufacturer declaration". For all articles with EFUP-E, no China RoHS declaration table issued and required. |

EU REACH SVHC

| | |
|-------------------------------------|--------------------------------------|
| REACH candidate substance (CAS No.) | Lead(CAS: 7439-92-1) |
| SCIP | a09a9485-3bb8-41c1-aa31-3621eabfec29 |

EF3.1 Climate Change

| | |
|---------|---------------|
| CO2e kg | 1.014 kg CO2e |
|---------|---------------|

Phoenix Contact 2026 © - all rights reserved
<https://www.phoenixcontact.com>

Phoenix Contact USA
586 Fulling Mill Road
Middletown, PA 17057, United States
(+717) 944-1300
info@phoenixcon.com