

SACB-4/ 8-C - Distributor box

1692860

<https://www.phoenixcontact.com/us/products/1692860>

Please be informed that the data shown in this PDF document is generated from our online catalog. Please find the complete data in the user documentation. Our general terms of use for downloads are valid.



The figure shows a version with 8 slots

Distributor box, connection method: M12 socket Plastic, number of slots: 4, number of positions: 5, coding: A, slot assignment: Double, status display: no, Universal; master cable connection: Pluggable screw connection 180°, shielding: no

Your advantages

- Safety in the field, thanks to robust housing and high degree of protection
- Save space: distributor box with double occupancy for two sensors in one slot
- Flexible: distributor box with connector hood for on-site assembly

Commercial data

Item number	1692860
Packing unit	1 pc
Note	Made to order (non-returnable)
Sales key	NULL
Product key	AF3CBD
GTIN	4017918178055
Weight per piece (including packing)	156.1 g
Weight per piece (excluding packing)	119.32 g
Customs tariff number	85444290
Country of origin	PL

SACB-4/ 8-C - Distributor box



1692860

<https://www.phoenixcontact.com/us/products/1692860>

Technical data

Product properties

Product type	Distributor box
Number of positions	5
Number of slots	4
Coding	A
LED	no

Electrical properties

Max. operating voltage U_{max}	135 V
Nominal voltage U_N	120 V
Rated current, total	10 A 2x 8 A (For electrical isolation)
Max. current carrying capacity per path	2 A
Current carrying capacity per slot	4 A

Connection data

Conductor connection

Sensor/actuator connection system	M12 socket
Conductor cross-section Flexible signal line	0.14 mm ² ... 1.5 mm ²
Conductor cross-section Flexible power supply	0.14 mm ² ... 1.5 mm ²
Connection cross section AWG Flexible signal line	26 ... 16
Connection cross section AWG Flexible power supply	26 ... 16
Stripping length Signal line	7 mm
Tightening torque slot sensor/actuator cable	0.4 Nm
Tightening torque, union nut	2.5 Nm

Connection assignment

Slot/position = Wire color or connection	1 / 4 (A) = 1 / 4
	1 / 2 (B) = 1 / 2
	2 / 4 (A) = 2 / 4
	2 / 2 (B) = 2 / 2
	3 / 4 (A) = 3 / 4
	3 / 2 (B) = 3 / 2
	4 / 4 (A) = 4 / 4
	4 / 2 (B) = 4 / 2
	1-4 / 1 (+ 24 V) = U_N
	1-4 / 3 (0 V) = 0 V
1-4 / 5 (PE) = PE	

Signaling

Status display present	no
------------------------	----

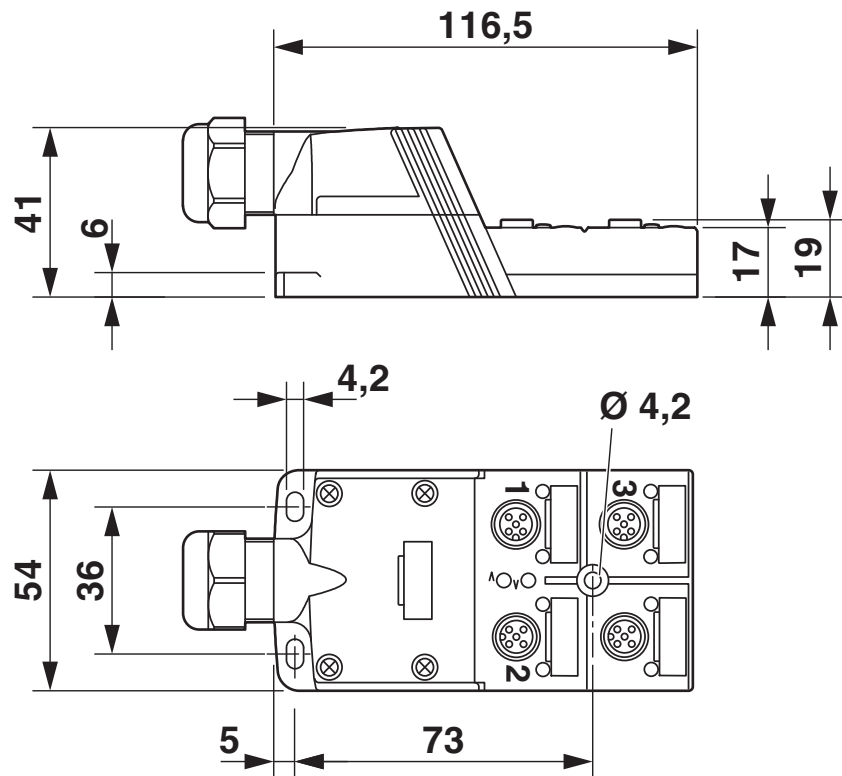
SACB-4/ 8-C - Distributor box

1692860

<https://www.phoenixcontact.com/us/products/1692860>

Drawings

Dimensional drawing



SACB-4/ 8-C - Distributor box

1692860

<https://www.phoenixcontact.com/us/products/1692860>



Schematic diagram



M12 slot, socket, 5-pos.

SACB-4/ 8-C - Distributor box

1692860

<https://www.phoenixcontact.com/us/products/1692860>



Schematic diagram



Potential U_{N1} and U_{N2} bridged. Potential assignment: $U_{N1} = U_{N2} =$ slots 1,2,3,4.

SACB-4/ 8-C - Distributor box

1692860

<https://www.phoenixcontact.com/us/products/1692860>

Schematic diagram



Electrically isolated. Potential assignment: U_{N1} = slots 1,3 and U_{N2} = slots 2,4.

SACB-4/ 8-C - Distributor box



1692860

<https://www.phoenixcontact.com/us/products/1692860>

Circuit diagram



SACB-4/ 8-C - Distributor box

1692860

<https://www.phoenixcontact.com/us/products/1692860>



Classifications

ECLASS

ECLASS-13.0	27440111
ECLASS-15.0	27440111

SACB-4/ 8-C - Distributor box



1692860

<https://www.phoenixcontact.com/us/products/1692860>

Environmental product compliance

EU REACH SVHC

REACH candidate substance (CAS No.)	No substance above 0.1 wt%
-------------------------------------	----------------------------

Phoenix Contact 2026 © - all rights reserved

<https://www.phoenixcontact.com>

Phoenix Contact USA
586 Fulling Mill Road
Middletown, PA 17057, United States
(+717) 944-1300
info@phoenixcon.com