

SACB-6/12-M23 - Distributor box



1692828

<https://www.phoenixcontact.com/us/products/1692828>

Please be informed that the data shown in this PDF document is generated from our online catalog. Please find the complete data in the user documentation. Our general terms of use for downloads are valid.



Distributor box, application: Standard, connection method: M12 socket Plastic, number of slots: 6, number of positions: 5, coding: A, slot assignment: Double, status display: no, Universal; master cable connection: M23 plug connection 90°, shielding: no

Your advantages

- Safety in the field, thanks to molded housing and high degree of protection
- Save space: distributor box with double occupancy for two sensors in one slot

Commercial data

| | |
|--------------------------------------|---------------|
| Item number | 1692828 |
| Packing unit | 1 pc |
| Minimum order quantity | 1 pc |
| Sales key | BF41 |
| Product key | AF3CBB |
| GTIN | 4017918177959 |
| Weight per piece (including packing) | 134.8 g |
| Weight per piece (excluding packing) | 112.62 g |
| Customs tariff number | 85366990 |
| Country of origin | DE |

SACB-6/12-M23 - Distributor box



1692828

<https://www.phoenixcontact.com/us/products/1692828>

Technical data

Notes

| | |
|---------------------|---|
| Assembly note | NOTE: Observe the permissible bending radii when routing cables, since the degree of protection may be at risk if the bending forces are too high. Reduce mechanical loads upstream of the connector, e.g., by using cable ties. |
| Note on application | Unused slots are to be sealed off prior to commissioning. Suitable sealing elements are to be found under "Accessories". |

Product properties

| | |
|---------------------|-----------------|
| Product type | Distributor box |
| Application | Standard |
| Number of positions | 5 |
| Number of slots | 6 |
| Coding | A |
| LED | no |

Electrical properties

| | |
|---|----------|
| Max. operating voltage U_{max} | 135 V |
| Nominal voltage U_N | 120 V AC |
| | 120 V DC |
| Rated current, total | 12 A |
| Max. current carrying capacity per path | 2 A |
| Current carrying capacity per slot | 4 A |

Connection data

Conductor connection

| | |
|--|------------|
| Sensor/actuator connection system | M12 socket |
| Tightening torque slot sensor/actuator cable | 0.4 Nm |

Connection assignment

| | |
|--|----------------|
| Slot/position = Wire color or connection | 1 / 4 (A) = 15 |
| | 1 / 2 (B) = 7 |
| | 2 / 4 (A) = 5 |
| | 2 / 2 (B) = 4 |
| | 3 / 4 (A) = 16 |
| | 3 / 2 (B) = 8 |
| | 4 / 4 (A) = 3 |
| | 4 / 2 (B) = 14 |
| | 5 / 4 (A) = 17 |
| | 5 / 2 (B) = 9 |
| | 6 / 4 (A) = 2 |
| | 6 / 2 (B) = 13 |

SACB-6/12-M23 - Distributor box

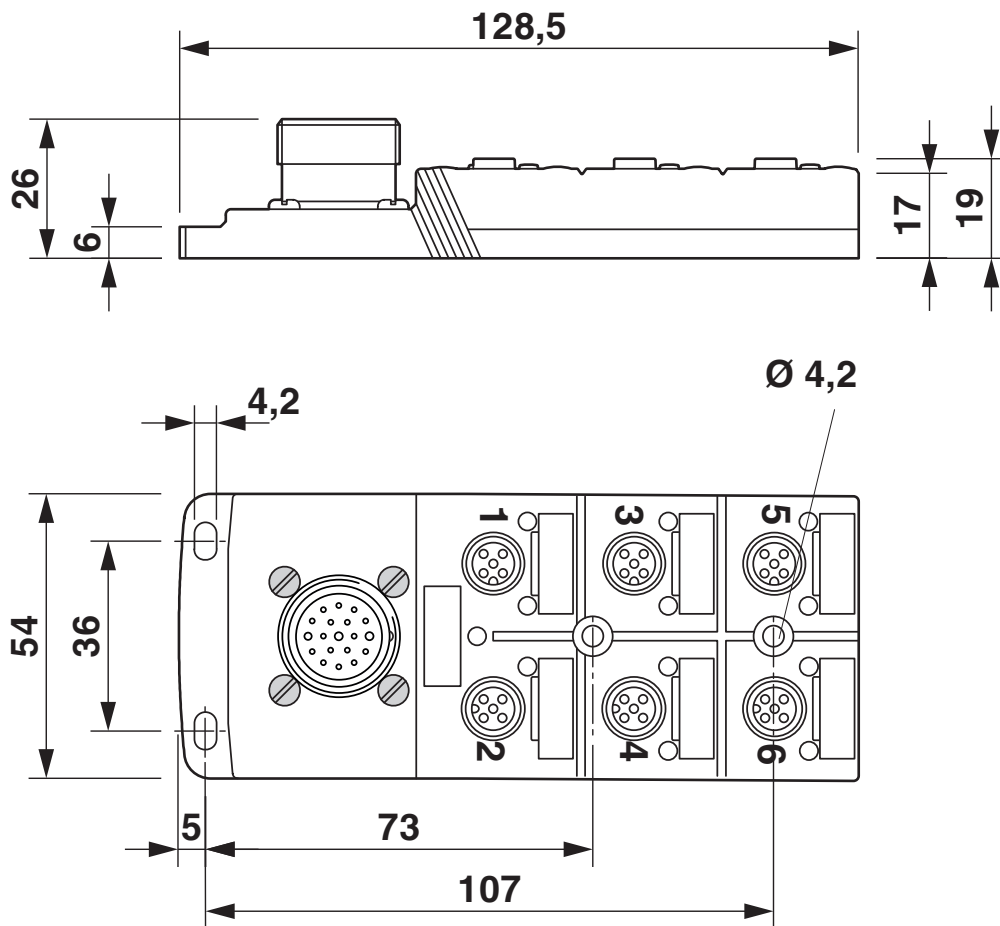


1692828

<https://www.phoenixcontact.com/us/products/1692828>

Drawings

Dimensional drawing



SACB-6/12-M23 - Distributor box

1692828

<https://www.phoenixcontact.com/us/products/1692828>

Schematic diagram



M12 slot, socket, 5-pos.

Schematic diagram



M23 plug connection pin, 19-pos.

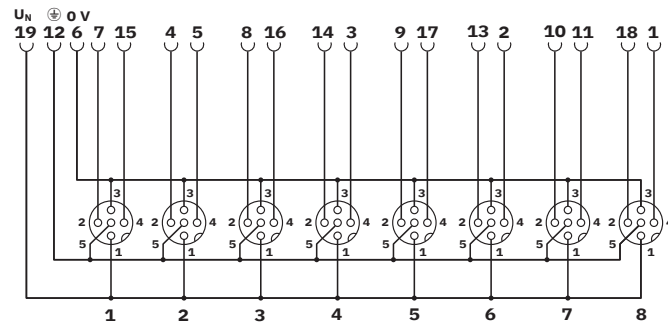
SACB-6/12-M23 - Distributor box

1692828

<https://www.phoenixcontact.com/us/products/1692828>



Circuit diagram



SACB-6/12-M23 - Distributor box



1692828

<https://www.phoenixcontact.com/us/products/1692828>

Approvals

To download certificates, visit the product detail page: <https://www.phoenixcontact.com/us/products/1692828>

|  cUL Recognized Approval ID: E118976 | | | | |
|---|-----------------------|-----------------------|-------------------|-----------------------------|
| | Nominal voltage U_N | Nominal current I_N | Cross section AWG | Cross section mm^2 |
| keine | | | | |
| | 120 V | - | 22 - 16 | - |

|  UL Recognized Approval ID: E118976 | | | | |
|--|-----------------------|-----------------------|-------------------|-----------------------------|
| | Nominal voltage U_N | Nominal current I_N | Cross section AWG | Cross section mm^2 |
| keine | | | | |
| | 120 V | - | 22 - 16 | - |

SACB-6/12-M23 - Distributor box



1692828

<https://www.phoenixcontact.com/us/products/1692828>

Classifications

ECLASS

| | |
|-------------|----------|
| ECLASS-13.0 | 27440111 |
| ECLASS-15.0 | 27440111 |

ETIM

| | |
|-----------|----------|
| ETIM 10.0 | EC003558 |
|-----------|----------|

UNSPSC

| | |
|-------------|----------|
| UNSPSC 21.0 | 31251500 |
|-------------|----------|

SACB-6/12-M23 - Distributor box



1692828

<https://www.phoenixcontact.com/us/products/1692828>

Environmental product compliance

EU RoHS

| | |
|---|------|
| Fulfills EU RoHS substance requirements | Yes |
| Exemption | 6(c) |

China RoHS

| | |
|--|---|
| Environment friendly use period (EFUP) | EFUP-50 |
| | An article-related China RoHS declaration table can be found in the download area for the respective article under "Manufacturer declaration". For all articles with EFUP-E, no China RoHS declaration table issued and required. |

EU REACH SVHC

| | |
|-------------------------------------|--------------------------------------|
| REACH candidate substance (CAS No.) | Lead(CAS: 7439-92-1) |
| SCIP | 0504c29d-cd6a-4205-98d6-fb2585ac3c8c |

Phoenix Contact 2026 © - all rights reserved

<https://www.phoenixcontact.com>

Phoenix Contact USA
586 Fulling Mill Road
Middletown, PA 17057, United States
(+717) 944-1300
info@phoenixcon.com