

SACB-4/ 4-L-M23 - Distributor box



1692404

<https://www.phoenixcontact.com/us/products/1692404>

Please be informed that the data shown in this PDF document is generated from our online catalog. Please find the complete data in the user documentation. Our general terms of use for downloads are valid.



Distributor box, application: Standard, connection method: M12 socket Plastic, number of slots: 4, number of positions: 4, coding: A, slot assignment: single, status display: yes, PNP; master cable connection: M23 plug connection 90°, shielding: no

Your advantages

- Safety in the field, thanks to molded housing and high degree of protection
- Convenient: increased machine availability thanks to quick and easy diagnostics

Commercial data

Item number	1692404
Packing unit	1 pc
Minimum order quantity	1 pc
Sales key	BF41
Product key	AF3CBB
GTIN	4017918177867
Weight per piece (including packing)	112.8 g
Weight per piece (excluding packing)	104 g
Customs tariff number	85366990
Country of origin	DE

SACB-4/ 4-L-M23 - Distributor box



1692404

<https://www.phoenixcontact.com/us/products/1692404>

Technical data

Notes

Assembly note	NOTE: Observe the permissible bending radii when routing cables, since the degree of protection may be at risk if the bending forces are too high. Reduce mechanical loads upstream of the connector, e.g., by using cable ties.
Note on application	Unused slots are to be sealed off prior to commissioning. Suitable sealing elements are to be found under "Accessories".

Product properties

Product type	Distributor box
Application	Standard
Number of positions	4
Number of slots	4
Coding	A
LED	yes

System properties

Local diagnostics

Monitored function	Supply voltage
Optical representation	Green LED

Electrical properties

Max. operating voltage U_{max}	30 V DC
Local diagnostics	Supply voltage Green LED
	Status display I/O Yellow LED
Nominal voltage U_N	24 V DC
Rated current, total	12 A
Max. current carrying capacity per path	2 A
Current carrying capacity per slot	4 A

Connection data

Conductor connection

Sensor/actuator connection system	M12 socket
Tightening torque slot sensor/actuator cable	0.4 Nm

Connection assignment

Slot/position = Wire color or connection	1 / 4 (A) = 1
	2 / 4 (A) = 2
	3 / 4 (A) = 3
	4 / 4 (A) = 4
	1-4 / 1 (+ 24 V) = 11
	1-4 / 3 (0 V) = 9+10

SACB-4/ 4-L-M23 - Distributor box



1692404

<https://www.phoenixcontact.com/us/products/1692404>

1-4 / 5 (PE) = 12

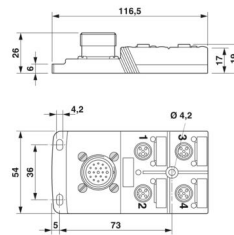
Signaling

Status display present

yes

Dimensions

Dimensional drawing



Width

54 mm

Height

26 mm

Length

117 mm

Material specifications

Material Threaded sleeve

PA

Material Housing

PA

Flammability rating according to UL 94

V0

Seal material O-ring

NBR

Contact material

CuSn

Contact surface material

Ni/Au

Contact carrier material

PA

Material of contact, master cable side

CU alloy

Material of contact surface, master cable side

gold-plated

Cable/line

Connection method

M23 plug connection

Environmental and real-life conditions

Ambient conditions

Degree of protection

IP65

IP67

Ambient temperature (operation)

-20 °C ... 75 °C

SACB-4/ 4-L-M23 - Distributor box

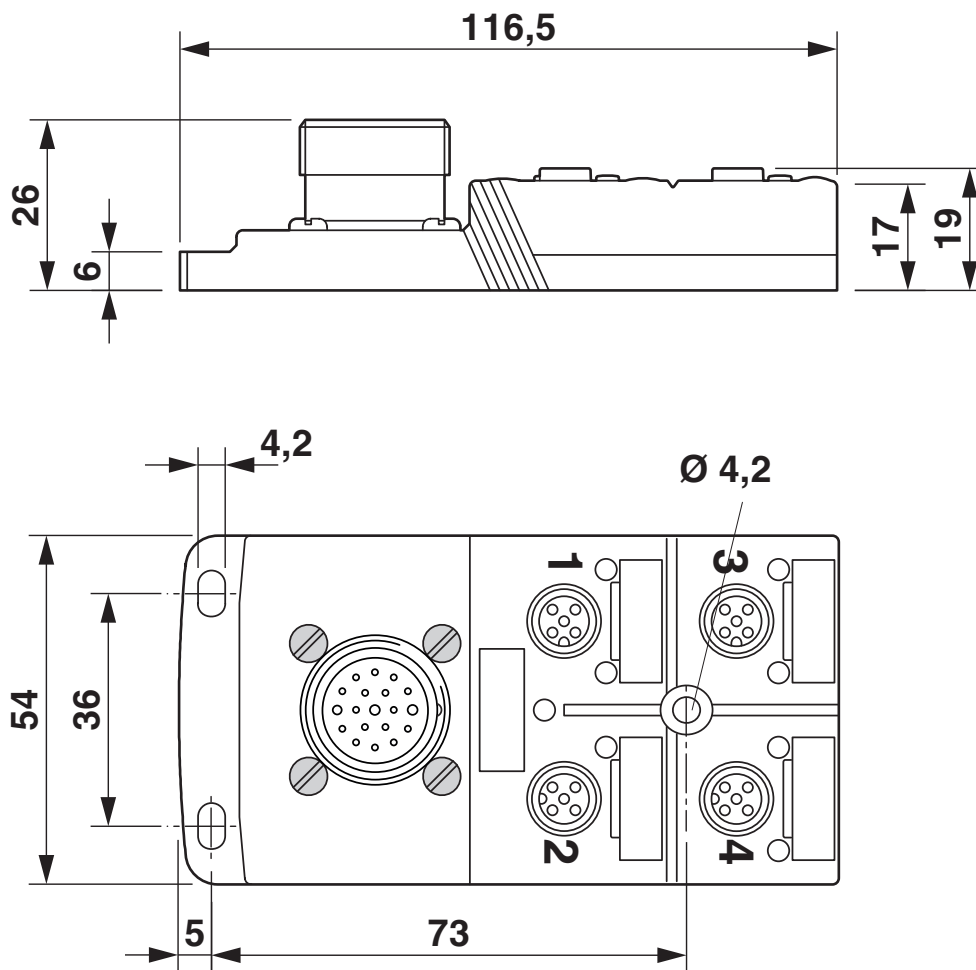


1692404

<https://www.phoenixcontact.com/us/products/1692404>

Drawings

Dimensional drawing



SACB-4/ 4-L-M23 - Distributor box

1692404

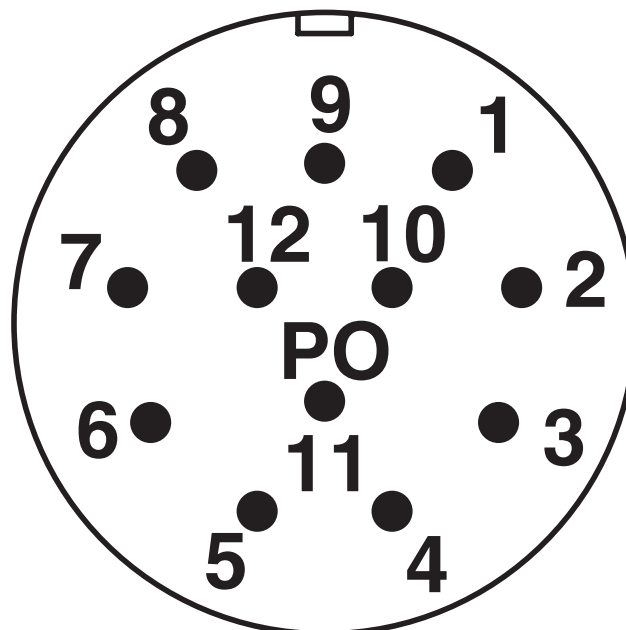
<https://www.phoenixcontact.com/us/products/1692404>

Schematic diagram



M12 slot, socket, 4-pos.

Schematic diagram



M23 plug connection pin, 12-pos.

SACB-4/ 4-L-M23 - Distributor box




1692404

<https://www.phoenixcontact.com/us/products/1692404>

Approvals

To download certificates, visit the product detail page: <https://www.phoenixcontact.com/us/products/1692404>

 cUL Recognized Approval ID: E118976				
	Nominal voltage U_N	Nominal current I_N	Cross section AWG	Cross section mm^2
keine				
	24 V	-	22 - 16	-

 UL Recognized Approval ID: E118976				
	Nominal voltage U_N	Nominal current I_N	Cross section AWG	Cross section mm^2
keine				
	24 V	-	22 - 16	-

SACB-4/ 4-L-M23 - Distributor box



1692404

<https://www.phoenixcontact.com/us/products/1692404>

Classifications

ECLASS

ECLASS-13.0	27440111
ECLASS-15.0	27440111

ETIM

ETIM 10.0	EC003558
-----------	----------

UNSPSC

UNSPSC 21.0	31251500
-------------	----------

SACB-4/ 4-L-M23 - Distributor box



1692404

<https://www.phoenixcontact.com/us/products/1692404>

Environmental product compliance

EU RoHS

Fulfills EU RoHS substance requirements	Yes
Exemption	6(c)

China RoHS

Environment friendly use period (EFUP)	EFUP-50
	An article-related China RoHS declaration table can be found in the download area for the respective article under "Manufacturer declaration". For all articles with EFUP-E, no China RoHS declaration table issued and required.

EU REACH SVHC

REACH candidate substance (CAS No.)	Lead(CAS: 7439-92-1)
SCIP	4b8fac72-9d25-4723-b63c-49fe08b47904

Phoenix Contact 2026 © - all rights reserved

<https://www.phoenixcontact.com>

Phoenix Contact USA
586 Fulling Mill Road
Middletown, PA 17057, United States
(+717) 944-1300
info@phoenixcon.com