

SACB-4/ 8-L-C - Distributor box



1692352

<https://www.phoenixcontact.com/us/products/1692352>

Please be informed that the data shown in this PDF document is generated from our online catalog. Please find the complete data in the user documentation. Our general terms of use for downloads are valid.



Distributor box, connection method: M12 socket Plastic, number of slots: 4, number of positions: 5, coding: A, slot assignment: Double, status display: yes, PNP; master cable connection: Pluggable screw connection 180°, shielding: no

Your advantages

- Safety in the field, thanks to robust housing and high degree of protection
- Convenient: increased machine availability thanks to quick and easy diagnostics
- Save space: distributor box with double occupancy for two sensors in one slot
- Flexible: distributor box with connector hood for on-site assembly

Commercial data

| | |
|--------------------------------------|--------------------------------|
| Item number | 1692352 |
| Packing unit | 1 pc |
| Note | Made to order (non-returnable) |
| Sales key | NULL |
| Product key | AF3CBD |
| GTIN | 4017918177997 |
| Weight per piece (including packing) | 153.1 g |
| Weight per piece (excluding packing) | 117.62 g |
| Customs tariff number | 85444290 |
| Country of origin | PL |

SACB-4/ 8-L-C - Distributor box



1692352

<https://www.phoenixcontact.com/us/products/1692352>

Technical data

Product properties

| | |
|---------------------|-----------------|
| Product type | Distributor box |
| Number of positions | 5 |
| Number of slots | 4 |
| Coding | A |
| LED | yes |

System properties

Local diagnostics

| | |
|------------------------|---------------------------|
| Monitored function | Supply voltage per module |
| Optical representation | Green LED |

Electrical properties

| | |
|---|-------------------------------------|
| Max. operating voltage U_{max} | 30 V DC |
| Local diagnostics | Supply voltage per module Green LED |
| | Status display I/O Yellow LED |
| Nominal voltage U_N | 24 V DC |
| Rated current, total | 10 A |
| | 2x 8 A (For electrical isolation) |
| Max. current carrying capacity per path | 2 A |
| Current carrying capacity per slot | 4 A |

Connection data

Conductor connection

| | |
|--|--|
| Sensor/actuator connection system | M12 socket |
| Conductor cross-section Flexible signal line | 0.14 mm ² ... 1.5 mm ² |
| Conductor cross-section Flexible power supply | 0.14 mm ² ... 1.5 mm ² |
| Connection cross section AWG Flexible signal line | 26 ... 16 |
| Connection cross section AWG Flexible power supply | 26 ... 16 |
| Stripping length Signal line | 7 mm |
| Tightening torque slot sensor/actuator cable | 0.4 Nm |
| Tightening torque, union nut | 2.5 Nm |

Connection assignment

| | |
|--|-------------------|
| Slot/position = Wire color or connection | 1 / 4 (A) = 1 / 4 |
| | 1 / 2 (B) = 1 / 2 |
| | 2 / 4 (A) = 2 / 4 |
| | 2 / 2 (B) = 2 / 2 |
| | 3 / 4 (A) = 3 / 4 |
| | 3 / 2 (B) = 3 / 2 |
| | 4 / 4 (A) = 4 / 4 |

SACB-4/ 8-L-C - Distributor box



1692352

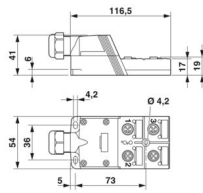
<https://www.phoenixcontact.com/us/products/1692352>

| | |
|--|-----------------------------------|
| | 4 / 2 (B) = 4 / 2 |
| | 1-4 / 1 (+ 24 V) = U _N |
| | 1-4 / 3 (0 V) = 0 V |
| | 1-4 / 5 (PE) = PE |

Signaling

| | |
|------------------------|-----|
| Status display present | yes |
|------------------------|-----|

Dimensions

| | |
|---------------------|--|
| Dimensional drawing |  |
| Width | 54 mm |
| Height | 41 mm |
| Length | 116.5 mm |

Material specifications

| | |
|--|-----------|
| Material Threaded sleeve | PA |
| Material Housing | PA |
| Flammability rating according to UL 94 | V0 |
| Seal material O-ring | NBR |
| Contact material | CuSn |
| Contact surface material | Ni/Au |
| Contact carrier material | PA |
| Material of contact, master cable side | CU alloy |
| Material of the contact carrier on the master cable side | PA 6.6 V0 |
| Material of contact surface, master cable side | Sn |

Cable/line

| | |
|-------------------------|----------------------------|
| External cable diameter | 7 mm ... 12 mm |
| Connection method | Pluggable screw connection |

Environmental and real-life conditions

Ambient conditions

| | |
|---------------------------------|------------------|
| Degree of protection | IP65 |
| | IP67 |
| Ambient temperature (operation) | -25 °C ... 75 °C |

SACB-4/ 8-L-C - Distributor box

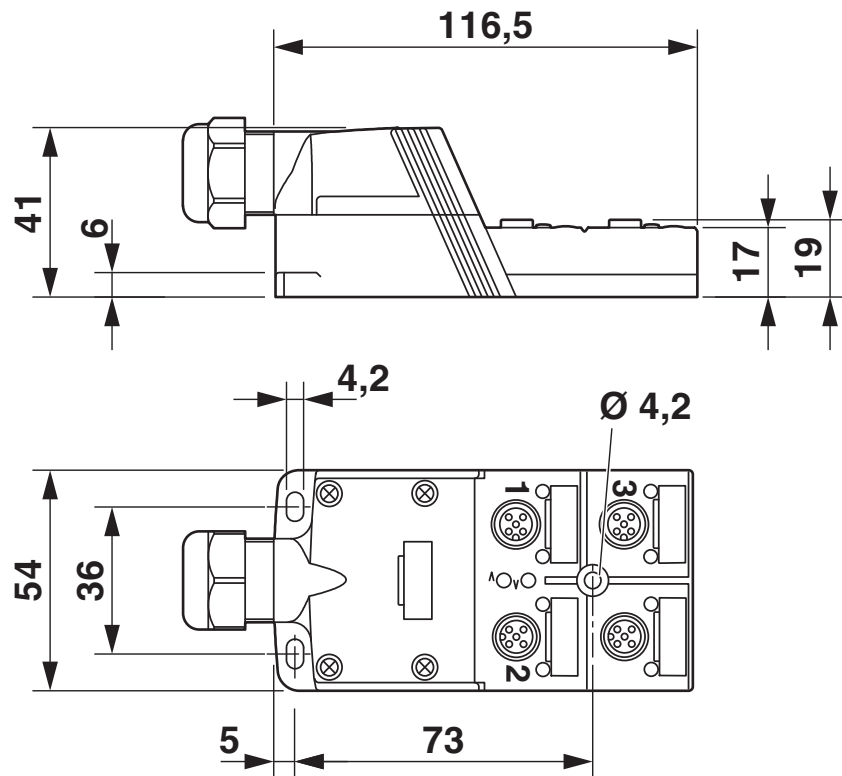


1692352

<https://www.phoenixcontact.com/us/products/1692352>

Drawings

Dimensional drawing



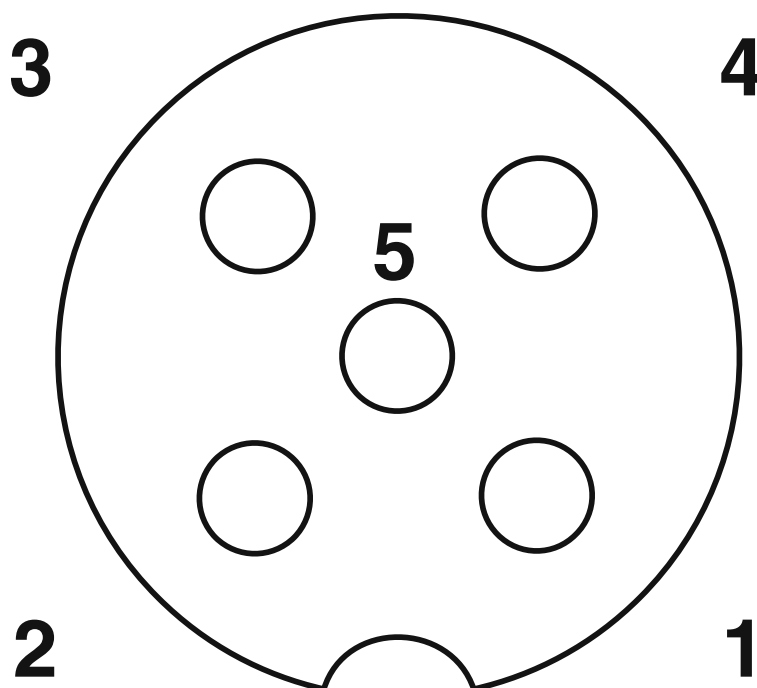
SACB-4/ 8-L-C - Distributor box

1692352

<https://www.phoenixcontact.com/us/products/1692352>



Schematic diagram



M12 slot, socket, 5-pos.

SACB-4/ 8-L-C - Distributor box

1692352

<https://www.phoenixcontact.com/us/products/1692352>



Schematic diagram



Potential U_{N1} and U_{N2} bridged. Potential assignment: $U_{N1} = U_{N2} =$ slots 1,2,3,4.

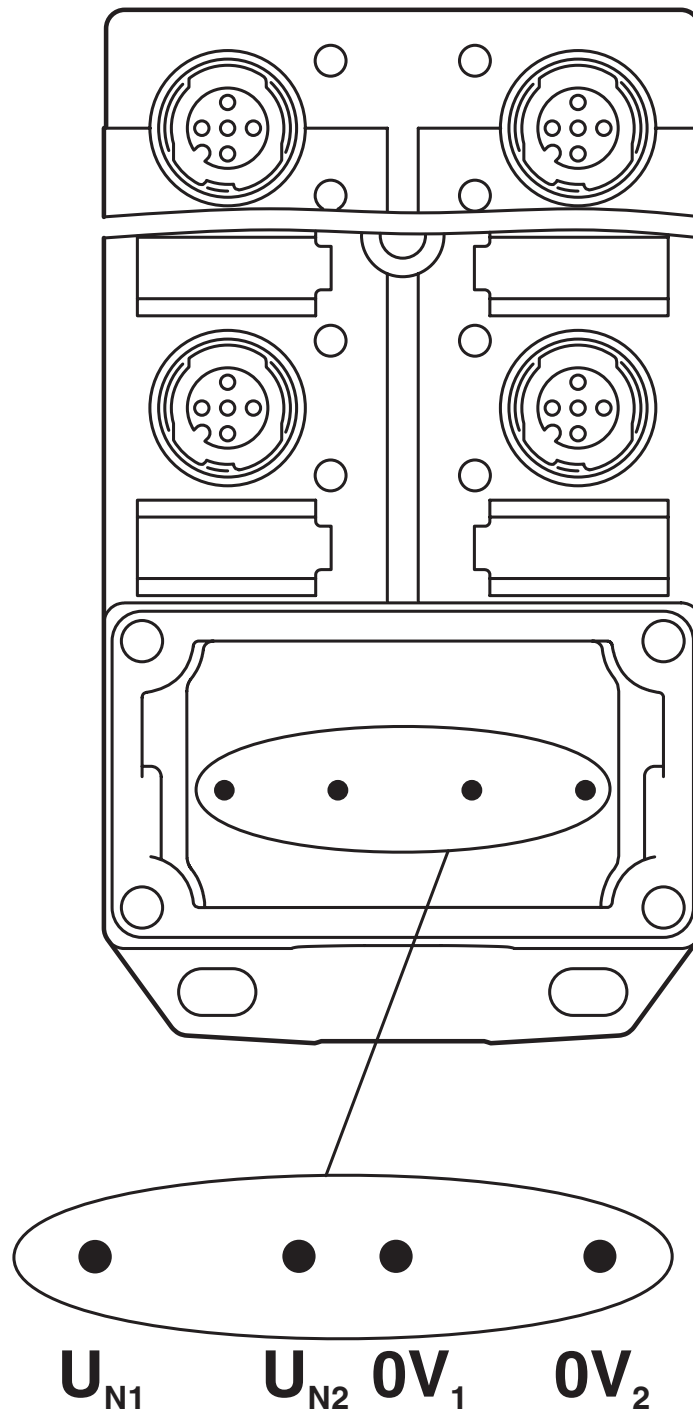
SACB-4/ 8-L-C - Distributor box

1692352

<https://www.phoenixcontact.com/us/products/1692352>



Schematic diagram



Electrically isolated. Potential assignment: U_{N1} = slots 1,3 and U_{N2} = slots 2,4.

SACB-4/ 8-L-C - Distributor box

1692352

<https://www.phoenixcontact.com/us/products/1692352>



Classifications

ECLASS

| | |
|-------------|----------|
| ECLASS-13.0 | 27440111 |
| ECLASS-15.0 | 27440111 |

SACB-4/ 8-L-C - Distributor box



1692352

<https://www.phoenixcontact.com/us/products/1692352>

Environmental product compliance

EU REACH SVHC

| REACH candidate substance (CAS No.) | |
|-------------------------------------|--|
|-------------------------------------|--|

| | |
|--|----------------------------|
| | No substance above 0.1 wt% |
|--|----------------------------|

Phoenix Contact 2026 © - all rights reserved

<https://www.phoenixcontact.com>

Phoenix Contact USA
586 Fulling Mill Road
Middletown, PA 17057, United States
(+717) 944-1300
info@phoenixcon.com