

HC-B 24-TMB-SD-IP65-OLOGO - Protective cover



1691094

<https://www.phoenixcontact.com/us/products/1691094>

Please be informed that the data shown in this PDF document is generated from our online catalog. Please find the complete data in the user documentation. Our general terms of use for downloads are valid.



Protective cover IP65, for panel mounting side, with bayonet locking and retaining cord, B24, without logo

Commercial data

Item number	1691094
Packing unit	10 pc
Minimum order quantity	1 pc
Product key	AF7AZC
GTIN	4017918987251
Weight per piece (including packing)	46.3 g
Weight per piece (excluding packing)	39.7 g
Country of origin	DE

HC-B 24-TMB-SD-IP65-OLOGO - Protective cover



1691094

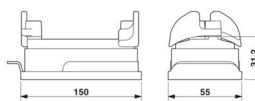
<https://www.phoenixcontact.com/us/products/1691094>

Technical data

Product properties

Product type	Protective cover
Housing type	Protective cover
Type	B24
Seal present	yes

Dimensions

Dimensional drawing	
Width	55 mm
Height	31.2 mm
Length	150 mm

Material specifications

Flammability rating according to UL 94	V0
Seal material	NBR
Material, protective cover	PA
Locking latch material	High-grade steel, handle: PA-GF

Environmental and real-life conditions

Ambient conditions

Degree of protection	IP65
Ambient temperature (operation)	-40 °C ... 125 °C

HC-B 24-TMB-SD-IP65-OLOGO - Protective cover

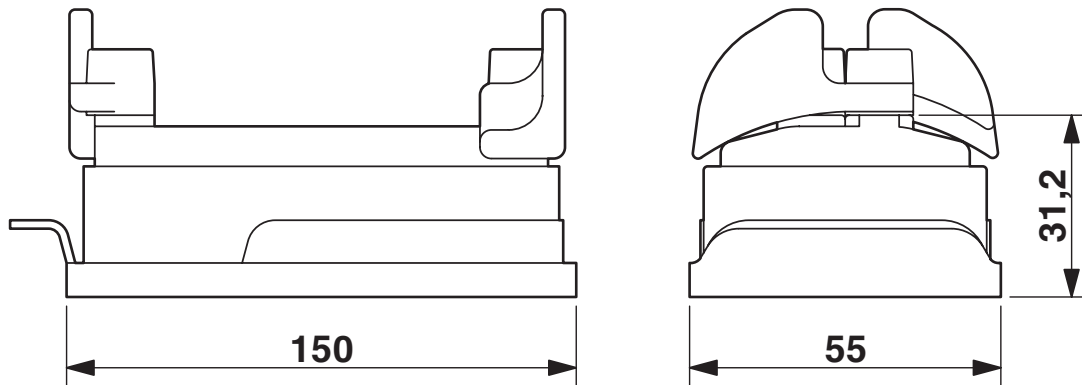


1691094

<https://www.phoenixcontact.com/us/products/1691094>

Drawings

Dimensional drawing



Dimensional drawing

HC-B 24-TMB-SD-IP65-OLOGO - Protective cover



1691094

<https://www.phoenixcontact.com/us/products/1691094>

Classifications

ECLASS

ECLASS-13.0	27440208
ECLASS-15.0	27440208

HC-B 24-TMB-SD-IP65-OLOGO - Protective cover



1691094

<https://www.phoenixcontact.com/us/products/1691094>

Environmental product compliance

EU RoHS

Fulfills EU RoHS substance requirements	Yes, No exemptions
---	--------------------

EU REACH SVHC

REACH candidate substance (CAS No.)	No substance above 0.1 wt%
-------------------------------------	----------------------------

Phoenix Contact 2026 © - all rights reserved

<https://www.phoenixcontact.com>

Phoenix Contact USA
586 Fulling Mill Road
Middletown, PA 17057, United States
(+717) 944-1300
info@phoenixcon.com