

HC-B 24-TMS-100/O1STM32S-STA - Housing



1690406

<https://www.phoenixcontact.com/us/products/1690406>

Please be informed that the data shown in this PDF document is generated from our online catalog. Please find the complete data in the user documentation. Our general terms of use for downloads are valid.



HEAVYCON ADVANCE standard powder-coated sleeve housing B24, with screw locking, height 100 mm, with 1xM32 thread, lateral cable outlet

Commercial data

| | |
|--------------------------------------|---------------|
| Item number | 1690406 |
| Packing unit | 10 pc |
| Minimum order quantity | 1 pc |
| Sales key | BF19 |
| Product key | AF7AAA |
| GTIN | 4017918822293 |
| Weight per piece (including packing) | 455.31 g |
| Weight per piece (excluding packing) | 455.31 g |
| Customs tariff number | 85389099 |
| Country of origin | DE |

HC-B 24-TMS-100/O1STM32S-STA - Housing

1690406

<https://www.phoenixcontact.com/us/products/1690406>

Technical data

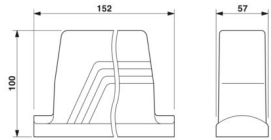
Product properties

| | |
|------------------------------|----------------------------|
| Product type | Housing with screw locking |
| Housing type | Sleeve housing |
| Application | Standard |
| Type | B24 |
| No. of cable outlets | 1 |
| Type of the screw connection | 1x M32 |
| Fixing screws | M6 |
| Shielded | no |
| Cable outlet | lateral |
| Pg screw connection | none |

Connection data

| | |
|-------------------|----------------------|
| Tightening torque | 3 Nm (Locking screw) |
|-------------------|----------------------|

Dimensions

| | |
|---------------------|--|
| Dimensional drawing |  |
| Width | 57 mm |
| Height | 100 mm |
| Length | 152 mm |

Installation dimensions

| | |
|-------------------------------|--------|
| Width of the assembly cutout | 35 mm |
| Length of the assembly cutout | 112 mm |

Material specifications

| | |
|--------------------------|---------------------|
| Seal material | NBR |
| Housing material | Die-cast aluminum |
| Housing surface material | Powder-coated, gray |
| Locking latch material | Stainless steel |

Environmental and real-life conditions

Ambient conditions

| | |
|----------------------|---------------------|
| Degree of protection | IP66 |
| | IP68 (0.2 bar/24 h) |
| | IP69 |
| | 4 (NEMA 250) |

HC-B 24-TMS-100/O1STM32S-STA - Housing



1690406

<https://www.phoenixcontact.com/us/products/1690406>

| | |
|---------------------------------|-------------------|
| Enclosure rating (NEMA) | 4X (NEMA 250) |
| | 6P (NEMA 250) |
| | 12 (NEMA 250) |
| Ambient temperature (operation) | -40 °C ... 125 °C |

Mechanical properties

Mechanical data

| | |
|------------------------------|--------|
| Type of the screw connection | 1x M32 |
| Locking type | Screw |

Mounting

| | |
|---------------|--|
| Assembly note | In order to guarantee that the protective conductor contact functions even when plugged in at an angle, the two panel-mount flanges must have sufficient electrical contact with the metal mounting panel. |
| | Tightening torque of locking screw 3 Nm. |
| Fixing screws | M6 |

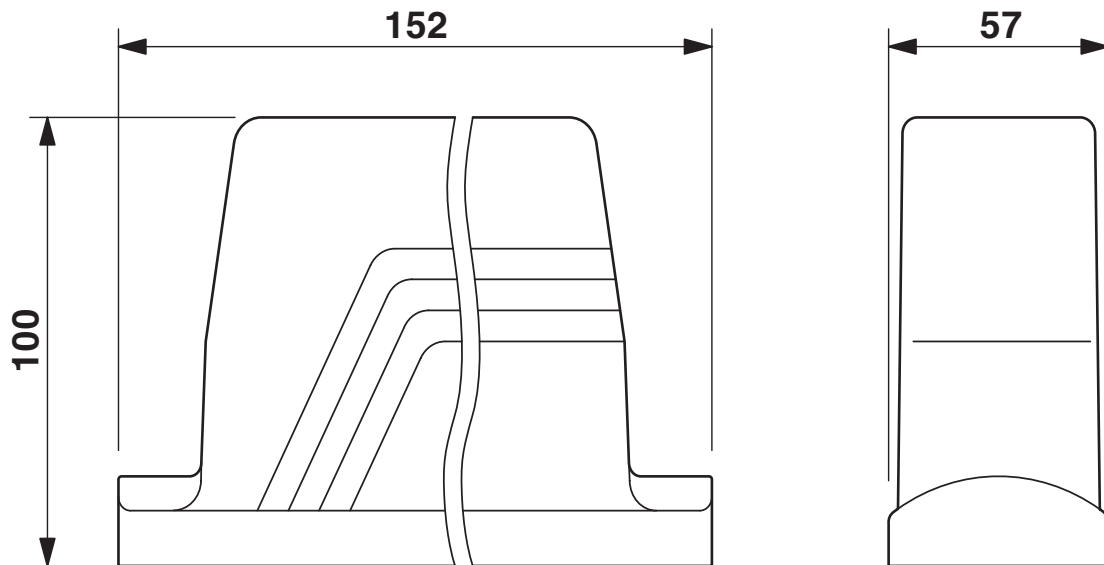
HC-B 24-TMS-100/O1STM32S-STA - Housing

1690406

<https://www.phoenixcontact.com/us/products/1690406>

Drawings

Dimensional drawing



Dimensional drawing

Dimensional drawing



Mounting cutout

1) when M4 screws are used

2) when self-tapping Torx® screws are used (Torx® 20, M4)

HC-B 24-TMS-100/O1STM32S-STA - Housing



1690406

<https://www.phoenixcontact.com/us/products/1690406>

Approvals

🔗 To download certificates, visit the product detail page: <https://www.phoenixcontact.com/us/products/1690406>

DNV

Approval ID: TAE000037S



EAC

Approval ID: RU C-DE.AI30.B.01102

HC-B 24-TMS-100/O1STM32S-STA - Housing



1690406

<https://www.phoenixcontact.com/us/products/1690406>

Classifications

ECLASS

| | |
|-------------|----------|
| ECLASS-13.0 | 27440202 |
| ECLASS-15.0 | 27440202 |

ETIM

| | |
|-----------|----------|
| ETIM 10.0 | EC000437 |
|-----------|----------|

UNSPSC

| | |
|-------------|----------|
| UNSPSC 21.0 | 31261501 |
|-------------|----------|

1690406

<https://www.phoenixcontact.com/us/products/1690406>

Environmental product compliance

EU RoHS

| | |
|---|--------------------|
| Fulfills EU RoHS substance requirements | Yes, No exemptions |
|---|--------------------|

China RoHS

| | |
|--|--|
| Environment friendly use period (EFUP) | EFUP-E |
| | No hazardous substances above the limits |

EU REACH SVHC

| | |
|-------------------------------------|----------------------------|
| REACH candidate substance (CAS No.) | No substance above 0.1 wt% |
|-------------------------------------|----------------------------|

EF3.1 Climate Change

| | |
|---------|--------------|
| CO2e kg | 1.76 kg CO2e |
|---------|--------------|

Phoenix Contact 2026 © - all rights reserved
<https://www.phoenixcontact.com>

Phoenix Contact USA
586 Fulling Mill Road
Middletown, PA 17057, United States
(+717) 944-1300
info@phoenixcon.com