

VS-25-BU-DSUB-5P - D-SUB contact support

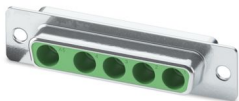


1689983

<https://www.phoenixcontact.com/us/products/1689983>

Please be informed that the data shown in this PDF document is generated from our online catalog. Please find the complete data in the user documentation. Our general terms of use for downloads are valid.

D-SUB contact carrier, shell size 3, accommodation for five combined contacts, type of contact socket, straight, fixing with a 3 mm hole, for panel mounting frame and sleeve housing VS-25-...



Your advantages

- Compatible with IP67 sleeve housing and panel-mount frame
- Easy assembly

Commercial data

Item number	1689983
Packing unit	50 pc
Minimum order quantity	1 pc
Sales key	AB19
Product key	ABNCAB
GTIN	4017918914387
Weight per piece (including packing)	10.93 g
Weight per piece (excluding packing)	14.28 g
Customs tariff number	85369010
Country of origin	DE

VS-25-BU-DSUB-5P - D-SUB contact support



1689983

<https://www.phoenixcontact.com/us/products/1689983>

Technical data

Notes

Order information:	The contacts must be ordered separately since they are not included in the scope of supply of the contact carriers.
--------------------	---

Product properties

Product type	Contact insert
Type	D-SUB
Number of positions	5
Connection profile	D-SUB
Number of slots	1
Shielded	yes

Electrical properties

Transmission medium	Copper
---------------------	--------

Connection data

Connection method	Wave soldering contacts
-------------------	-------------------------

Dimensions

Width	12.6 mm
Height	12.93 mm
Length	53.42 mm

Material specifications

Flammability rating according to UL 94	V0
Housing material	Metal
Housing surface material	metal-plated
Contact material	Copper alloy
Contact surface material	Gold
Contact carrier material	PBTP

Mechanical properties

Mechanical data

Insertion/withdrawal cycles	≥ 500
-----------------------------	-------

Environmental and real-life conditions

Ambient conditions

Degree of protection	IP20
Ambient temperature (operation)	-55 °C ... 125 °C

Mounting

Mounting type	Screw mounting
---------------	----------------

VS-25-BU-DSUB-5P - D-SUB contact support

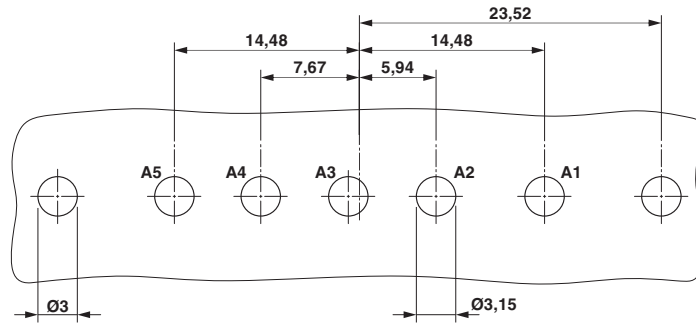
1689983

<https://www.phoenixcontact.com/us/products/1689983>



Drawings

Drilling plan/solder pad geometry



Drilling diagram

VS-25-BU-DSUB-5P - D-SUB contact support



1689983

<https://www.phoenixcontact.com/us/products/1689983>

Approvals

To download certificates, visit the product detail page: <https://www.phoenixcontact.com/us/products/1689983>



UL Recognized

Approval ID: E118976

VS-25-BU-DSUB-5P - D-SUB contact support



1689983

<https://www.phoenixcontact.com/us/products/1689983>

Classifications

ECLASS

ECLASS-13.0	27440302
ECLASS-15.0	27440323

ETIM

ETIM 10.0	EC001132
-----------	----------

UNSPSC

UNSPSC 21.0	39121400
-------------	----------

VS-25-BU-DSUB-5P - D-SUB contact support



1689983

<https://www.phoenixcontact.com/us/products/1689983>

Environmental product compliance

EU RoHS

Fulfills EU RoHS substance requirements	Yes, No exemptions
---	--------------------

China RoHS

Environment friendly use period (EFUP)	EFUP-E
	No hazardous substances above the limits

EU REACH SVHC

REACH candidate substance (CAS No.)	No substance above 0.1 wt%
-------------------------------------	----------------------------

EF3.1 Climate Change

CO2e kg	0.161 kg CO2e
---------	---------------

Phoenix Contact 2026 © - all rights reserved
<https://www.phoenixcontact.com>

Phoenix Contact USA
586 Fulling Mill Road
Middletown, PA 17057, United States
(+717) 944-1300
info@phoenixcon.com