

VS-09-A-E - D-SUB panel mounting frames

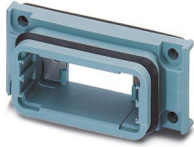


1689831

<https://www.phoenixcontact.com/us/products/1689831>

Please be informed that the data shown in this PDF document is generated from our online catalog. Please find the complete data in the user documentation. Our general terms of use for downloads are valid.

D-SUB panel mounting frame, shell size 1, IP67 degree of protection



Commercial data

Item number	1689831
Packing unit	1 pc
Note	Made to order (non-returnable)
Sales key	NULL
Product key	ABNCAZ
GTIN	4017918896478
Weight per piece (including packing)	9.21 g
Weight per piece (excluding packing)	9.21 g
Customs tariff number	85369010
Country of origin	DE

VS-09-A-E - D-SUB panel mounting frames



1689831

<https://www.phoenixcontact.com/us/products/1689831>

Technical data

Material specifications

Color	gray
Flammability rating according to UL 94	V0
Seal material	Flat gasket: NBR; profile gasket: EPDM
Housing material	PA

Environmental and real-life conditions

Ambient conditions

Degree of protection	IP67
Ambient temperature (operation)	-40 °C ... 80 °C

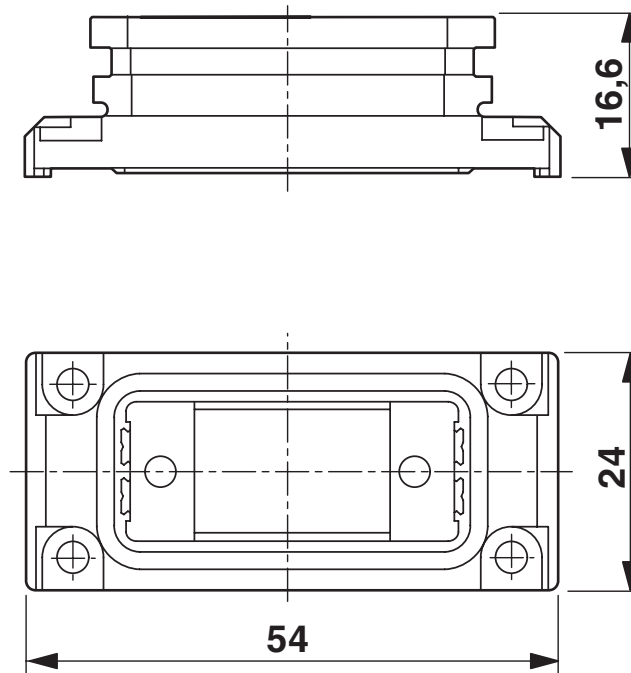
VS-09-A-E - D-SUB panel mounting frames

1689831

<https://www.phoenixcontact.com/us/products/1689831>

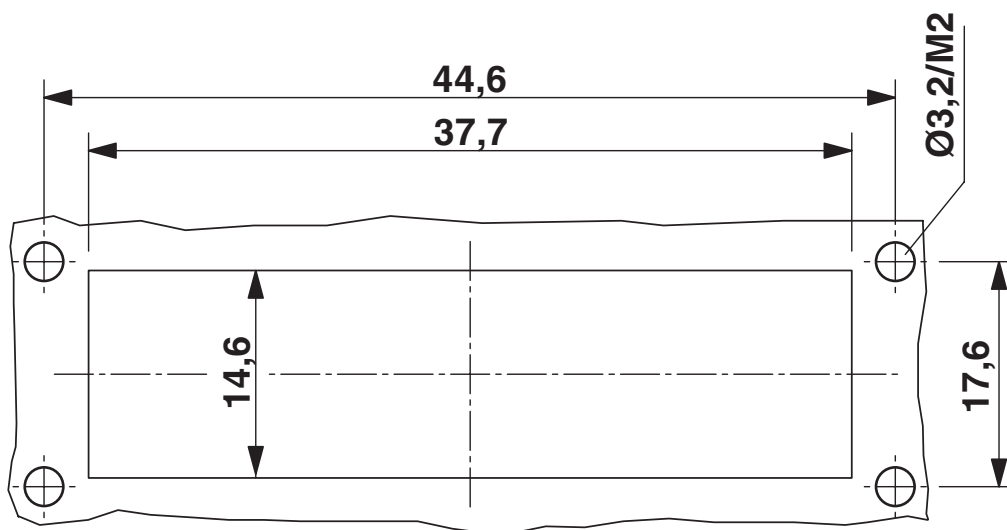
Drawings

Dimensional drawing



D-SUB panel mounting frame

Dimensional drawing



Mounting cutout

VS-09-A-E - D-SUB panel mounting frames



1689831

<https://www.phoenixcontact.com/us/products/1689831>

Environmental product compliance

EU REACH SVHC

REACH candidate substance (CAS No.)	
-------------------------------------	--

	No substance above 0.1 wt%
--	----------------------------

Phoenix Contact 2026 © - all rights reserved

<https://www.phoenixcontact.com>

Phoenix Contact USA
586 Fulling Mill Road
Middletown, PA 17057, United States
(+717) 944-1300
info@phoenixcon.com