

# VS-25-A - Panel-mount frame

1689750

<https://www.phoenixcontact.com/us/products/1689750>



Please be informed that the data shown in this PDF document is generated from our online catalog. Please find the complete data in the user documentation. Our general terms of use for downloads are valid.

D-SUB panel mounting frame, shell size 3, IP67 degree of protection



## Commercial data

Item number	1689750
Packing unit	5 pc
Minimum order quantity	5 pc
Sales key	AB19
Product key	ABNCBC
GTIN	4017918922009
Weight per piece (including packing)	11.85 g
Weight per piece (excluding packing)	10.88 g
Customs tariff number	85389099
Country of origin	DE

## Technical data

### Notes

#### Safety note

##### Safety note

**WARNING:** The connectors may not be plugged in or disconnected under load. Ignoring the warning or improper use may damage persons and/or property.

- **WARNING:** Commission properly functioning products only. The products must be regularly inspected for damage. Decommission defective products immediately. Replace damaged products. Repairs are not possible.

- **WARNING:** Only electrically qualified personnel may install and operate the product. They must observe the following safety notes. The qualified personnel must be familiar with the basics of electrical engineering. They must be able to recognize and prevent danger. The relevant symbol on the packaging indicates that only personnel familiar with electrical engineering are allowed to install and operate the product.

- The products are suitable for applications in plant, controller, and electrical device engineering.

- When operating the connectors in outdoor applications, they must be separately protected against environmental influences.

- Assembled products may not be manipulated or improperly opened.

- Only use mating connectors that are specified in the technical data of the standards listed (e.g. the ones listed in the product accessories online at [phoenixcontact.com/products](https://www.phoenixcontact.com/products)).

- When using the product in direct connection with third-party manufacturers, the user is responsible.

- For operating voltages > 50 V AC, conductive connector housings must be grounded

- Only use tools recommended by Phoenix Contact

- The installation notes/Design In documents online on the download page at [phoenixcontact.com/products](https://www.phoenixcontact.com/products) must be observed for this product.

- Use a protective cap to protect connectors that are not in use. The suitable accessories are available online in the accessory section of the product at [phoenixcontact.com/products](https://www.phoenixcontact.com/products)

- Operate the connector only when it is fully plugged in and interlocked.

- Operate the connector only when it is fully plugged in.

- Ensure that when laying the cable, the tensile load on the connectors does not exceed the upper limit specified in the standards.

- Observe the minimum bending radius of the cable. Lay the cable without twisting it.

- VDE 0100/1.97 § 411.1.3.2 and DIN EN 60 204/11.98 § 14.1.3 are applicable when combining several circuits in a cable and/or connector

### Product properties

# VS-25-A - Panel-mount frame

1689750

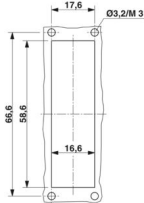
<https://www.phoenixcontact.com/us/products/1689750>

Product type	Panel-mount frame
Application	Modular insert
Type	Shell size 3
Number of positions	25
Connection profile	unassembled

## Insulation characteristics

Overvoltage category	III
Degree of pollution	2

## Dimensions

Dimensional drawing	
Width	16.7 mm
Height	24 mm
Length	76 mm

## Material specifications

Color	gray
Material	Plastic
Flammability rating according to UL 94	V0
Seal material	Flat gasket: NBR; profile gasket: EPDM
Seal material	NBR
Seal material, flat gasket	NBR
Housing material	Plastic
Housing surface material	PA, light gray
Contact material	Copper alloy
Contact surface material	Au/Ni
Contact carrier material	Polyester GF

## Mechanical properties

### Mechanical data

Insertion/withdrawal cycles	≥ 1000
-----------------------------	--------

## Environmental and real-life conditions

### Ambient conditions

Degree of protection	IP65/IP67
Ambient temperature (operation)	-40 °C ... 80 °C
Ambient temperature (storage/transport)	-40 °C ... 80 °C

# VS-25-A - Panel-mount frame



1689750

<https://www.phoenixcontact.com/us/products/1689750>

Ambient temperature (assembly)	-40 °C ... 80 °C
--------------------------------	------------------

## Mounting

Mounting type	Front mounting
---------------	----------------

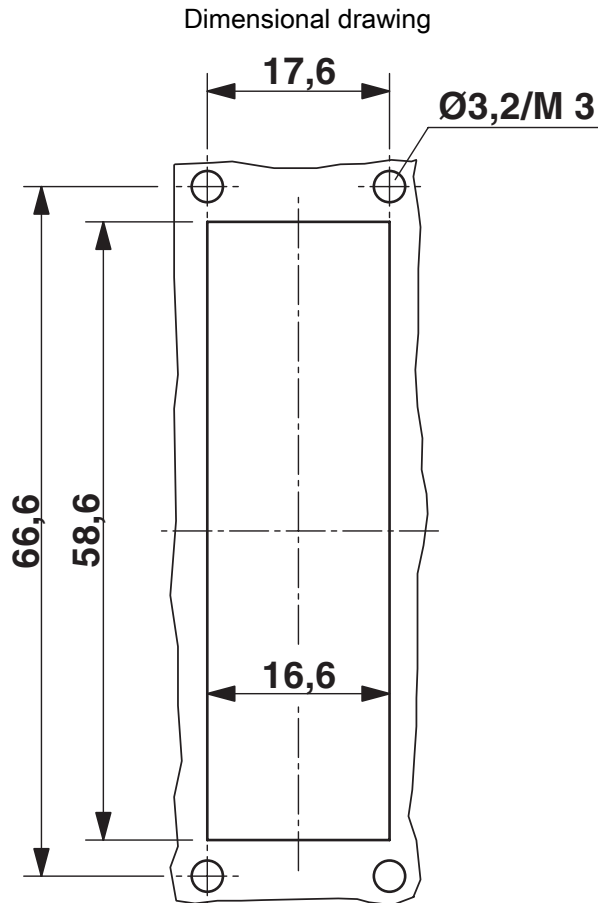
# VS-25-A - Panel-mount frame

1689750

<https://www.phoenixcontact.com/us/products/1689750>



## Drawings



Panel cutout: VS-25-A...

# VS-25-A - Panel-mount frame



1689750

<https://www.phoenixcontact.com/us/products/1689750>

## Classifications

### ECLASS

ECLASS-13.0	27440192
ECLASS-15.0	27440214

### ETIM

ETIM 10.0	EC001136
-----------	----------

### UNSPSC

UNSPSC 21.0	31261500
-------------	----------

# VS-25-A - Panel-mount frame



1689750

<https://www.phoenixcontact.com/us/products/1689750>

## Environmental product compliance

### EU RoHS

Fulfills EU RoHS substance requirements	Yes, No exemptions
---	--------------------

### China RoHS

Environment friendly use period (EFUP)	EFUP-E
	No hazardous substances above the limits

### EU REACH SVHC

REACH candidate substance (CAS No.)	6,6'-di-tert-butyl-2,2'-methylenedi-p-cresol(CAS: 119-47-1)
SCIP	d03059e5-2390-4f60-aa4c-c44d6eb65035

### EF3.1 Climate Change

CO2e kg	0.105 kg CO2e
---------	---------------

Phoenix Contact 2026 © - all rights reserved

<https://www.phoenixcontact.com>

Phoenix Contact USA  
586 Fulling Mill Road  
Middletown, PA 17057, United States  
(+717) 944-1300  
[info@phoenixcon.com](mailto:info@phoenixcon.com)