

VS-08-LI-VSIP67-VSIP67-CF-5,0 - Cable



1689572

<https://www.phoenixcontact.com/us/products/1689572>

Please be informed that the data shown in this PDF document is generated from our online catalog. Please find the complete data in the user documentation. Our general terms of use for downloads are valid.



Assembled Ethernet cable, CAT5e, shielded, 2-pair, AWG 26 stranded (7-wire), line, RAL 5021 (water blue), RJ45/IP67 on RJ45/IP67, length: 5 m

Commercial data

Item number	1689572
Packing unit	1 pc
Note	Made to order (non-returnable)
Sales key	NULL
Product key	ABNABE
GTIN	4017918907518
Weight per piece (including packing)	242.6 g
Weight per piece (excluding packing)	242.6 g
Customs tariff number	85369010
Country of origin	DE

VS-08-LI-VSIP67-VSIP67-CF-5,0 - Cable

1689572

<https://www.phoenixcontact.com/us/products/1689572>

Technical data

Product properties

Product type	Data cable preassembled
Product family	RJ45 INDUSTRIAL IE8 CAT5
Number of positions	4
Shielded	yes

Insulation characteristics

Overvoltage category	II
Degree of pollution	2

Electrical properties

Rated voltage (III/3)	60 V
Transmission characteristics (category)	CAT5 (IEC 11801:2002)

Mechanical properties

Mechanical data

Insertion/withdrawal cycles	≥ 750
-----------------------------	-------

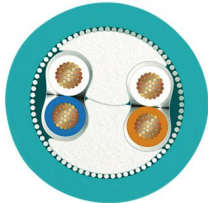
Material specifications

Seal material O-ring	FPM
Seal material Cable seal	NBR
Housing material	PA
Contact material	Copper alloy
Contact surface material	Gold over nickel
Contact carrier material	Thermoplastic
Outer sheath, material	Halogen-free compound, HM 2 in acc. with VDE 0207
Conductor material	Bare Cu litz wires

Cable/line

Cable length	5.00 m
--------------	--------

Ethernet [93E]

Dimensional drawing	
Shielded	yes
Cable weight	43 kg/km

VS-08-LI-VSIP67-VSIP67-CF-5,0 - Cable



1689572

<https://www.phoenixcontact.com/us/products/1689572>

Cable type	Ethernet
Cable type (abbreviation)	93E
Signal type/category	Ethernet CAT5 (IEC 11801), 100 Mbps
Cable structure	2x2xAWG26/7, SF/UTP
External cable diameter	5.75 mm ±0.15 mm
Outer sheath, material	PUR
External sheath, color	water blue RAL 5021
Conductor material	Bare Cu litz wires
Conductor structure signal line	7x 0.16 mm
AWG signal line	26
Conductor cross-section	2x 2x 0.14 mm ²
Material wire insulation	Foam-Skin PE
Wire diameter incl. insulation	1 mm -0.2 mm
Single wire, color	white/orange-orange, white/green-green
Twisted pairs	2 cores to the pair
Overall twist	Two pairs with two fillers to the core
Shielding	Plastic-coated aluminum foil, tinned copper braided shield
Optical shield covering	85 %
Nominal voltage, cable	50 V _{rms} 125 V (Peak value, not for high-power applications)
Test voltage Core/Core	1000 V _{rms}
Test voltage Core/Shield	500.00 V _{rms}
Cable resistance	≤ 284 Ω/km
Cable insulation resistance	≥ 5 GΩ*km
Coupling resistance	≤ 5.00 mΩ/m (at 20 MHz)
Wave impedance	100 Ω ±15 % (at 1 ... 100 MHz)
Cable capacity	nom. 48 nF/km (At 800 Hz)
Signal runtime	4.3 ns/m
Signal speed	0.77 c
Interference suppression	approx. 65.00 dB (at 30 MHz)
Tensile strength	≤ 50 N (temporary) ≤ 10 N (Permanent)
Smallest bending radius, fixed installation	30 mm (cable, fixed installation)
Smallest bending radius, movable installation	78 mm (Cable, flexible installation)
Near end crosstalk attenuation (NEXT)	66 dB/m (with 1 MHz) 57 dB/m (at 4 MHz) 52 dB/m (at 10 MHz) 50 dB/m (at 16 MHz) 47 dB/m (at 20 MHz) 45 dB/m (at 31.25 MHz) 40 dB/m (at 62.5 MHz) 36 dB/m (at 100 MHz)
Crosstalk attenuation (ACR)	6.57 dB/m (with 1 MHz) 5.64 dB/m (at 4 MHz)

VS-08-LI-VSIP67-VSIP67-CF-5,0 - Cable



1689572

<https://www.phoenixcontact.com/us/products/1689572>

	5.12 dB/m (at 10 MHz)
	4.89 dB/m (at 16 MHz)
	4.57 dB/m (at 20 MHz)
	4.34 dB/m (at 31.25 MHz)
	3.77 dB/m (at 62.5 MHz)
	3.31 dB/m (at 100 MHz)
Flame resistance	according to VDE 0482 Part 265-2-1
	according to IEC 332-1

Environmental and real-life conditions

Ambient conditions

Degree of protection	IP67
Ambient temperature (operation)	-30 °C ... 80 °C (cable, fixed installation)
	-5 °C ... 60 °C (Cable, flexible installation)
	Plug / socket

VS-08-LI-VSIP67-VSIP67-CF-5,0 - Cable

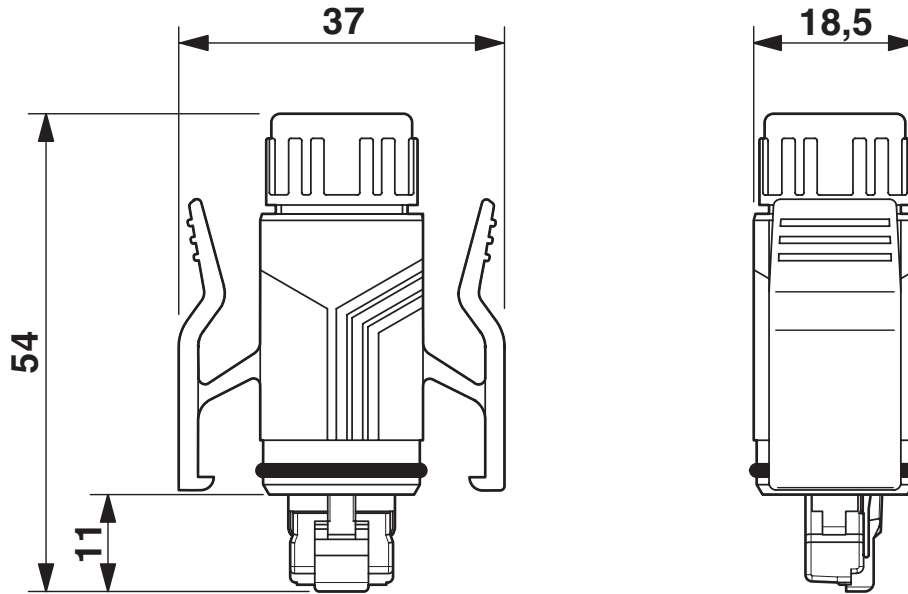


1689572

<https://www.phoenixcontact.com/us/products/1689572>

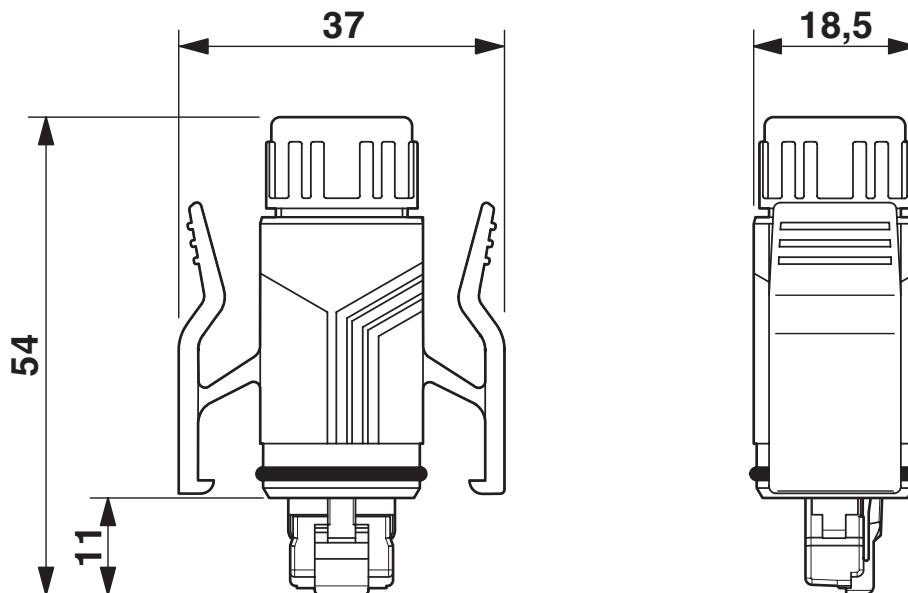
Drawings

Dimensional drawing



RJ45-connector, IP67

Dimensional drawing



RJ45-connector, IP67

VS-08-LI-VSIP67-VSIP67-CF-5,0 - Cable

1689572

<https://www.phoenixcontact.com/us/products/1689572>



Schematic diagram



Connector pin assignment plug RJ45

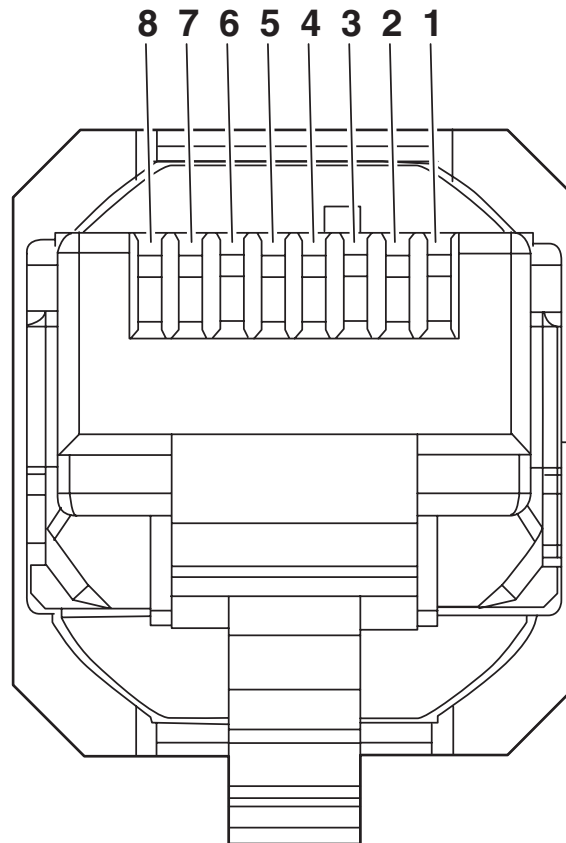
VS-08-LI-VSIP67-VSIP67-CF-5,0 - Cable

1689572

<https://www.phoenixcontact.com/us/products/1689572>



Schematic diagram



Connector pin assignment plug RJ45

VS-08-LI-VSIP67-VSIP67-CF-5,0 - Cable



1689572

<https://www.phoenixcontact.com/us/products/1689572>

Classifications

ECLASS

ECLASS-13.0	27060307
ECLASS-15.0	27060307

VS-08-LI-VSIP67-VSIP67-CF-5,0 - Cable



1689572

<https://www.phoenixcontact.com/us/products/1689572>

Environmental product compliance

EU RoHS

Fulfills EU RoHS substance requirements	Yes, No exemptions
---	--------------------

EU REACH SVHC

REACH candidate substance (CAS No.)	No substance above 0.1 wt%
-------------------------------------	----------------------------

Phoenix Contact 2026 © - all rights reserved

<https://www.phoenixcontact.com>

Phoenix Contact USA
586 Fulling Mill Road
Middletown, PA 17057, United States
(+717) 944-1300
info@phoenixcon.com