

# VS-08-KV-M20-5X8 - Cable gland

1689462

<https://www.phoenixcontact.com/us/products/1689462>

Please be informed that the data shown in this PDF document is generated from our online catalog. Please find the complete data in the user documentation. Our general terms of use for downloads are valid.



Cable screw connection M20, metal, for oval cable 5 x 8 mm

## Commercial data

Item number	1689462
Packing unit	50 pc
Minimum order quantity	1 pc
Product key	ABNMAY
GTIN	4017918925222
Weight per piece (including packing)	29.89 g
Weight per piece (excluding packing)	28.86 g
Country of origin	DE

# VS-08-KV-M20-5X8 - Cable gland



1689462

<https://www.phoenixcontact.com/us/products/1689462>

## Technical data

### Product properties

Product type	Full screw connection
No. of cable outlets	1
No. of conductors	1
Shielded	no

### Material specifications

Flammability rating according to UL 94	V0
Seal material	Thermoplastic elastomers
Material for screw connection	Brass, nickel-plated

### Cable/line

External cable diameter Cable 1	5 mm ... 8 mm (For oval cable)
External cable diameter	5 mm ... 8 mm

### Environmental and real-life conditions

#### Ambient conditions

Ambient temperature (operation)	-40 °C ... 80 °C
---------------------------------	------------------

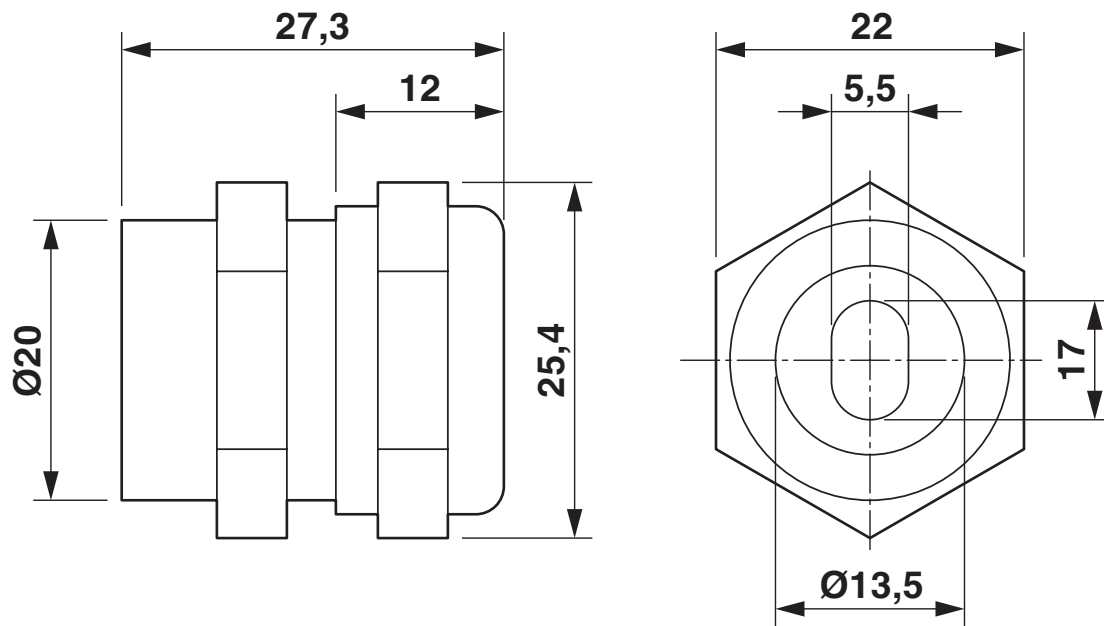
# VS-08-KV-M20-5X8 - Cable gland

1689462

<https://www.phoenixcontact.com/us/products/1689462>

## Drawings

Dimensional drawing



Cable gland

# VS-08-KV-M20-5X8 - Cable gland



1689462

<https://www.phoenixcontact.com/us/products/1689462>

## Classifications

### UNSPSC

UNSPSC 21.0	39121311
-------------	----------

# VS-08-KV-M20-5X8 - Cable gland



1689462

<https://www.phoenixcontact.com/us/products/1689462>

## Environmental product compliance

### China RoHS

Environment friendly use period (EFUP)	EFUP-50
	An article-related China RoHS declaration table can be found in the download area for the respective article under "Manufacturer declaration". For all articles with EFUP-E, no China RoHS declaration table issued and required.

### EU REACH SVHC

REACH candidate substance (CAS No.)	No substance above 0.1 wt%
-------------------------------------	----------------------------

Phoenix Contact 2026 © - all rights reserved  
<https://www.phoenixcontact.com>

Phoenix Contact USA  
586 Fulling Mill Road  
Middletown, PA 17057, United States  
(+717) 944-1300  
[info@phoenixcon.com](mailto:info@phoenixcon.com)