

VS-08-BU-RJ45/KA/LSA - RJ45 jack insert



1689459

<https://www.phoenixcontact.com/us/products/1689459>

Please be informed that the data shown in this PDF document is generated from our online catalog. Please find the complete data in the user documentation. Our general terms of use for downloads are valid.



RJ45 socket insert, modular (Keystone), CAT5e, 8-pos., shielded, with cable connection (LSA), for solid wires AWG 26 ... 22

Commercial data

Item number	1689459
Packing unit	1 pc
Note	Made to order (non-returnable)
Sales key	NULL
Product key	ABNMAY
GTIN	4017918893804
Weight per piece (including packing)	15.62 g
Weight per piece (excluding packing)	15.62 g
Customs tariff number	85366990
Country of origin	DE

VS-08-BU-RJ45/KA/LSA - RJ45 jack insert

1689459

<https://www.phoenixcontact.com/us/products/1689459>

Technical data

Product properties

Product type	Data plug
Number of positions	8
Number of slots	1
Shielded	yes

Insulation characteristics

Overvoltage category	II
Degree of pollution	2

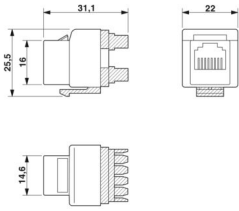
Electrical properties

Rated current	1.5 A
Transmission characteristics (category)	CAT5 (IEC 11801:2002)

Connection data

Connection method	LSA
-------------------	-----

Dimensions

Dimensional drawing	
Hole diameter	3.2 mm

Material specifications

Flammability rating according to UL 94	V0
Contact material	Copper alloy
Contact surface material	Gold over nickel

Mechanical properties

Mechanical data

Insertion/withdrawal cycles	≥ 750
-----------------------------	-------

Environmental and real-life conditions

Ambient conditions

Degree of protection	IP20
Ambient temperature (operation)	-40 °C ... 70 °C

VS-08-BU-RJ45/KA/LSA - RJ45 jack insert

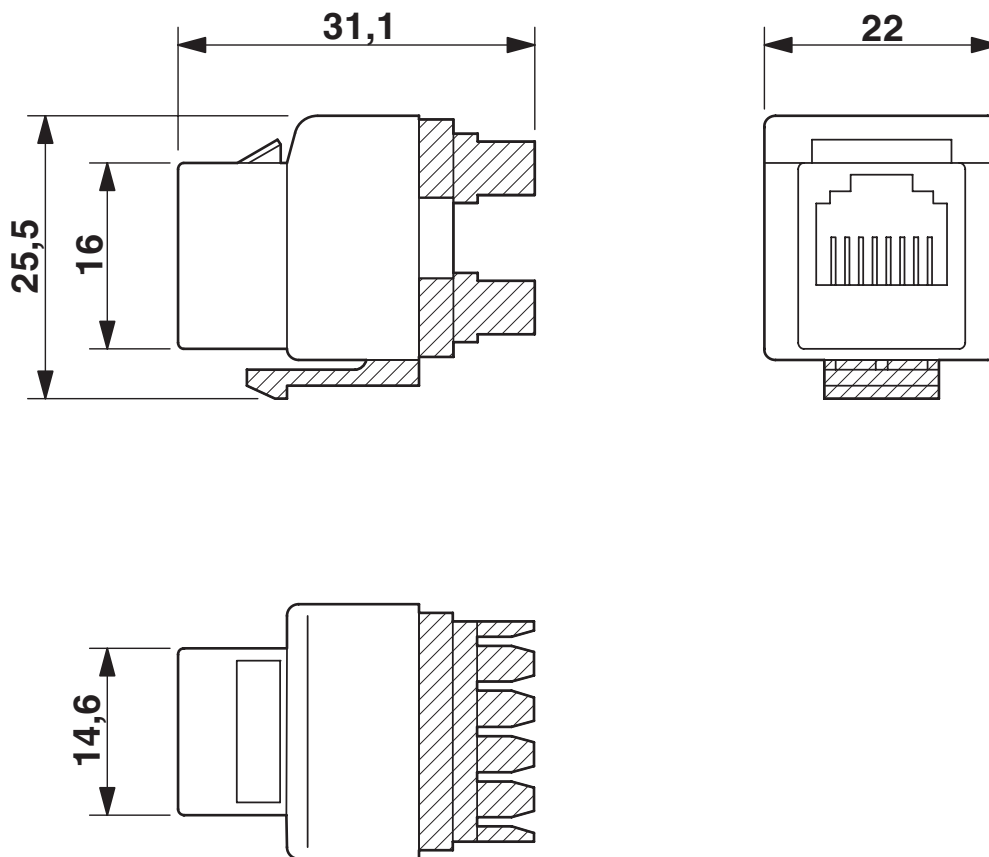


1689459

<https://www.phoenixcontact.com/us/products/1689459>

Drawings

Dimensional drawing



RJ45 socket insert, keystone

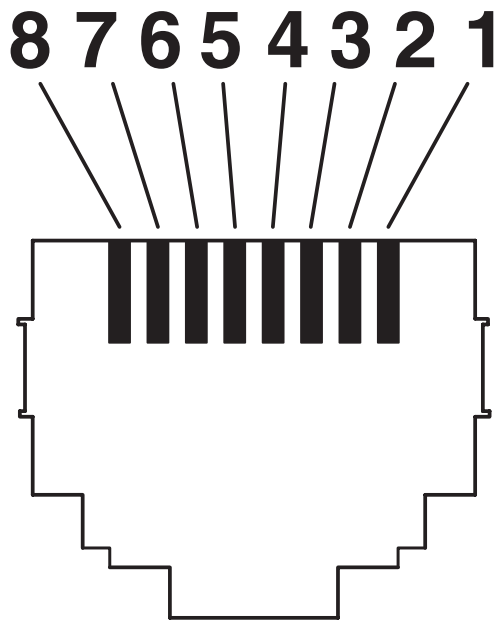
VS-08-BU-RJ45/KA/LSA - RJ45 jack insert

1689459

<https://www.phoenixcontact.com/us/products/1689459>



Schematic diagram



VS-08-BU-RJ45/KA/LSA - RJ45 jack insert



1689459

<https://www.phoenixcontact.com/us/products/1689459>

Environmental product compliance

China RoHS

Environment friendly use period (EFUP)	EFUP-50
	An article-related China RoHS declaration table can be found in the download area for the respective article under "Manufacturer declaration". For all articles with EFUP-E, no China RoHS declaration table issued and required.

EU REACH SVHC

REACH candidate substance (CAS No.)	No substance above 0.1 wt%
-------------------------------------	----------------------------

Phoenix Contact 2026 © - all rights reserved
<https://www.phoenixcontact.com>

Phoenix Contact USA
586 Fulling Mill Road
Middletown, PA 17057, United States
(+717) 944-1300
info@phoenixcon.com