

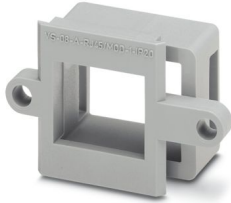
VS-08-A-RJ45/MOD-1-IP20 - Panel-mount frame



1689433

<https://www.phoenixcontact.com/us/products/1689433>

Please be informed that the data shown in this PDF document is generated from our online catalog. Please find the complete data in the user documentation. Our general terms of use for downloads are valid.



RJ45 panel mounting frame, 1x, IP20, for modular socket inserts (Keystone), without mounting screws

Commercial data

Item number	1689433
Packing unit	5 pc
Minimum order quantity	5 pc
Sales key	AB12
Product key	ABNADA
GTIN	4017918910334
Weight per piece (including packing)	3.41 g
Weight per piece (excluding packing)	2.95 g
Customs tariff number	85389099
Country of origin	DE

VS-08-A-RJ45/MOD-1-IP20 - Panel-mount frame



1689433

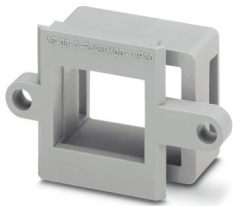
<https://www.phoenixcontact.com/us/products/1689433>

Set consists of

VS-08-A-RJ45/MOD-1-IP20 - Panel-mount frame

1689433

<https://www.phoenixcontact.com/us/products/1689433>



RJ45 panel mounting frame, 1x, IP20, for modular socket inserts (Keystone), without mounting screws

VS-08-A-RJ45/MOD-1-IP20 - Panel-mount frame



1689433

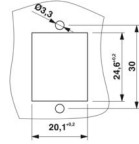
<https://www.phoenixcontact.com/us/products/1689433>

Technical data

Product properties

Product type	Panel-mount frame
Application	Modular insert
Type	RJ45
Number of positions	8
Connection profile	RJ45
Number of slots	1

Dimensions

Dimensional drawing	
Width	35.5 mm
Height	22.5 mm
Depth	13.4 mm

Material specifications

Color	gray
Material	Plastic
Flammability rating according to UL 94	V0
Seal material	NBR
Housing material	Plastic
Housing surface material	PA, light gray
Contact surface material	Au/Ni
Contact carrier material	Polyester GF

Environmental and real-life conditions

Ambient conditions

Degree of protection	IP20
Ambient temperature (operation)	-40 °C ... 80 °C

Mounting

Mounting type	Front mounting
---------------	----------------

VS-08-A-RJ45/MOD-1-IP20 - Panel-mount frame

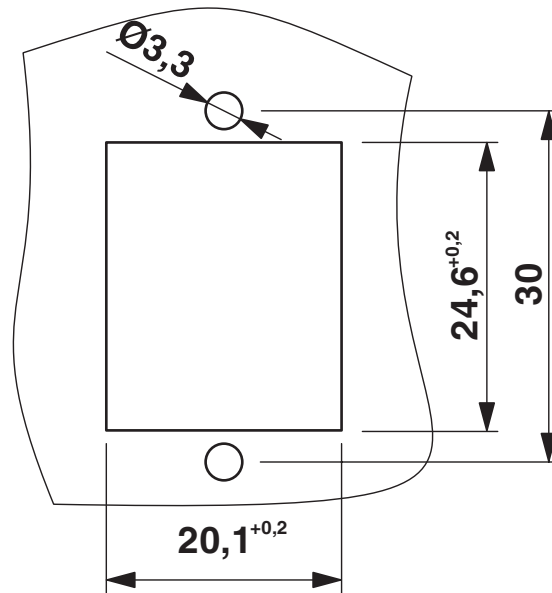
1689433

<https://www.phoenixcontact.com/us/products/1689433>



Drawings

Dimensional drawing



Mounting cutout

VS-08-A-RJ45/MOD-1-IP20 - Panel-mount frame



1689433

<https://www.phoenixcontact.com/us/products/1689433>

Classifications

ECLASS

ECLASS-13.0	27440210
ECLASS-15.0	27440210

ETIM

ETIM 10.0	EC002310
-----------	----------

UNSPSC

UNSPSC 21.0	39121400
-------------	----------

1689433

<https://www.phoenixcontact.com/us/products/1689433>

Environmental product compliance

EU RoHS

Fulfills EU RoHS substance requirements	Yes, No exemptions
---	--------------------

China RoHS

Environment friendly use period (EFUP)	EFUP-E
	No hazardous substances above the limits

EU REACH SVHC

REACH candidate substance (CAS No.)	No substance above 0.1 wt%
-------------------------------------	----------------------------

EF3.1 Climate Change

CO2e kg	0.056 kg CO2e
---------	---------------

Phoenix Contact 2026 © - all rights reserved
<https://www.phoenixcontact.com>

Phoenix Contact USA
586 Fulling Mill Road
Middletown, PA 17057, United States
(+717) 944-1300
info@phoenixcon.com