

# VS-8-VS67-RJ45/4P-AWG26-OF/2,0 - Data cable



1689417

<https://www.phoenixcontact.com/us/products/1689417>

Please be informed that the data shown in this PDF document is generated from our online catalog. Please find the complete data in the user documentation. Our general terms of use for downloads are valid.



Assembled Ethernet cable, CAT5e, shielded, 2-pair, AWG 26 stranded (7-wire), line, RAL 5021 (water blue), RJ45/IP67 on RJ45, length: 2 m

The image shows an order with a blue cable

## Commercial data

Item number	1689417
Packing unit	1 pc
Minimum order quantity	1 pc
Product key	ABNABE
GTIN	4017918893422
Weight per piece (including packing)	98.5 g
Weight per piece (excluding packing)	98.5 g
Country of origin	DE

1689417

<https://www.phoenixcontact.com/us/products/1689417>

## Technical data

### Product properties

Product type	Data cable preassembled
Product family	RJ45 INDUSTRIAL IE8 CAT5
Sensor type	Ethernet
Number of positions	4
Shielded	yes

### Insulation characteristics

Overvoltage category	II
Degree of pollution	2

### Electrical properties

Rated voltage (III/3)	72 V (DC)
Transmission medium	Copper
Transmission characteristics (category)	CAT5 (IEC 11801:2002)

### Material specifications

Flammability rating according to UL 94	V0
--	----

### Connector

#### Connection 1

Type	Plug straight RJ45
Degree of protection	IP67

#### Connection 2

Type	Plug straight RJ45
Degree of protection	IP20

### Cable/line

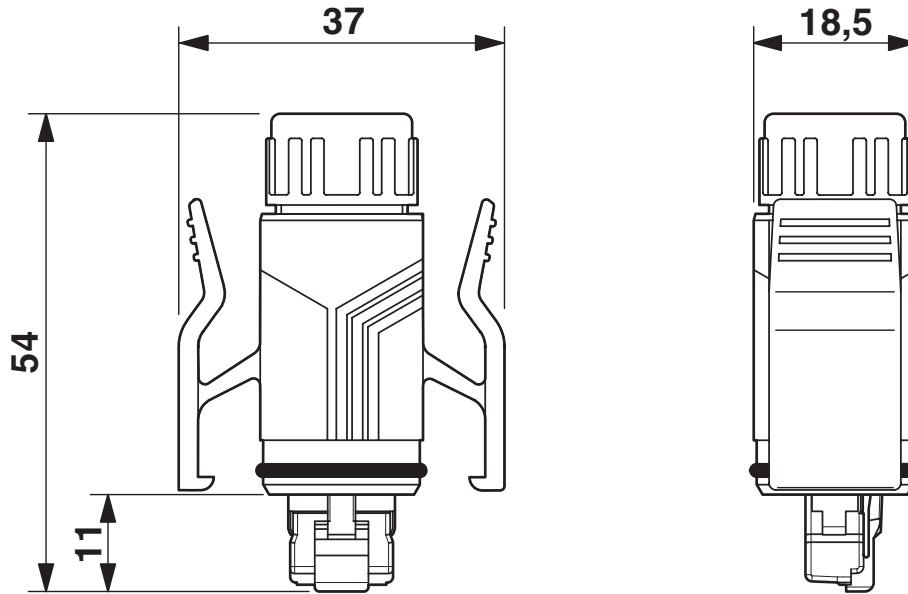
Cable structure	4x2xAWG26/7; S-UTP
-----------------	--------------------

1689417

<https://www.phoenixcontact.com/us/products/1689417>

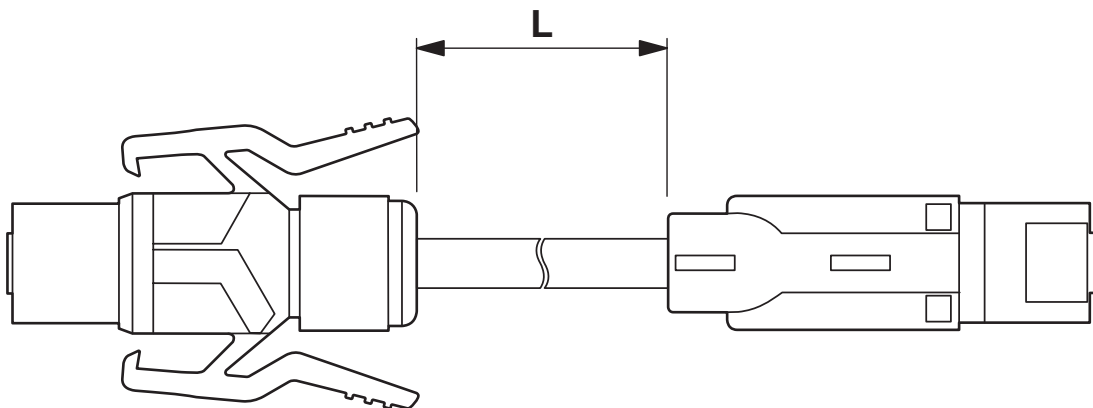
### Drawings

Dimensional drawing



RJ45 connector, IP67

Dimensional drawing



RJ45 connector, IP20

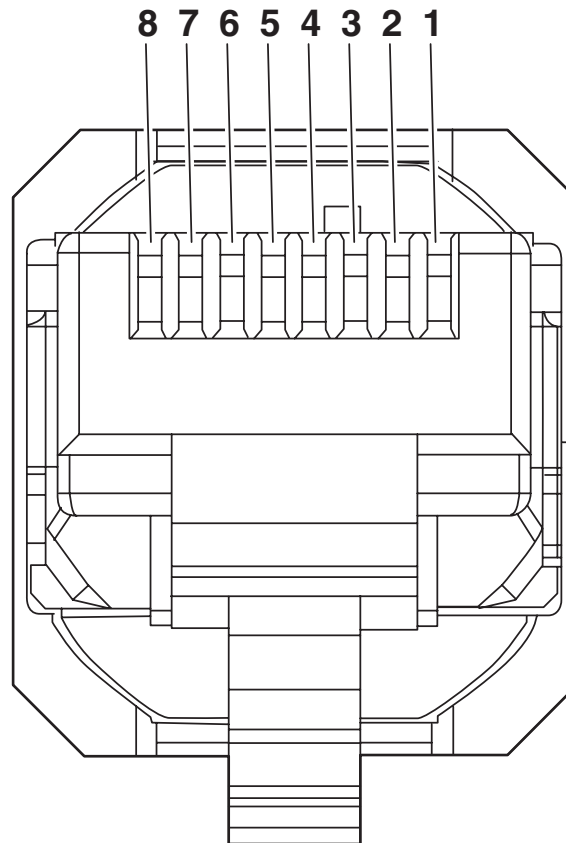
# VS-8-VS67-RJ45/4P-AWG26-OF/2,0 - Data cable

1689417

<https://www.phoenixcontact.com/us/products/1689417>



Schematic diagram



Connector pin assignment plug RJ45

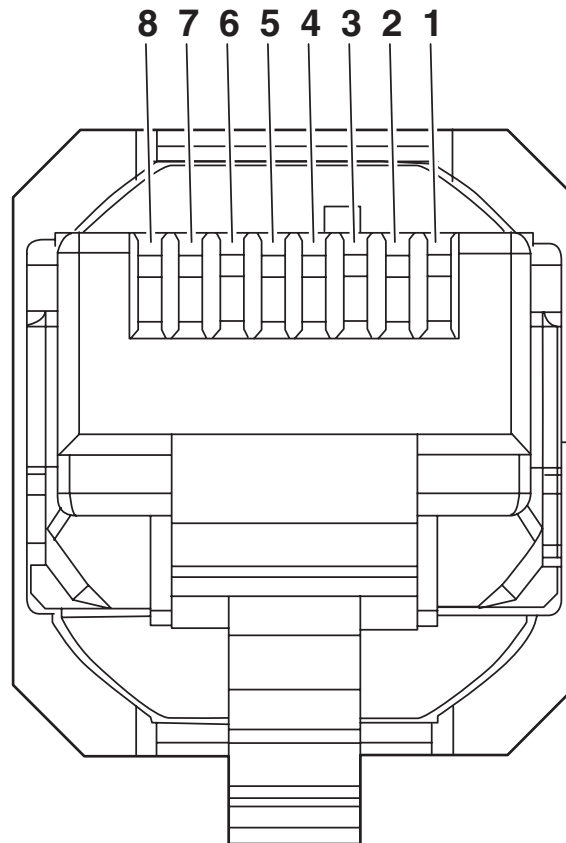
# VS-8-VS67-RJ45/4P-AWG26-OF/2,0 - Data cable

1689417

<https://www.phoenixcontact.com/us/products/1689417>



Schematic diagram



Connector pin assignment plug RJ45

# VS-8-VS67-RJ45/4P-AWG26-OF/2,0 - Data cable



1689417

<https://www.phoenixcontact.com/us/products/1689417>

## Classifications

### ECLASS

ECLASS-13.0	27060307
ECLASS-15.0	27060307

1689417

<https://www.phoenixcontact.com/us/products/1689417>

## Environmental product compliance

### China RoHS

Environment friendly use period (EFUP)	EFUP-50
	An article-related China RoHS declaration table can be found in the download area for the respective article under "Manufacturer declaration". For all articles with EFUP-E, no China RoHS declaration table issued and required.

### EU REACH SVHC

REACH candidate substance (CAS No.)	No substance above 0.1 wt%
-------------------------------------	----------------------------

Phoenix Contact 2026 © - all rights reserved  
<https://www.phoenixcontact.com>

Phoenix Contact USA  
586 Fulling Mill Road  
Middletown, PA 17057, United States  
(+717) 944-1300  
[info@phoenixcon.com](mailto:info@phoenixcon.com)