

VS-8-VS67-RJ45/4P-AWG26-OF/1,0 - Data cable



1689404

<https://www.phoenixcontact.com/us/products/1689404>

Please be informed that the data shown in this PDF document is generated from our online catalog. Please find the complete data in the user documentation. Our general terms of use for downloads are valid.



Assembled Ethernet cable, CAT5e, shielded, 2-pair, AWG 26 stranded (7-wire), line, RAL 5021 (water blue), RJ45/IP67 on RJ45, length: 1 m

The image shows an order with a blue cable

Commercial data

Item number	1689404
Packing unit	1 pc
Minimum order quantity	1 pc
Product key	ABNABE
GTIN	4017918893415
Weight per piece (including packing)	62.5 g
Weight per piece (excluding packing)	62.5 g
Country of origin	DE

1689404

<https://www.phoenixcontact.com/us/products/1689404>

Technical data

Product properties

Product type	Data cable preassembled
Product family	RJ45 INDUSTRIAL IE8 CAT5
Sensor type	Ethernet
Number of positions	4
Shielded	yes

Insulation characteristics

Overvoltage category	II
Degree of pollution	2

Electrical properties

Rated voltage (III/3)	60 V
Transmission medium	Copper
Transmission characteristics (category)	CAT5 (IEC 11801:2002)

Material specifications

Flammability rating according to UL 94	V0
--	----

Connector

Connection 1

Type	Plug straight RJ45
Degree of protection	IP67

Connection 2

Type	Plug straight RJ45
Degree of protection	IP20

Cable/line

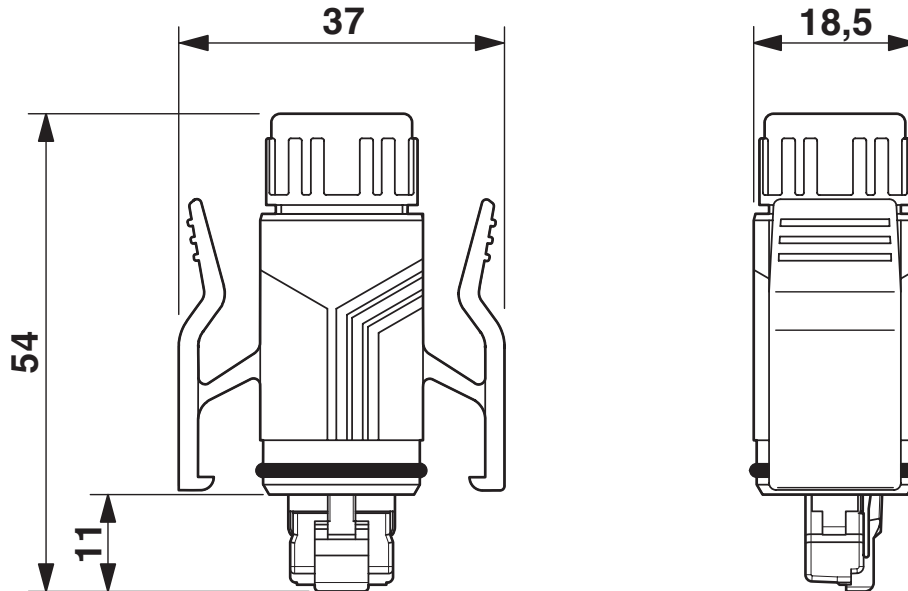
Cable structure	4x2xAWG26/7; S-UTP
-----------------	--------------------

1689404

<https://www.phoenixcontact.com/us/products/1689404>

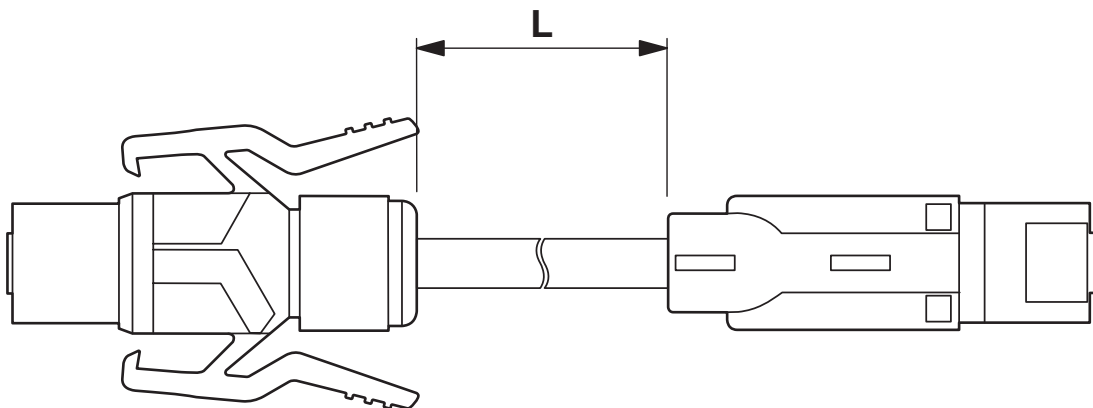
Drawings

Dimensional drawing



RJ45 connector, IP67

Dimensional drawing



RJ45 connector, IP20

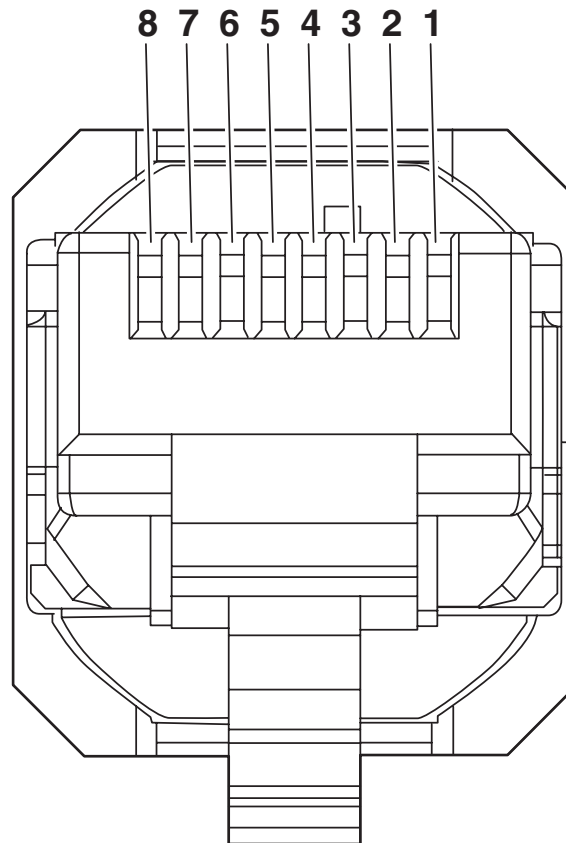
VS-8-VS67-RJ45/4P-AWG26-OF/1,0 - Data cable

1689404

<https://www.phoenixcontact.com/us/products/1689404>



Schematic diagram



Connector pin assignment plug RJ45

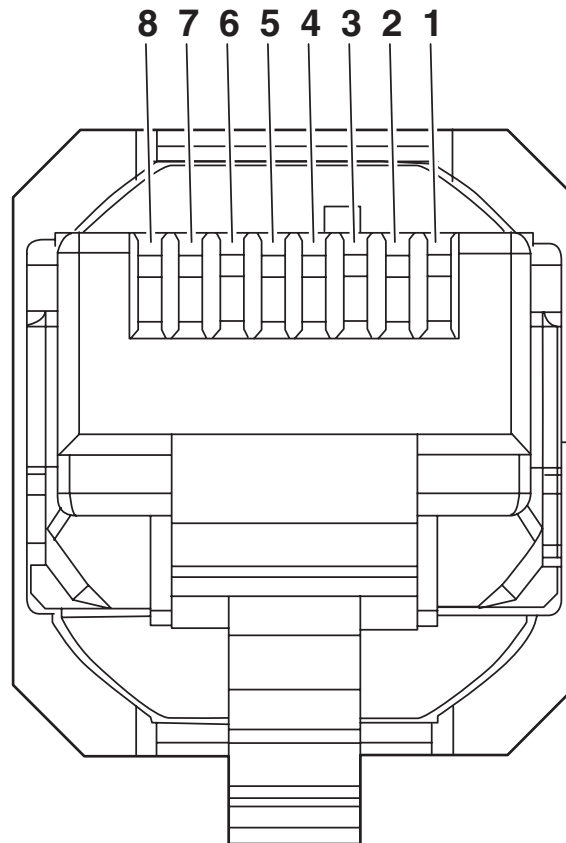
VS-8-VS67-RJ45/4P-AWG26-OF/1,0 - Data cable

1689404

<https://www.phoenixcontact.com/us/products/1689404>



Schematic diagram



Connector pin assignment plug RJ45

VS-8-VS67-RJ45/4P-AWG26-OF/1,0 - Data cable



1689404

<https://www.phoenixcontact.com/us/products/1689404>

Classifications

ECLASS

ECLASS-13.0	27060307
ECLASS-15.0	27060307

VS-8-VS67-RJ45/4P-AWG26-OF/1,0 - Data cable



1689404

<https://www.phoenixcontact.com/us/products/1689404>

Environmental product compliance

China RoHS

Environment friendly use period (EFUP)	EFUP-E
	No hazardous substances above the limits

EU REACH SVHC

REACH candidate substance (CAS No.)	No substance above 0.1 wt%
-------------------------------------	----------------------------

Phoenix Contact 2026 © - all rights reserved
<https://www.phoenixcontact.com>

Phoenix Contact USA
586 Fulling Mill Road
Middletown, PA 17057, United States
(+717) 944-1300
info@phoenixcon.com