

# VS-08-TB-RJ45/IP65 - Terminal outlet



1689352

<https://www.phoenixcontact.com/us/products/1689352>

Please be informed that the data shown in this PDF document is generated from our online catalog. Please find the complete data in the user documentation. Our general terms of use for downloads are valid.



Terminal outlet, VS-RJ45/IP67, surface mounting, IP65, one slot, LSA connection, CAT5e, for round cable 5 mm ... 10 mm, color: gray

## Commercial data

Item number	1689352
Packing unit	1 pc
Note	Made to order (non-returnable)
Sales key	NULL
Product key	ABNMAY
GTIN	4017918899837
Weight per piece (including packing)	367.5 g
Weight per piece (excluding packing)	363.6 g
Customs tariff number	85369010
Country of origin	DE

## Technical data

### Product properties

Application	Ethernet
Number of positions	8
No. of cable outlets	1
Number of slots	1
Shielded	yes

### Insulation characteristics

Overvoltage category	II
Degree of pollution	2

### Electrical properties

Rated current	1.5 A
Transmission characteristics (category)	CAT5 (IEC 11801:2002)

### Connection data

Connection method	LSA
-------------------	-----

### Material specifications

Color	beige RAL 1001
Housing material	Aluminum alloy
Contact material	Copper alloy
Contact surface material	Gold over nickel

### Cable/line

Cable type	Round cable
External cable diameter	5 mm ... 10 mm

### Mechanical properties

#### Mechanical data

Insertion/withdrawal cycles	≥ 750
-----------------------------	-------

### Environmental and real-life conditions

#### Ambient conditions

Degree of protection	IP65
Ambient temperature (operation)	-40 °C ... 80 °C

### Mounting

Mounting type	Surface/Panel mounting
---------------	------------------------

# VS-08-TB-RJ45/IP65 - Terminal outlet

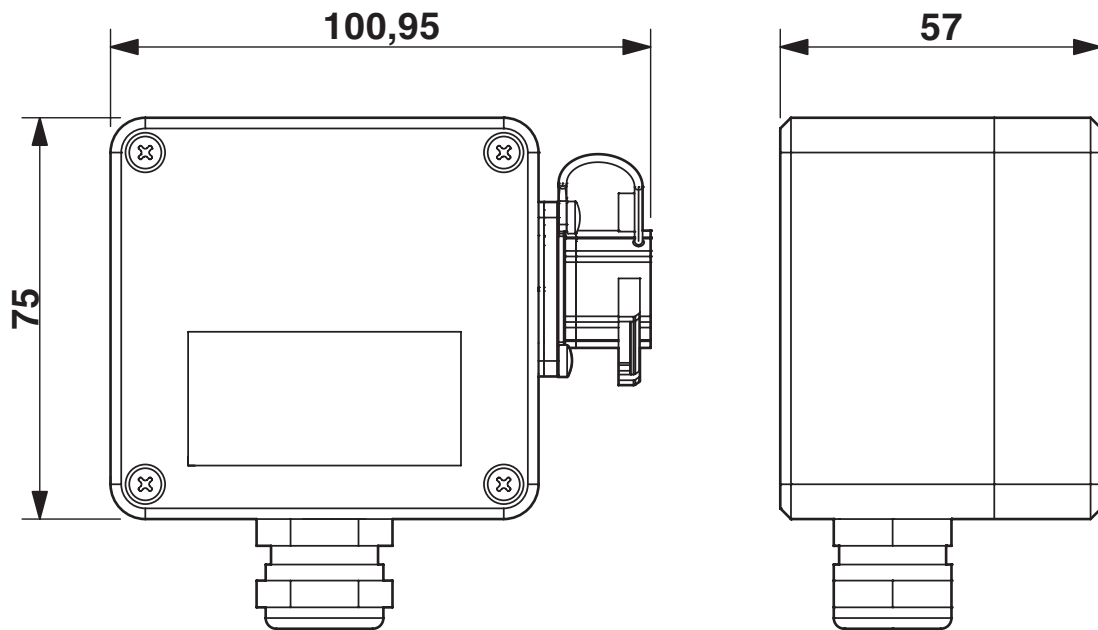


1689352

<https://www.phoenixcontact.com/us/products/1689352>

## Drawings

Dimensional drawing



Terminal outlet

# VS-08-TB-RJ45/IP65 - Terminal outlet



1689352

<https://www.phoenixcontact.com/us/products/1689352>

## Environmental product compliance

EU REACH SVHC

REACH candidate substance (CAS No.)	No substance above 0.1 wt%
-------------------------------------	----------------------------

Phoenix Contact 2026 © - all rights reserved

<https://www.phoenixcontact.com>

Phoenix Contact USA  
586 Fulling Mill Road  
Middletown, PA 17057, United States  
(+717) 944-1300  
[info@phoenixcon.com](mailto:info@phoenixcon.com)