

# VS-PSC 1,5/3-M - PCB header



1689310

<https://www.phoenixcontact.com/us/products/1689310>

Please be informed that the data shown in this PDF document is generated from our online catalog. Please find the complete data in the user documentation. Our general terms of use for downloads are valid.

POWER-SUBCON header, for mounting side, shielded, color: green



## Commercial data

|                                      |                                |
|--------------------------------------|--------------------------------|
| Item number                          | 1689310                        |
| Packing unit                         | 10 pc                          |
| Minimum order quantity               | 10 pc                          |
| Note                                 | Made to order (non-returnable) |
| Sales key                            | AB19                           |
| Product key                          | ABNCAB                         |
| GTIN                                 | 4017918883768                  |
| Weight per piece (including packing) | 6.89 g                         |
| Weight per piece (excluding packing) | 5.469 g                        |
| Customs tariff number                | 85366990                       |
| Country of origin                    | PL                             |

## Technical data

### Notes

|                    |  |
|--------------------|--|
| Notes on operation | Only actuate MINI COMBICON connectors when under no load condition. If for operating reasons small loads must be switched, experimental values are available upon request. |
|--------------------|--|

### Product properties

|                     |                |
|---------------------|----------------|
| Product type        | Contact insert |
| Type                | D-SUB          |
| Number of positions | 3              |

#### Insulation characteristics

|                      |     |
|----------------------|-----|
| Overvoltage category | III |
| Degree of pollution  | 3   |

### Electrical properties

|                       |        |
|-----------------------|--------|
| Rated voltage (III/3) | 250 V  |
| Rated surge voltage   | 4 kV   |
| Rated current         | 8 A    |
| Contact resistance    | 3 mΩ   |
| Insulation resistance | 1 TΩ   |
| Transmission medium   | Copper |

### Connection data

|                   |                |
|-------------------|----------------|
| Connection method | PCB connection |
|-------------------|----------------|

### Dimensions

|        |         |
|--------|---------|
| Width  | 30.8 mm |
| Height | 13.7 mm |
| Length | 20.8 mm |

### Material specifications

|  |              |
|--|--------------|
| Flammability rating according to UL 94 | V0           |
| Contact material                       | Copper alloy |
| Contact surface material               | tin-plated   |
| Contact carrier material               | PA           |

### Mechanical properties

#### Mechanical data

|                             |       |
|-----------------------------|-------|
| Insertion/withdrawal cycles | ≥ 100 |
|-----------------------------|-------|

### Environmental and real-life conditions

#### Ambient conditions

# VS-PSC 1,5/3-M - PCB header



1689310

<https://www.phoenixcontact.com/us/products/1689310>

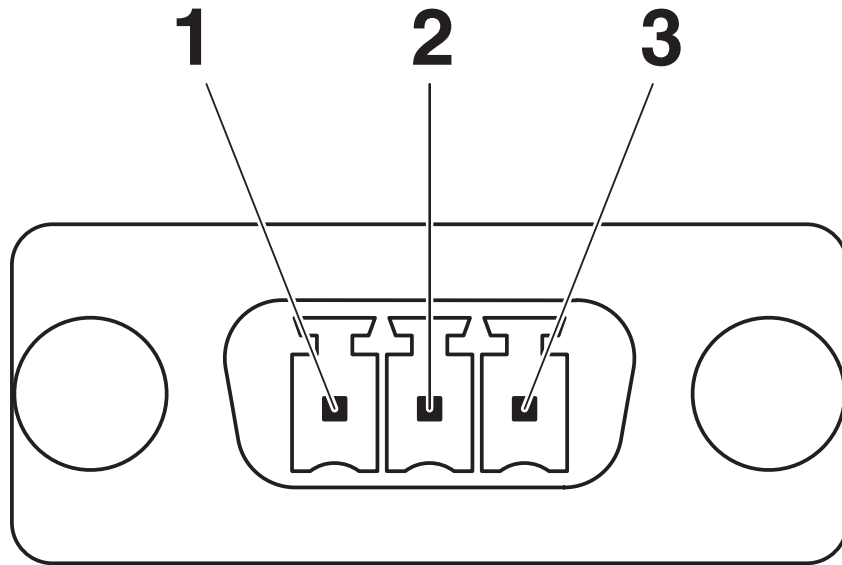
|                                 |                  |
|---------------------------------|------------------|
| Degree of protection            | IP20             |
| Ambient temperature (operation) | -20 °C ... 80 °C |

## Mounting

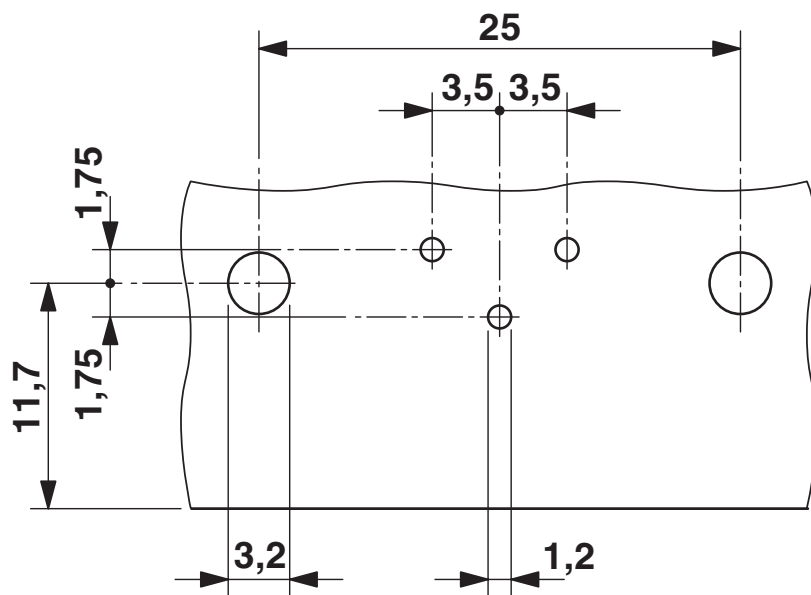
|               |         |
|---------------|---------|
| Mounting type | Threads |
|---------------|---------|

Drawings

Schematic diagram



Drilling plan/solder pad geometry



Drilling diagram

# VS-PSC 1,5/3-M - PCB header



1689310

<https://www.phoenixcontact.com/us/products/1689310>

## Classifications

### ECLASS

|             |          |
|-------------|----------|
| ECLASS-13.0 | 27440302 |
| ECLASS-15.0 | 27440323 |

### ETIM

|           |          |
|-----------|----------|
| ETIM 10.0 | EC001132 |
|-----------|----------|

### UNSPSC

|             |          |
|-------------|----------|
| UNSPSC 21.0 | 39121400 |
|-------------|----------|

# VS-PSC 1,5/3-M - PCB header



1689310

<https://www.phoenixcontact.com/us/products/1689310>

## Environmental product compliance

### EU RoHS

|   |                    |
|---|--------------------|
| Fulfills EU RoHS substance requirements | Yes, No exemptions |
|---|--------------------|

### China RoHS

|  |  |
|--|--|
| Environment friendly use period (EFUP) | EFUP-E                                   |
|  | No hazardous substances above the limits |

### EU REACH SVHC

|                                     |                            |
|-------------------------------------|----------------------------|
| REACH candidate substance (CAS No.) | No substance above 0.1 wt% |
|-------------------------------------|----------------------------|

Phoenix Contact 2026 © - all rights reserved  
<https://www.phoenixcontact.com>

Phoenix Contact USA  
586 Fulling Mill Road  
Middletown, PA 17057, United States  
(+717) 944-1300  
[info@phoenixcon.com](mailto:info@phoenixcon.com)