

# VS-08-A-RJ45/MOD-1-IP67 - Panel-mount frame



1689080

<https://www.phoenixcontact.com/us/products/1689080>

Please be informed that the data shown in this PDF document is generated from our online catalog. Please find the complete data in the user documentation. Our general terms of use for downloads are valid.



RJ45 panel mounting frame, IP67, for modular socket inserts (Keystone), for square panel cutout, with grommet, without mounting screws, color: gray

## Commercial data

Item number	1689080
Packing unit	5 pc
Minimum order quantity	1 pc
Sales key	AB17
Product key	ABNNDB
GTIN	4017918863623
Weight per piece (including packing)	7.1 g
Weight per piece (excluding packing)	6.8 g
Customs tariff number	85389099
Country of origin	DE

# VS-08-A-RJ45/MOD-1-IP67 - Panel-mount frame



1689080

<https://www.phoenixcontact.com/us/products/1689080>

## Technical data

### Product properties

Product type	Panel-mount frame
Application	Modular insert
Type	RJ45
Number of positions	8
Connection profile	RJ45
Number of slots	1

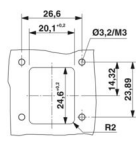
### Insulation characteristics

Degree of pollution	2
---------------------	---

### Electrical properties

Transmission medium	Copper
---------------------	--------

### Dimensions

Dimensional drawing	
Width	32.6 mm
Height	32.6 mm
Depth	16 mm
Length	16.3 mm

### Material specifications

Color	gray
Material	Plastic
Flammability rating according to UL 94	V0
Seal material	NBR
Seal material, flat gasket	NBR
Housing material	Plastic
Housing surface material	PA, light gray
Contact surface material	Au/Ni
Contact carrier material	Polyester GF

### Mechanical properties

#### Mechanical data

Insertion/withdrawal cycles	≥ 1000
-----------------------------	--------

### Environmental and real-life conditions

# VS-08-A-RJ45/MOD-1-IP67 - Panel-mount frame



1689080

<https://www.phoenixcontact.com/us/products/1689080>

## Ambient conditions

Degree of protection	IP65/IP67
Ambient temperature (operation)	-40 °C ... 80 °C
Ambient temperature (storage/transport)	-40 °C ... 70 °C
Ambient temperature (assembly)	-5 °C ... 55 °C

## Mounting

Mounting type	Front mounting
---------------	----------------

# VS-08-A-RJ45/MOD-1-IP67 - Panel-mount frame

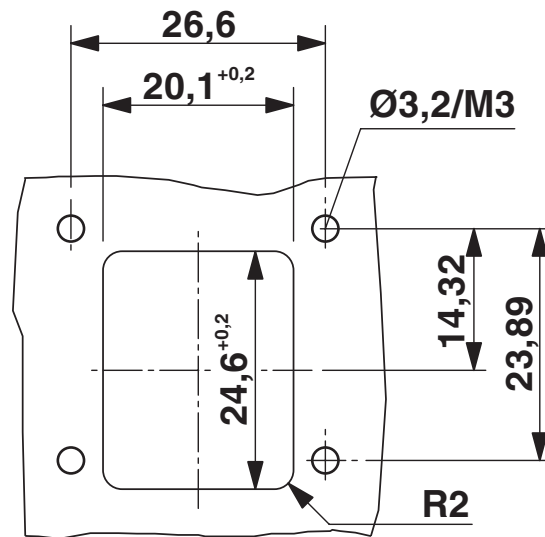


1689080

<https://www.phoenixcontact.com/us/products/1689080>

## Drawings

Dimensional drawing



Mounting cutout

# VS-08-A-RJ45/MOD-1-IP67 - Panel-mount frame



1689080

<https://www.phoenixcontact.com/us/products/1689080>

## Classifications

### ECLASS

ECLASS-13.0	27440392
ECLASS-15.0	27440210

### ETIM

ETIM 10.0	EC002310
-----------	----------

### UNSPSC

UNSPSC 21.0	39121400
-------------	----------

# VS-08-A-RJ45/MOD-1-IP67 - Panel-mount frame



1689080

<https://www.phoenixcontact.com/us/products/1689080>

## Environmental product compliance

### EU RoHS

Fulfills EU RoHS substance requirements	Yes, No exemptions
---	--------------------

### China RoHS

Environment friendly use period (EFUP)	EFUP-E
	No hazardous substances above the limits

### EU REACH SVHC

REACH candidate substance (CAS No.)	No substance above 0.1 wt%
-------------------------------------	----------------------------

Phoenix Contact 2026 © - all rights reserved  
<https://www.phoenixcontact.com>

Phoenix Contact USA  
586 Fulling Mill Road  
Middletown, PA 17057, United States  
(+717) 944-1300  
[info@phoenixcon.com](mailto:info@phoenixcon.com)