

VS-BU-CD-1,0/14,4/0,2 - D-SUB crimp contact



1688997

<https://www.phoenixcontact.com/us/products/1688997>

Please be informed that the data shown in this PDF document is generated from our online catalog. Please find the complete data in the user documentation. Our general terms of use for downloads are valid.



Crimp contact, for D-SUB contact inserts with standard contact density, socket, connection cross section AWG 28 ... 24, turned, gold-plated

Commercial data

Item number	1688997
Packing unit	1 pc
Note	Made to order (non-returnable)
Sales key	NULL
Product key	ABNCAB
GTIN	4017918822910
Weight per piece (including packing)	0.323 g
Weight per piece (excluding packing)	0.319 g
Customs tariff number	85366990
Country of origin	DE

VS-BU-CD-1,0/14,4/0,2 - D-SUB crimp contact



1688997

<https://www.phoenixcontact.com/us/products/1688997>

Technical data

Product properties

Product type	Crimp contact
Series	HC-M-DSUB
	HC-M-25
	HC-M-08-GBIT
Contact material type	turned

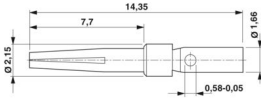
Connection data

Connection method	Crimp connection
Contact connection type	Socket
Connection technology	Crimp connection
Conductor cross-section	0.08 mm ² ... 0.2 mm ²
Connection cross section AWG	28 ... 24

Material specifications

Contact material	Copper alloy
Contact surface material	Hard gold-plated over nickel

Dimensions

Dimensional drawing	
Length	13.7 mm

Mechanical characteristics

Contact diameter	1 mm
------------------	------

Electrical properties

Rated voltage (III/3)	125 V
Rated surge voltage	1 kV
Rated current	5 A
Insulation resistance	≥ 5 GΩ

Mechanical properties

Mechanical data

Insertion/withdrawal cycles	≥ 50
-----------------------------	------

Environmental and real-life conditions

Ambient conditions

VS-BU-CD-1,0/14,4/0,2 - D-SUB crimp contact

1688997

<https://www.phoenixcontact.com/us/products/1688997>



Ambient temperature (operation)

-55 °C ... 125 °C

VS-BU-CD-1,0/14,4/0,2 - D-SUB crimp contact

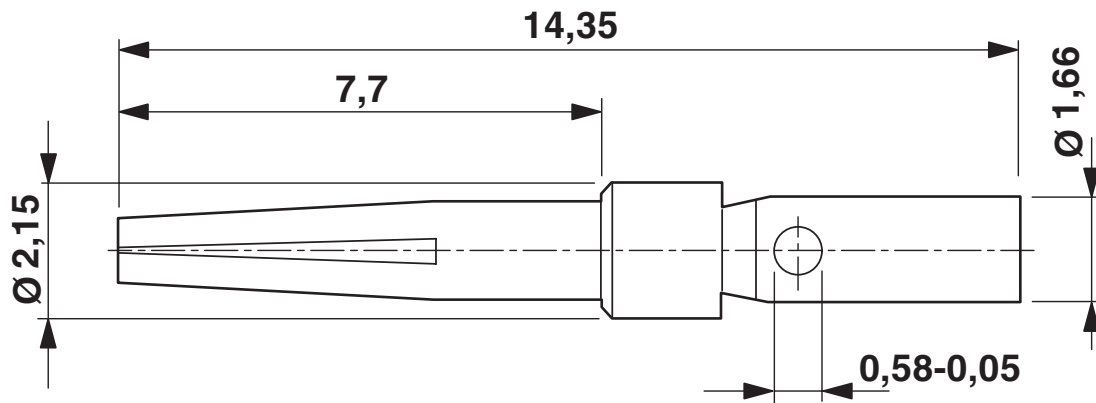


1688997

<https://www.phoenixcontact.com/us/products/1688997>

Drawings

Dimensional drawing



D-SUB crimp contact socket

VS-BU-CD-1,0/14,4/0,2 - D-SUB crimp contact



1688997

<https://www.phoenixcontact.com/us/products/1688997>

Classifications

ECLASS

ECLASS-13.0	27440302
-------------	----------

VS-BU-CD-1,0/14,4/0,2 - D-SUB crimp contact



1688997

<https://www.phoenixcontact.com/us/products/1688997>

Environmental product compliance

China RoHS

Environment friendly use period (EFUP)	EFUP-50 An article-related China RoHS declaration table can be found in the download area for the respective article under "Manufacturer declaration". For all articles with EFUP-E, no China RoHS declaration table issued and required.
--	--

EU REACH SVHC

REACH candidate substance (CAS No.)	No substance above 0.1 wt%
-------------------------------------	----------------------------

Phoenix Contact 2026 © - all rights reserved
<https://www.phoenixcontact.com>

Phoenix Contact USA
586 Fulling Mill Road
Middletown, PA 17057, United States
(+717) 944-1300
info@phoenixcon.com