

# VS-08-A-RJ45/LP-4-IP 20 - Panel-mount frame

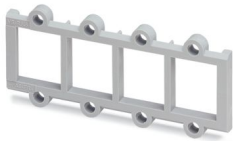


1688667

<https://www.phoenixcontact.com/us/products/1688667>

Please be informed that the data shown in this PDF document is generated from our online catalog. Please find the complete data in the user documentation. Our general terms of use for downloads are valid.

RJ45 panel mounting frame, 4x, IP20, for socket inserts for PCB connection, without mounting screws



## Commercial data

Item number	1688667
Packing unit	5 pc
Minimum order quantity	5 pc
Sales key	AB12
Product key	ABNADA
GTIN	4017918819439
Weight per piece (including packing)	2.33 g
Weight per piece (excluding packing)	1.83 g
Customs tariff number	85389099
Country of origin	DE

# VS-08-A-RJ45/LP-4-IP 20 - Panel-mount frame

1688667

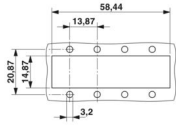
<https://www.phoenixcontact.com/us/products/1688667>

## Technical data

### Product properties

Product type	Panel-mount frame
Type	RJ45
Number of positions	8
Connection profile	RJ45
Number of slots	4

### Dimensions

Dimensional drawing	
Width	60 mm
Height	26.5 mm
Depth	3.6 mm

### Material specifications

Color	gray
Material	Plastic
Flammability rating according to UL 94	V0
Seal material	NBR
Housing material	Plastic
Housing surface material	PA, light gray
Contact surface material	Au/Ni
Contact carrier material	Polyester GF

### Environmental and real-life conditions

#### Ambient conditions

Degree of protection	IP20
Ambient temperature (operation)	-40 °C ... 80 °C

### Mounting

Mounting type	Front mounting
---------------	----------------

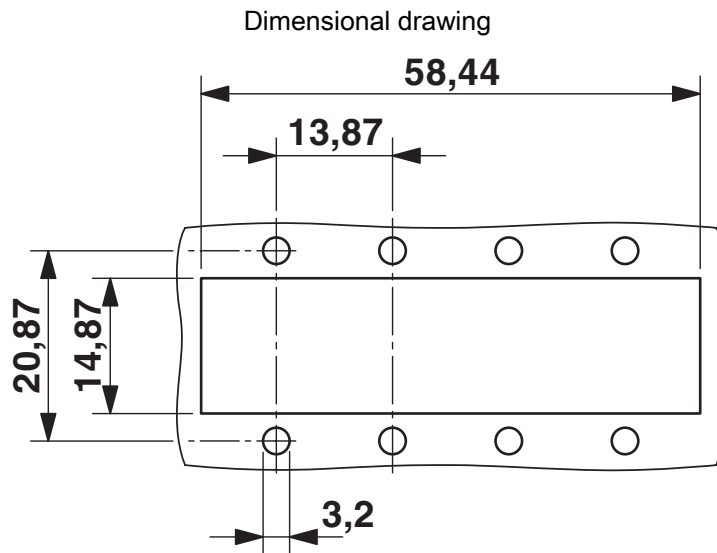
# VS-08-A-RJ45/LP-4-IP 20 - Panel-mount frame



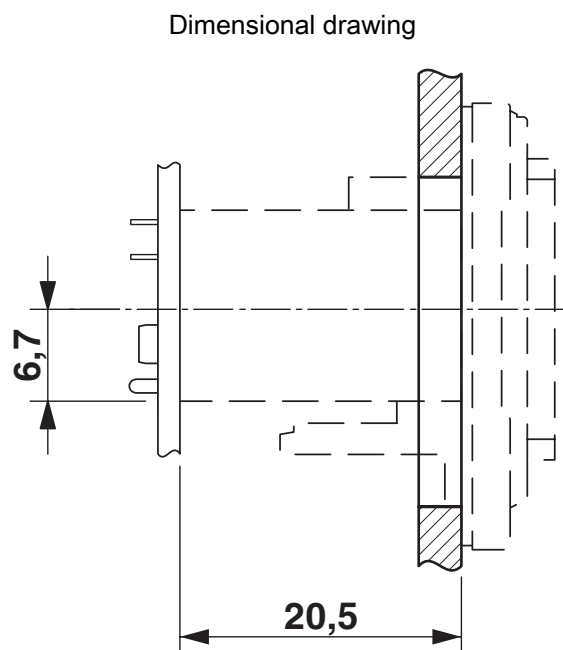
1688667

<https://www.phoenixcontact.com/us/products/1688667>

## Drawings



Mounting cutout



Mounting cutout

# VS-08-A-RJ45/LP-4-IP 20 - Panel-mount frame



1688667

<https://www.phoenixcontact.com/us/products/1688667>

## Classifications

### ECLASS

ECLASS-13.0	27440210
ECLASS-15.0	27440210

### ETIM

ETIM 10.0	EC002310
-----------	----------

### UNSPSC

UNSPSC 21.0	39121400
-------------	----------

# VS-08-A-RJ45/LP-4-IP 20 - Panel-mount frame



1688667

<https://www.phoenixcontact.com/us/products/1688667>

## Environmental product compliance

### EU RoHS

Fulfills EU RoHS substance requirements	Yes, No exemptions
---	--------------------

### China RoHS

Environment friendly use period (EFUP)	EFUP-E
	No hazardous substances above the limits

### EU REACH SVHC

REACH candidate substance (CAS No.)	No substance above 0.1 wt%
-------------------------------------	----------------------------

Phoenix Contact 2026 © - all rights reserved  
<https://www.phoenixcontact.com>

Phoenix Contact USA  
586 Fulling Mill Road  
Middletown, PA 17057, United States  
(+717) 944-1300  
[info@phoenixcon.com](mailto:info@phoenixcon.com)