

# VS-08-BU-RJ45/LP-8 - RJ45 jack insert



1688625

<https://www.phoenixcontact.com/us/products/1688625>

Please be informed that the data shown in this PDF document is generated from our online catalog. Please find the complete data in the user documentation. Our general terms of use for downloads are valid.

RJ45 socket insert, 8x, for PCB assembly, CAT5e, 8-pos., shielded, with angled solder pins



## Commercial data

Item number	1688625
Packing unit	1 pc
Note	Made to order (non-returnable)
Sales key	NULL
Product key	ABNADA
GTIN	4017918622398
Weight per piece (including packing)	48.11 g
Weight per piece (excluding packing)	48.11 g
Customs tariff number	85366990
Country of origin	CN

# VS-08-BU-RJ45/LP-8 - RJ45 jack insert



1688625

<https://www.phoenixcontact.com/us/products/1688625>

## Technical data

### Product properties

Product type	Data connector (device side)
Number of positions	8
Connection profile	RJ45
Number of slots	8

### Insulation characteristics

Overvoltage category	II
Degree of pollution	2

### Electrical properties

Rated voltage (III/3)	72 V (DC)
Rated current	1.5 A
Transmission characteristics (category)	CAT5 (IEC 11801:2002)

### Connection data

#### Connection technology

Connection method	Solder connection
-------------------	-------------------

### Material specifications

Flammability rating according to UL 94	V0
Contact material	Copper alloy
Contact surface material	Gold over nickel
Contact carrier material	Thermoplastic

### Mechanical properties

#### Mechanical data

Insertion/withdrawal cycles	≥ 750
-----------------------------	-------

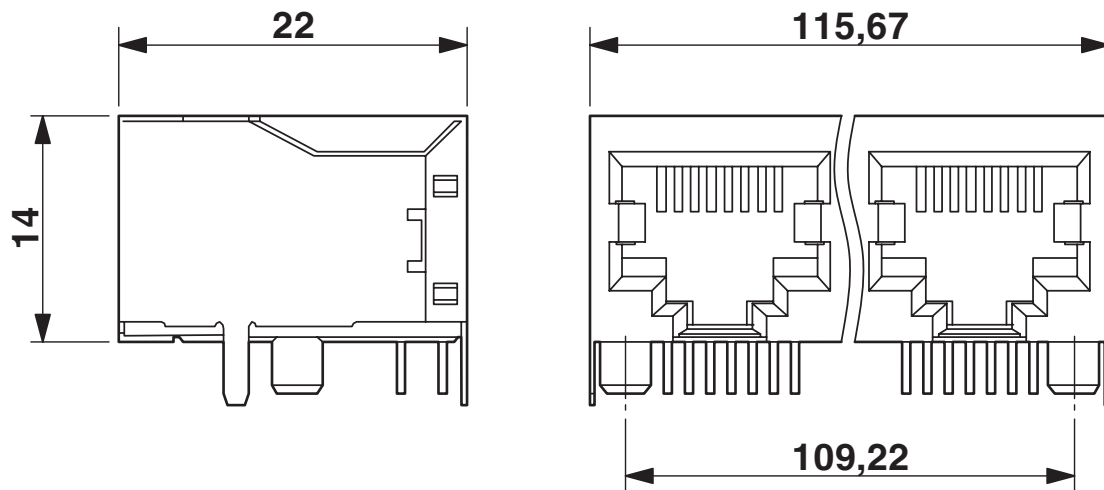
# VS-08-BU-RJ45/LP-8 - RJ45 jack insert

1688625

<https://www.phoenixcontact.com/us/products/1688625>

## Drawings

Dimensional drawing



RJ45 jack insert

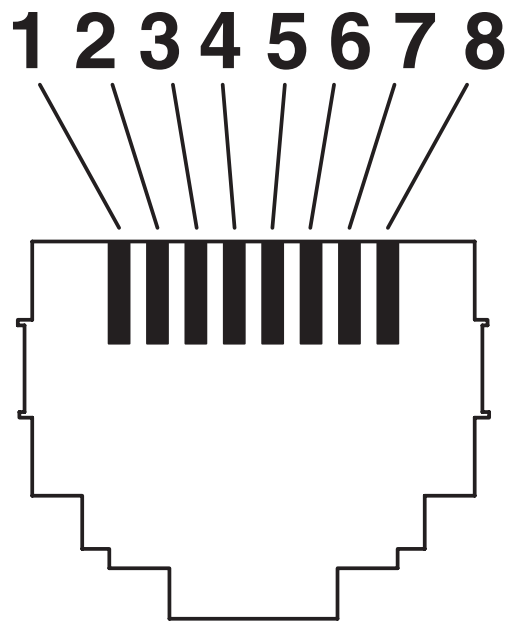
# VS-08-BU-RJ45/LP-8 - RJ45 jack insert

1688625

<https://www.phoenixcontact.com/us/products/1688625>



Schematic diagram

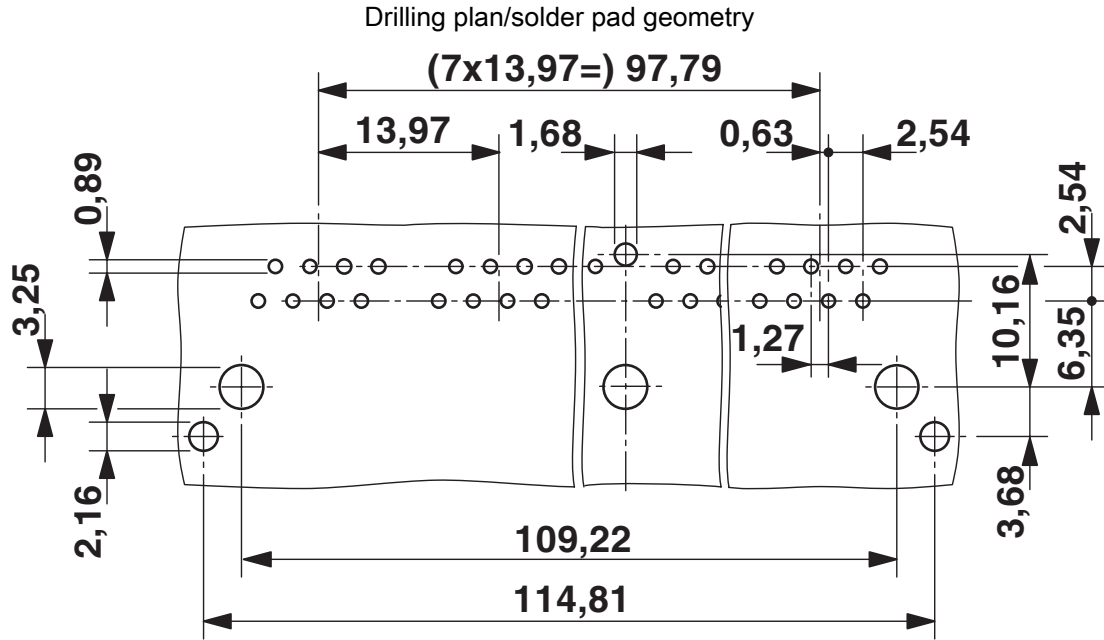


# VS-08-BU-RJ45/LP-8 - RJ45 jack insert



1688625

<https://www.phoenixcontact.com/us/products/1688625>



Drilling diagram

# VS-08-BU-RJ45/LP-8 - RJ45 jack insert



1688625

<https://www.phoenixcontact.com/us/products/1688625>

## Classifications

### ECLASS

ECLASS-13.0	27460201
ECLASS-15.0	27460201

# VS-08-BU-RJ45/LP-8 - RJ45 jack insert



1688625

<https://www.phoenixcontact.com/us/products/1688625>

## Environmental product compliance

### EU RoHS

Fulfills EU RoHS substance requirements	Yes, No exemptions
---	--------------------

### China RoHS

Environment friendly use period (EFUP)	EFUP-E
	No hazardous substances above the limits

### EU REACH SVHC

REACH candidate substance (CAS No.)	No substance above 0.1 wt%
-------------------------------------	----------------------------

Phoenix Contact 2026 © - all rights reserved  
<https://www.phoenixcontact.com>

Phoenix Contact USA  
586 Fulling Mill Road  
Middletown, PA 17057, United States  
(+717) 944-1300  
[info@phoenixcon.com](mailto:info@phoenixcon.com)