

VS-M16 (5-9) - D-SUB pressure nut

1688447

<https://www.phoenixcontact.com/us/products/1688447>

Please be informed that the data shown in this PDF document is generated from our online catalog. Please find the complete data in the user documentation. Our general terms of use for downloads are valid.

D-SUB cap nut with line seal, for sleeve housing VS-09-..., conductor diameter of 5 mm ... 9 mm



Your advantages

- Including seal
- Easy assembly

Commercial data

Item number	1688447
Packing unit	5 pc
Minimum order quantity	1 pc
Sales key	AB19
Product key	ABNCBZ
GTIN	4017918818364
Weight per piece (including packing)	2.75 g
Weight per piece (excluding packing)	2.375 g
Customs tariff number	39269097
Country of origin	DE

VS-M16 (5-9) - D-SUB pressure nut



1688447

<https://www.phoenixcontact.com/us/products/1688447>

Technical data

Product properties

Product type	Pressure nut
Application	Pressure nut
Type of the screw connection	M16

Material specifications

Color	gray
Flammability rating according to UL 94	V0
Seal material	Neoprene
Housing material	PA

Cable/line

External cable diameter	5 mm ... 9 mm
-------------------------	---------------

Mechanical properties

Mechanical data

Type of the screw connection	M16
------------------------------	-----

Environmental and real-life conditions

Ambient conditions

Degree of protection	IP67
	IP67
Ambient temperature (operation)	-40 °C ... 80 °C
Ambient temperature (assembly)	-20 °C ... 80 °C

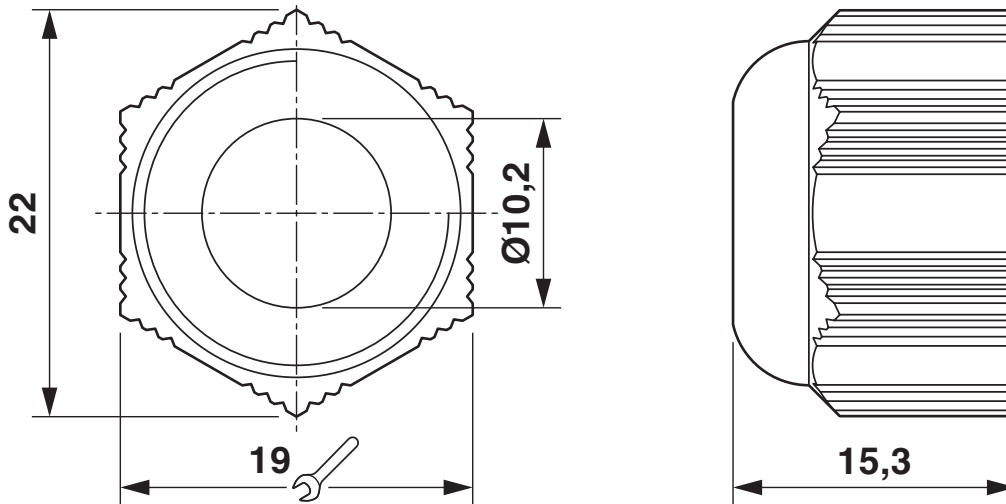
VS-M16 (5-9) - D-SUB pressure nut

1688447

<https://www.phoenixcontact.com/us/products/1688447>

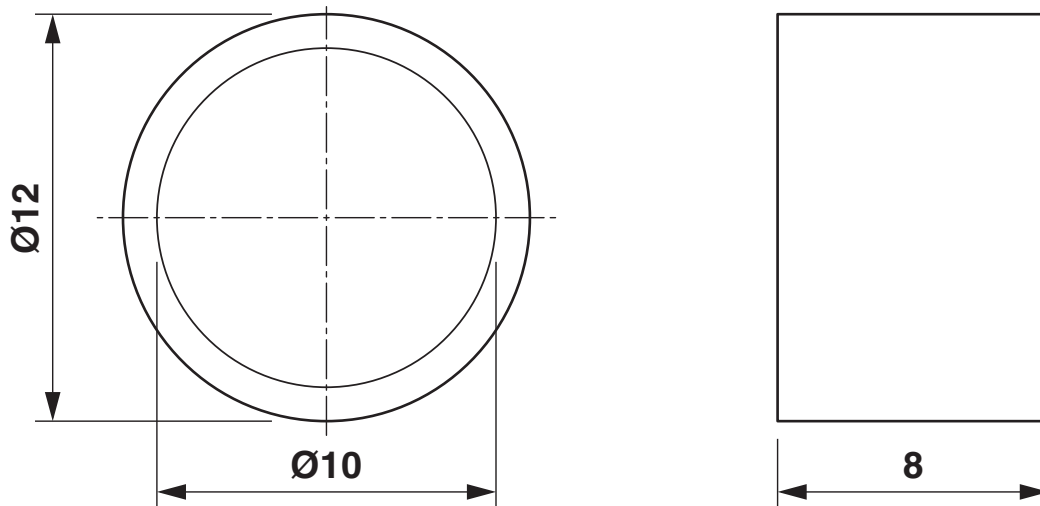
Drawings

Dimensional drawing



Seal

Dimensional drawing



Screw pressure nut

VS-M16 (5-9) - D-SUB pressure nut



1688447

<https://www.phoenixcontact.com/us/products/1688447>

Classifications

ECLASS

ECLASS-13.0	27140801
ECLASS-15.0	27140801

ETIM

ETIM 10.0	EC000441
-----------	----------

UNSPSC

UNSPSC 21.0	31161500
-------------	----------

VS-M16 (5-9) - D-SUB pressure nut



1688447

<https://www.phoenixcontact.com/us/products/1688447>

Environmental product compliance

EU RoHS

Fulfills EU RoHS substance requirements	Yes, No exemptions
---	--------------------

China RoHS

Environment friendly use period (EFUP)	EFUP-E
	No hazardous substances above the limits

EU REACH SVHC

REACH candidate substance (CAS No.)	No substance above 0.1 wt%
-------------------------------------	----------------------------

EF3.1 Climate Change

CO2e kg	0.043 kg CO2e
---------	---------------

Phoenix Contact 2026 © - all rights reserved
<https://www.phoenixcontact.com>

Phoenix Contact USA
586 Fulling Mill Road
Middletown, PA 17057, United States
(+717) 944-1300
info@phoenixcon.com