

VS-15-BU-DSUB-ER - D-SUB connector



1688120

<https://www.phoenixcontact.com/us/products/1688120>

Please be informed that the data shown in this PDF document is generated from our online catalog. Please find the complete data in the user documentation. Our general terms of use for downloads are valid.

D-SUB contact insert, shell size 2, with 15 signal contacts, type of contact socket, for PCB mounting, angled, fixing with M3 thread and solder pins, for panel mounting frame VS-15-...



Your advantages

- D-SUB 15 connection
- Compatible with IP67 sleeve housing and panel-mount frame
- Easy assembly

Commercial data

Item number	1688120
Packing unit	50 pc
Minimum order quantity	1 pc
Sales key	AB19
Product key	ABNCAB
GTIN	4017918179595
Weight per piece (including packing)	15.22 g
Weight per piece (excluding packing)	14.92 g
Customs tariff number	85366990
Country of origin	DE

VS-15-BU-DSUB-ER - D-SUB connector



1688120

<https://www.phoenixcontact.com/us/products/1688120>

Technical data

Product properties

Product type	Contact insert
Type	D-SUB
Number of positions	15
Connection profile	D-SUB
Number of slots	1
Shielded	yes

Insulation characteristics

Overvoltage category	III
Degree of pollution	2

Electrical properties

Rated voltage in acc. with IEC 61076-2-101	400 V
Rated voltage (III/3)	125 V
Rated surge voltage	1 kV
Rated current	5 A (at 20 °C)
Test voltage	1200 V
Transmission medium	Copper
Power transmission	Power

Connection data

Connection method	Wave soldering contacts
-------------------	-------------------------

Dimensions

Width	21.6 mm
Height	17.6 mm
Length	39.52 mm

Material specifications

Flammability rating according to UL 94	V0
Housing material	Metal
Housing surface material	metal-plated
Contact material	Copper alloy
Contact surface material	Gold
Contact carrier material	PBT-GF

Mechanical properties

Mechanical data

Insertion/withdrawal cycles	≥ 50
Insertion force per signal contact	≤ 3.40 N

VS-15-BU-DSUB-ER - D-SUB connector



1688120

<https://www.phoenixcontact.com/us/products/1688120>

Environmental and real-life conditions

Ambient conditions

Degree of protection	IP20
Ambient temperature (operation)	-55 °C ... 125 °C

Mounting

Mounting type	Screw mounting
---------------	----------------

VS-15-BU-DSUB-ER - D-SUB connector

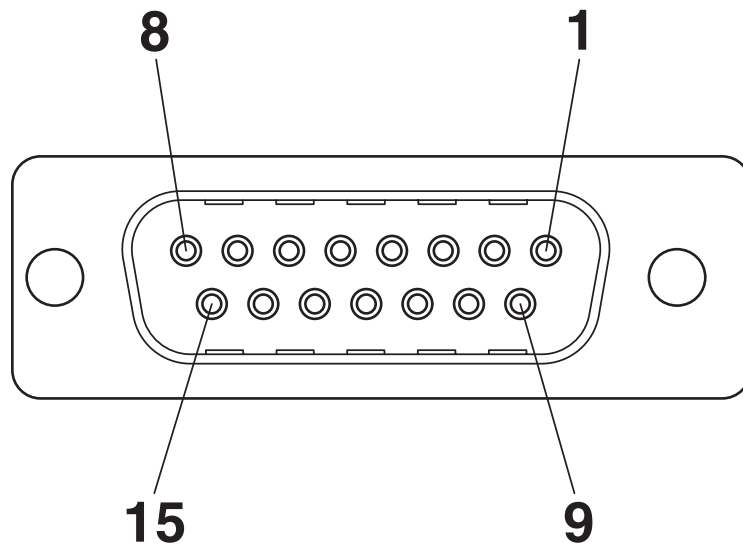


1688120

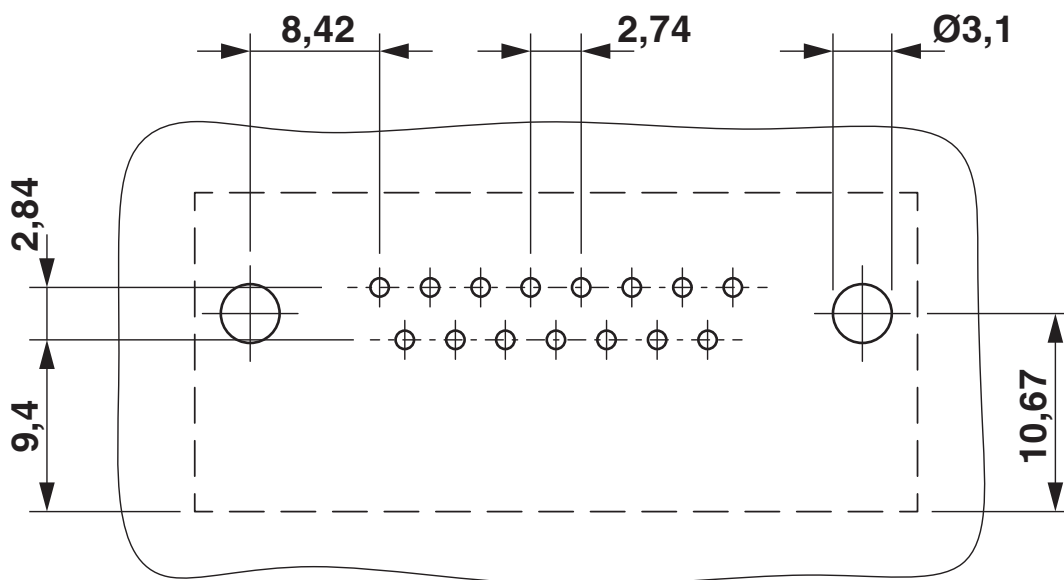
<https://www.phoenixcontact.com/us/products/1688120>

Drawings

Schematic diagram



Drilling plan/solder pad geometry



Drilling diagram

VS-15-BU-DSUB-ER - D-SUB connector



1688120

<https://www.phoenixcontact.com/us/products/1688120>

Approvals

To download certificates, visit the product detail page: <https://www.phoenixcontact.com/us/products/1688120>



UL Recognized

Approval ID: E118976

VS-15-BU-DSUB-ER - D-SUB connector



1688120

<https://www.phoenixcontact.com/us/products/1688120>

Classifications

ECLASS

ECLASS-13.0	27440302
ECLASS-15.0	27440323

ETIM

ETIM 10.0	EC001132
-----------	----------

UNSPSC

UNSPSC 21.0	39121400
-------------	----------

1688120

<https://www.phoenixcontact.com/us/products/1688120>

Environmental product compliance

EU RoHS

Fulfills EU RoHS substance requirements	Yes
Exemption	6(a), 6(a)-I, 6(c)

China RoHS

Environment friendly use period (EFUP)	EFUP-50
	An article-related China RoHS declaration table can be found in the download area for the respective article under "Manufacturer declaration". For all articles with EFUP-E, no China RoHS declaration table issued and required.

EU REACH SVHC

REACH candidate substance (CAS No.)	Lead(CAS: 7439-92-1)
SCIP	200d7b53-8ba2-4a3b-8f0b-5f6abe5c3827

Phoenix Contact 2026 © - all rights reserved

<https://www.phoenixcontact.com>

Phoenix Contact USA
586 Fulling Mill Road
Middletown, PA 17057, United States
(+717) 944-1300
info@phoenixcon.com