

# VS-15-ST-DSUB-ER - D-SUB connector



1688081

<https://www.phoenixcontact.com/us/products/1688081>

Please be informed that the data shown in this PDF document is generated from our online catalog. Please find the complete data in the user documentation. Our general terms of use for downloads are valid.

D-SUB contact insert, shell size 2, with 15 signal contacts, type of contact pin, for PCB mounting, angled, fixing with M3 thread and solder pins, for panel mounting frame VS-15-...



## Your advantages

- D-SUB 15 connection
- Compatible with IP67 sleeve housing and panel-mount frame
- Easy assembly

## Commercial data

Item number	1688081
Packing unit	50 pc
Minimum order quantity	1 pc
Sales key	AB19
Product key	ABNCAA
GTIN	4017918179588
Weight per piece (including packing)	14.28 g
Weight per piece (excluding packing)	14.19 g
Customs tariff number	85366990
Country of origin	DE

# VS-15-ST-DSUB-ER - D-SUB connector



1688081

<https://www.phoenixcontact.com/us/products/1688081>

## Technical data

### Product properties

Product type	Contact insert
Type	D-SUB
Number of positions	15
Connection profile	D-SUB 15
Shielded	no

### Insulation characteristics

Overvoltage category	III
Degree of pollution	2

### Electrical properties

Rated voltage in acc. with IEC 61076-2-101	400 V
Rated voltage (III/3)	125 V
Rated surge voltage	1 kV
Rated current	5 A (at 20 °C)
Test voltage	1200 V
Transmission medium	Copper

### Connection data

Connection method	PCB connection
-------------------	----------------

### Dimensions

Width	21.4 mm
Height	17.6 mm
Length	39.52 mm

### Material specifications

Flammability rating according to UL 94	V0
Housing material	Steel, tin-plated
Contact material	Copper alloy
Contact surface material	Hard gold-plated over nickel
Contact carrier material	PBT-GF

### Mechanical properties

#### Mechanical data

Insertion/withdrawal cycles	≥ 50
Insertion force per signal contact	≤ 3.40 N

### Environmental and real-life conditions

#### Ambient conditions

# VS-15-ST-DSUB-ER - D-SUB connector



1688081

<https://www.phoenixcontact.com/us/products/1688081>

Degree of protection	IP20
Ambient temperature (operation)	-55 °C ... 125 °C

## Mounting

Mounting type	Threads and solder pins
---------------	-------------------------

# VS-15-ST-DSUB-ER - D-SUB connector

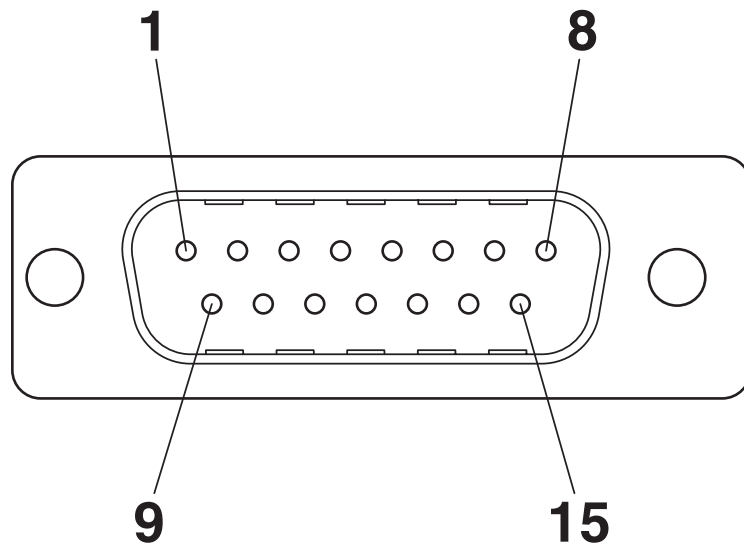


1688081

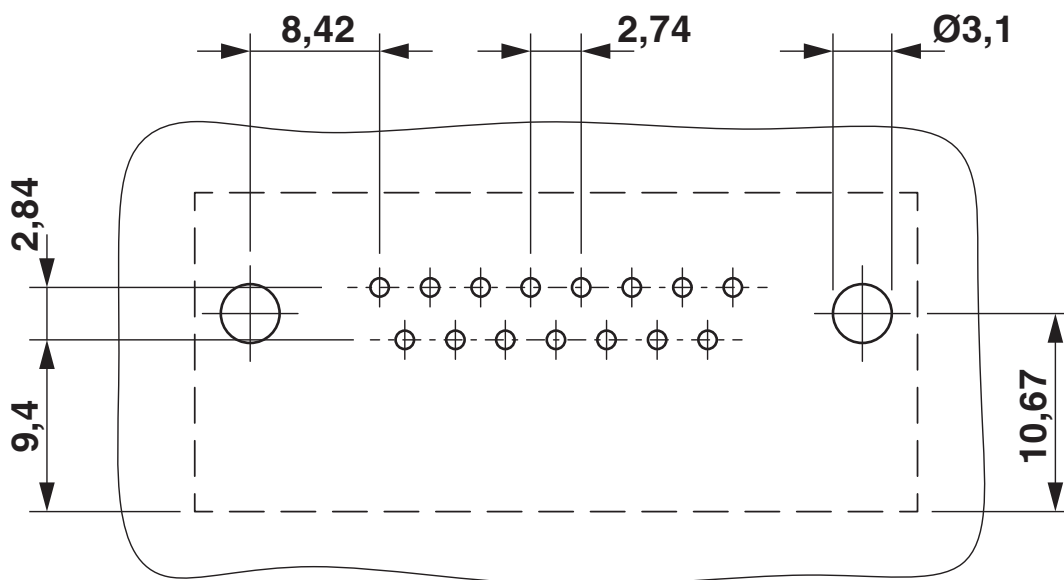
<https://www.phoenixcontact.com/us/products/1688081>

## Drawings

Schematic diagram



Drilling plan/solder pad geometry



Drilling diagram

# VS-15-ST-DSUB-ER - D-SUB connector



1688081

<https://www.phoenixcontact.com/us/products/1688081>

## Approvals

To download certificates, visit the product detail page: <https://www.phoenixcontact.com/us/products/1688081>



**UL Recognized**

Approval ID: E118976

# VS-15-ST-DSUB-ER - D-SUB connector



1688081

<https://www.phoenixcontact.com/us/products/1688081>

## Classifications

### ECLASS

ECLASS-13.0	27440302
ECLASS-15.0	27440323

### ETIM

ETIM 10.0	EC001132
-----------	----------

### UNSPSC

UNSPSC 21.0	39121400
-------------	----------

# VS-15-ST-DSUB-ER - D-SUB connector



1688081

<https://www.phoenixcontact.com/us/products/1688081>

## Environmental product compliance

### EU RoHS

Fulfills EU RoHS substance requirements	Yes
Exemption	6(a), 6(a)-I, 6(c)

### China RoHS

Environment friendly use period (EFUP)	EFUP-50
	An article-related China RoHS declaration table can be found in the download area for the respective article under "Manufacturer declaration". For all articles with EFUP-E, no China RoHS declaration table issued and required.

### EU REACH SVHC

REACH candidate substance (CAS No.)	Lead(CAS: 7439-92-1)
SCIP	f7948a0b-3264-4063-95f3-99fea16a22d

### EF3.1 Climate Change

CO2e kg	0.712 kg CO2e
---------	---------------

Phoenix Contact 2026 © - all rights reserved  
<https://www.phoenixcontact.com>

Phoenix Contact USA  
586 Fulling Mill Road  
Middletown, PA 17057, United States  
(+717) 944-1300  
[info@phoenixcon.com](mailto:info@phoenixcon.com)