

HC-SMR-2B 6 - DIN rail mounting frame



1687998

<https://www.phoenixcontact.com/us/products/1687998>

Please be informed that the data shown in this PDF document is generated from our online catalog. Please find the complete data in the user documentation. Our general terms of use for downloads are valid.

HEAVYCON DIN rail mounting frame, for two contact inserts of type B6



Commercial data

Item number	1687998
Packing unit	1 pc
Minimum order quantity	1 pc
Product key	AF7AHB
GTIN	4017918892593
Weight per piece (including packing)	177.001 g
Weight per piece (excluding packing)	177.001 g
Country of origin	DE

HC-SMR-2B 6 - DIN rail mounting frame

1687998

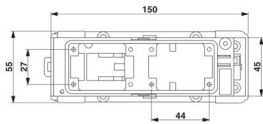
<https://www.phoenixcontact.com/us/products/1687998>

Technical data

Product properties

Product type	DIN rail mounting frame
Type	B6

Dimensions

Dimensional drawing	
Width	55 mm
Height	131.5 mm
Length	181 mm
Drill hole distance, horizontal	70 mm
Drill hole distance, vertical	44 mm
Hole diameter	4.5 mm

Material specifications

Material	PA
Flammability rating according to UL 94	HB

Environmental and real-life conditions

Ambient conditions

Ambient temperature (operation)	-20 °C ... 100 °C
---------------------------------	-------------------

HC-SMR-2B 6 - DIN rail mounting frame

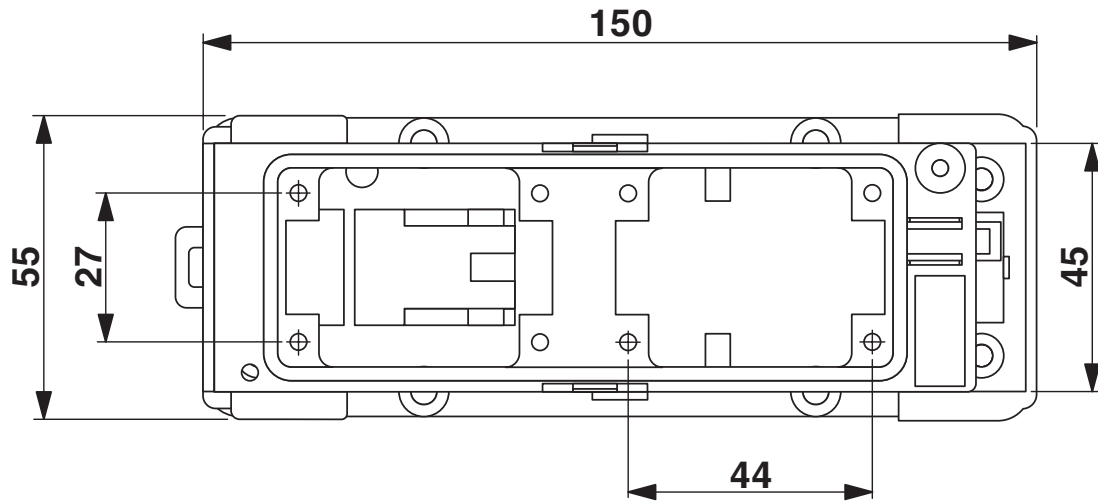


1687998

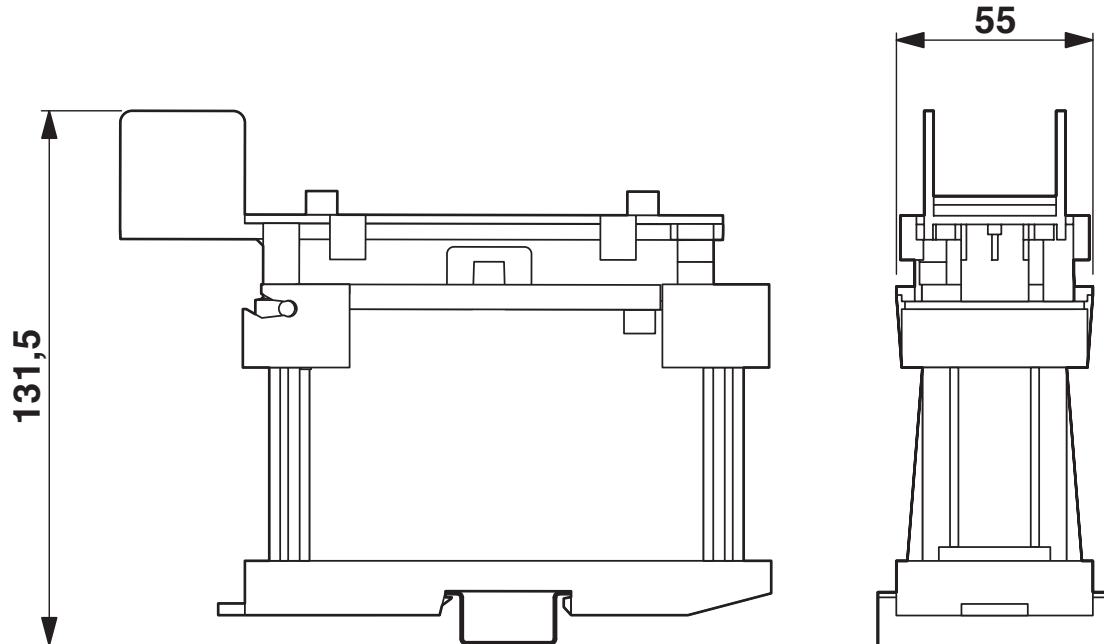
<https://www.phoenixcontact.com/us/products/1687998>

Drawings

Dimensional drawing



Dimensional drawing



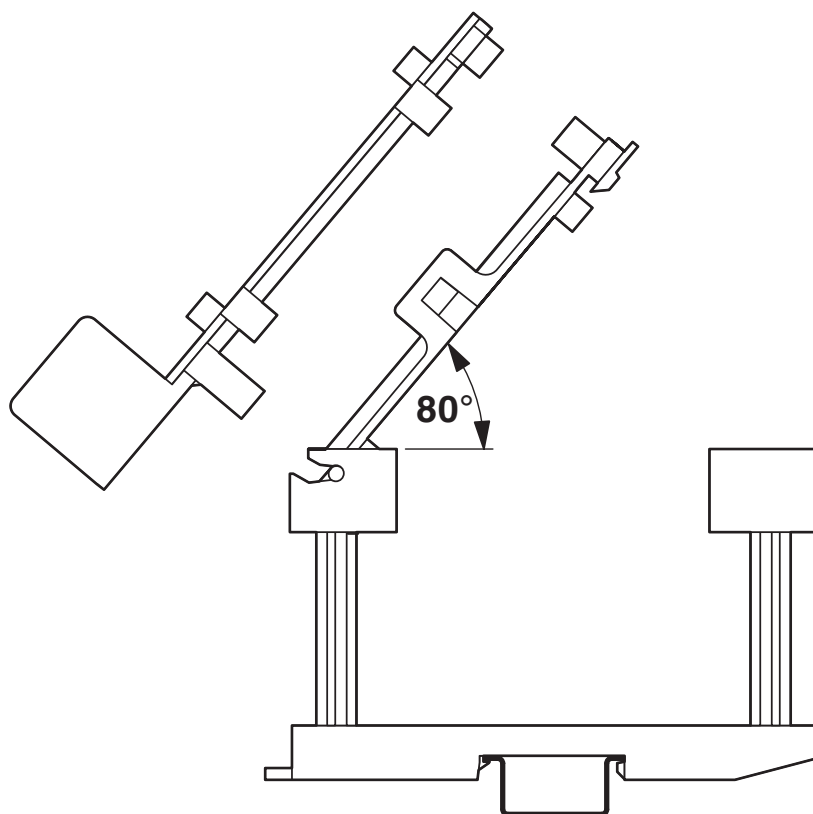
HC-SMR-2B 6 - DIN rail mounting frame

1687998

<https://www.phoenixcontact.com/us/products/1687998>



Schematic diagram



HC-SMR-2B 6 - DIN rail mounting frame



1687998

<https://www.phoenixcontact.com/us/products/1687998>

Classifications

ECLASS

ECLASS-13.0	27440210
ECLASS-15.0	27440210

HC-SMR-2B 6 - DIN rail mounting frame



1687998

<https://www.phoenixcontact.com/us/products/1687998>

Environmental product compliance

EU RoHS

Fulfills EU RoHS substance requirements	Yes, No exemptions
---	--------------------

China RoHS

Environment friendly use period (EFUP)	EFUP-E
	No hazardous substances above the limits

EU REACH SVHC

REACH candidate substance (CAS No.)	No substance above 0.1 wt%
-------------------------------------	----------------------------

Phoenix Contact 2026 © - all rights reserved
<https://www.phoenixcontact.com>

Phoenix Contact USA
586 Fulling Mill Road
Middletown, PA 17057, United States
(+717) 944-1300
info@phoenixcon.com