

HC-SMP 150-3RST GY - Connector component



1686834

<https://www.phoenixcontact.com/us/products/1686834>

Please be informed that the data shown in this PDF document is generated from our online catalog. Please find the complete data in the user documentation. Our general terms of use for downloads are valid.



Connector mounting panel, 150 mm, with base element for snapping onto NS 35/7,5 and NS 35/15, for three M23 round connector flanges

Commercial data

Item number	1686834
Packing unit	5 pc
Minimum order quantity	1 pc
Product key	AF7AHZ
GTIN	4017918603304
Weight per piece (including packing)	150.74 g
Weight per piece (excluding packing)	144.94 g
Country of origin	DE

HC-SMP 150-3RST GY - Connector component



1686834

<https://www.phoenixcontact.com/us/products/1686834>

Technical data

Product properties

Product type	Adapter
--------------	---------

HC-SMP 150-3RST GY - Connector component

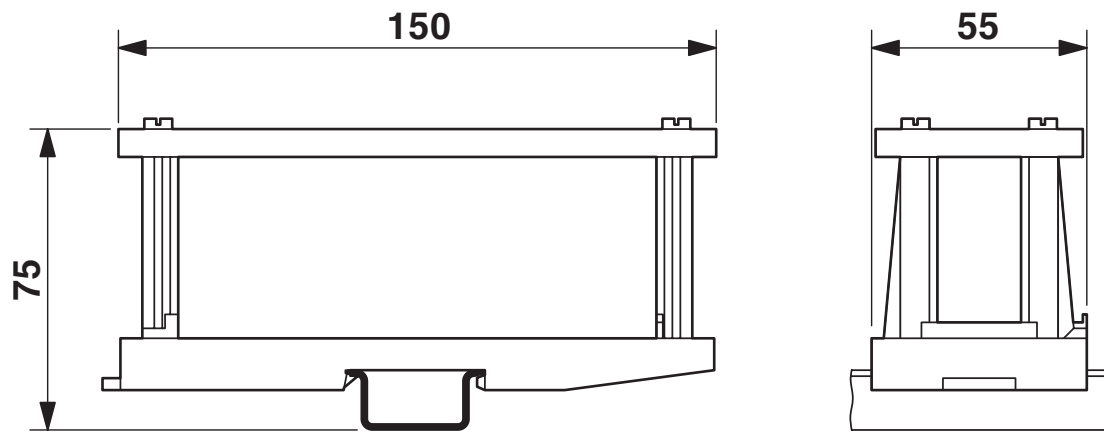


1686834

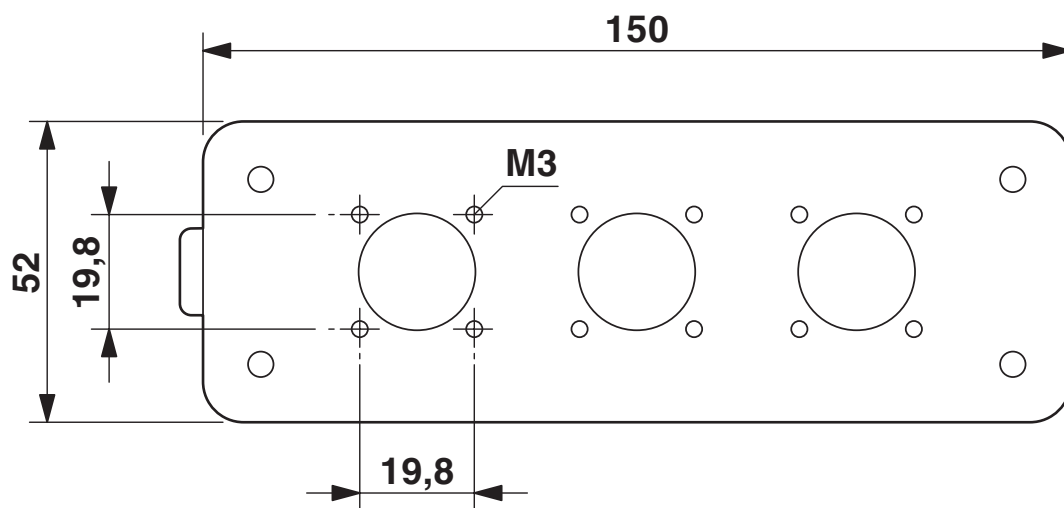
<https://www.phoenixcontact.com/us/products/1686834>

Drawings

Dimensional drawing



Dimensional drawing



HC-SMP 150-3RST GY - Connector component



1686834

<https://www.phoenixcontact.com/us/products/1686834>

Classifications

ECLASS

ECLASS-13.0	27440192
ECLASS-15.0	27440192

Phoenix Contact 2026 © - all rights reserved

<https://www.phoenixcontact.com>

Phoenix Contact USA
586 Fulling Mill Road
Middletown, PA 17057, United States
(+717) 944-1300
info@phoenixcon.com