

# SACB-6Q/4P-10,0PUR - Distributor box



1683691

<https://www.phoenixcontact.com/us/products/1683691>

Please be informed that the data shown in this PDF document is generated from our online catalog. Please find the complete data in the user documentation. Our general terms of use for downloads are valid.



Distributor box, application: Standard, connection method: QUICKON, 0.34 mm<sup>2</sup> ... 0.75 mm<sup>2</sup>, number of slots: 6, number of positions: 4, slot assignment: single, status display: no, Universal; master cable connection: Fixed connection 180°, PUR/PVC, cable length: 10 m, shielding: no

## Your advantages

- Safety in the field, thanks to molded housing and high degree of protection
- Innovative and time-saving assembly with insulation displacement connection

## Commercial data

Item number	1683691
Packing unit	1 pc
Note	Made to order (non-returnable)
Sales key	BF41
Product key	AF3DBA
GTIN	4017918171056
Weight per piece (including packing)	1,183.3 g
Weight per piece (excluding packing)	1,183.2 g
Customs tariff number	85444290
Country of origin	PL

# SACB-6Q/4P-10,0PUR - Distributor box



1683691

<https://www.phoenixcontact.com/us/products/1683691>

## Technical data

### Notes

Assembly note	<b>NOTE:</b> Observe the permissible bending radii when routing cables, since the degree of protection may be at risk if the bending forces are too high. Reduce mechanical loads upstream of the connector, e.g., by using cable ties.
Note on application	Unused slots are to be sealed off prior to commissioning. Suitable sealing elements are to be found under "Accessories".

### Product properties

Product type	Distributor box
Application	Standard
Number of positions	4
Number of slots	6
LED	no

### Electrical properties

Max. operating voltage $U_{max}$	135 V
Nominal voltage $U_N$	120 V AC
	120 V DC
Rated current, total	12 A
Max. current carrying capacity per path	4 A
Current carrying capacity per slot	4 A

### Connection data

#### Conductor connection

Sensor/actuator connection system	QUICKON
-----------------------------------	---------

#### Connection assignment

Slot/position = Wire color or connection	1 / 4 (A) = WH
	2 / 4 (A) = GN
	3 / 4 (A) = YE
	4 / 4 (A) = GY
	5 / 4 (A) = PK
	6 / 4 (A) = RD
	1-6 / 1 (+ 120 V) = BN
	1-6 / 3 (0 V) = BU
1-6 / 5 (PE) = GNYE	

### Signaling

Status display present	no
------------------------	----

### Dimensions

# SACB-6Q/4P-10,0PUR - Distributor box

1683691

<https://www.phoenixcontact.com/us/products/1683691>

Dimensional drawing	
Width	60 mm
Height	44 mm
Length	134 mm
Wrench size, union nut	22 mm

## Material specifications

Material Housing	PA
Material Molding compound	PUR
Flammability rating according to UL 94	V0
Contact material	Steel/copper
Contact surface material	Sn
Contact carrier material	PA 6.6
Wire insulation material	PVC / PE

## Cable/line

Cable length	10 m
--------------	------

### PUR/PVC black [PUR]

Dimensional drawing	
Cable weight	96.6 kg/km
UL AWM Style	20549
Number of positions	9
Shielded	no
Cable type	PUR/PVC black [PUR]
Conductor structure signal line	19x 0.15 mm
AWG signal line	22
Conductor structure, voltage supply	42x 0.15 mm
AWG power supply	18
Conductor cross-section	6x 0.34 mm <sup>2</sup> (Signal line)

# SACB-6Q/4P-10,0PUR - Distributor box



1683691

<https://www.phoenixcontact.com/us/products/1683691>

	3x 0.75 mm <sup>2</sup> (power line)
Wire diameter incl. insulation	1.3 mm ±0.1 mm (Signal line)
	1.8 mm ±0.1 mm (power line)
External cable diameter	8.00 mm ±0.2 mm
Outer sheath, material	PUR
External sheath, color	black RAL 9005
Conductor material	Bare Cu litz wires
Material wire insulation	PVC
Single wire, color	brown, blue, green/yellow, white, green, yellow, gray, pink, red
Thickness, insulation	≥ 0.15 mm (Inner sheath)
	≥ 0.38 mm (Outer cable sheath)
Overall twist	Wires twisted in layers
Nominal voltage, cable	300 V
Test voltage	2000 V
Minimum bending radius, fixed installation	7.5 x D
Minimum bending radius, flexible installation	10 x D
Smallest bending radius, fixed installation	60 mm
Smallest bending radius, movable installation	80 mm
Dynamic load capacity (bending)	Max. bending cycles: 1500000, Bending radius: 80 mm, Traversing path: 2 m, Traversing rate: 2 m/s
Flame resistance	DIN EN 50265
Resistance to oil	according to VDE 0472 Part 803
Other resistance	Highly resistant to acids, alkaline solutions and solvents
Special properties	Silicone-free
Ambient temperature (operation)	-40 °C ... 90 °C (cable, fixed installation)
	-5 °C ... 80 °C (Cable, flexible installation)
	80 °C (in acc. with UL)

## Environmental and real-life conditions

### Ambient conditions

Degree of protection	IP65
	IP67
Ambient temperature (operation)	-25 °C ... 60 °C
	-25 °C ... 50 °C (when the conductor is connected. Specifications of the cable manufacturer must also be observed.)

# SACB-6Q/4P-10,0PUR - Distributor box

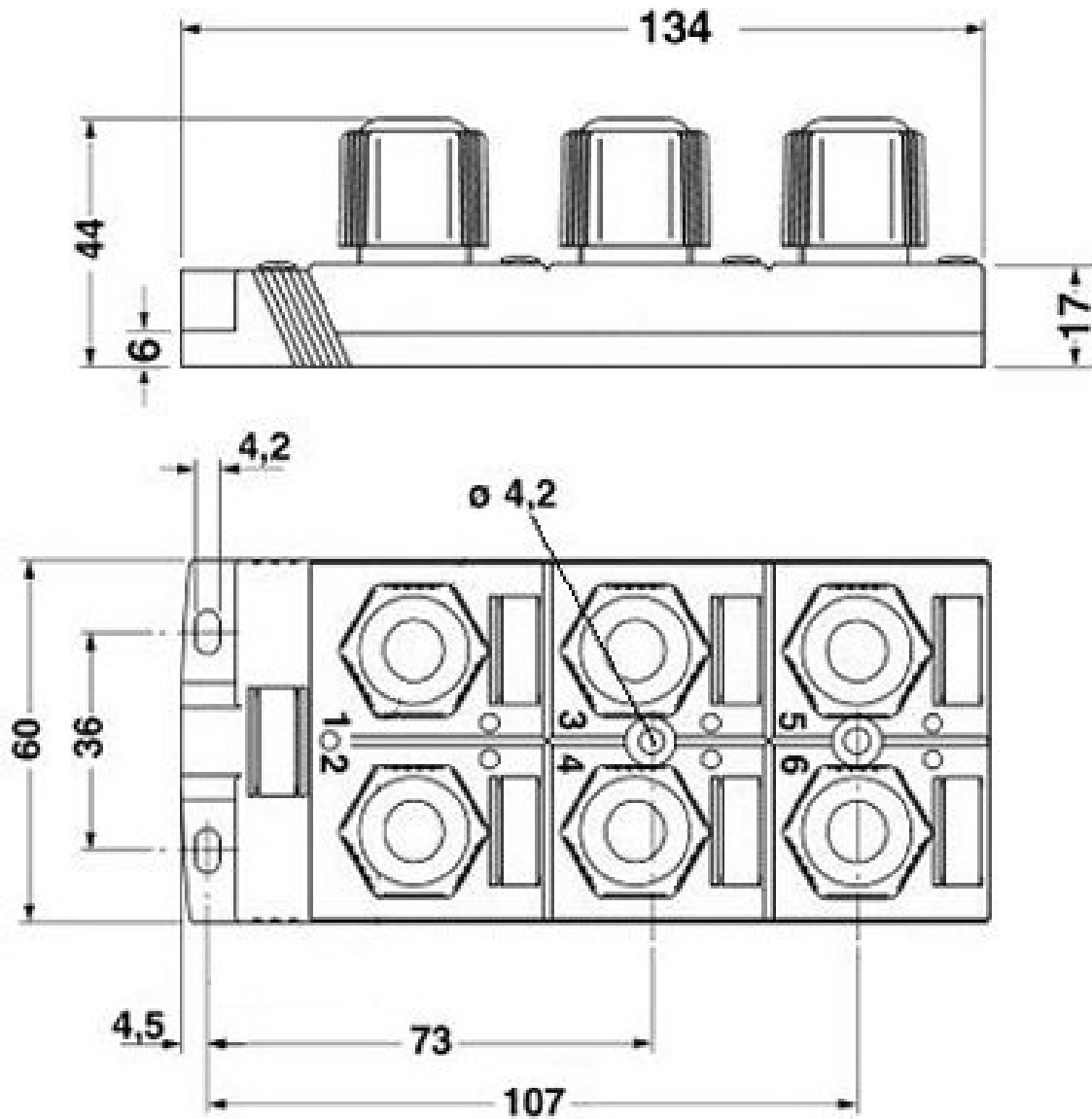


1683691

<https://www.phoenixcontact.com/us/products/1683691>

## Drawings

Dimensional drawing



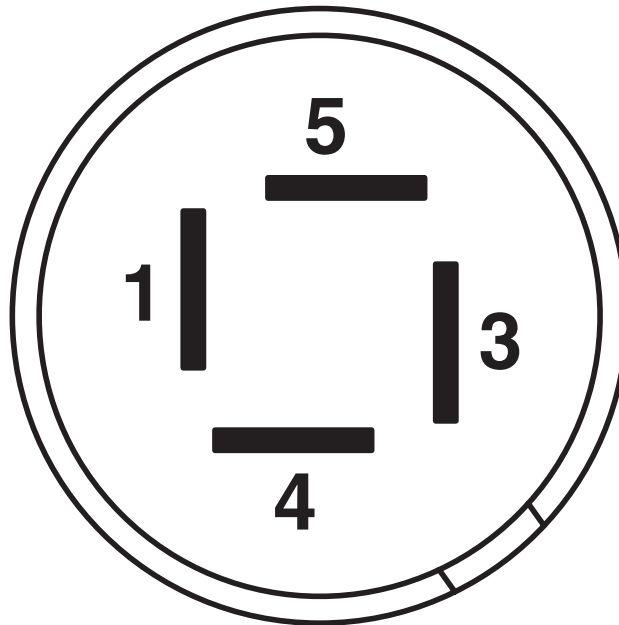
# SACB-6Q/4P-10,0PUR - Distributor box



1683691

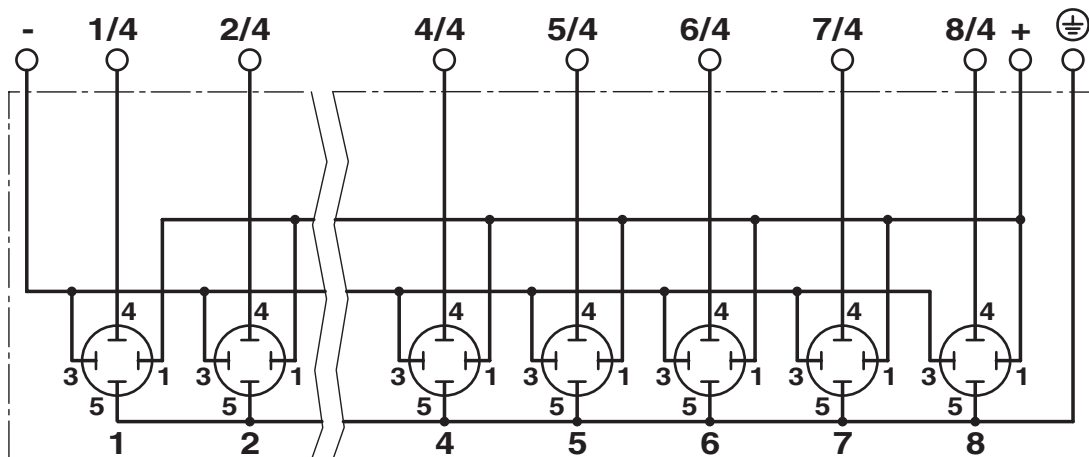
<https://www.phoenixcontact.com/us/products/1683691>

Schematic diagram



QUICKON connection, 4-pos.

Circuit diagram



# SACB-6Q/4P-10,0PUR - Distributor box



1683691

<https://www.phoenixcontact.com/us/products/1683691>

## Classifications

### ECLASS

ECLASS-13.0	27440111
ECLASS-15.0	27440108

### UNSPSC

UNSPSC 21.0	31251501
-------------	----------

# SACB-6Q/4P-10,0PUR - Distributor box



1683691

<https://www.phoenixcontact.com/us/products/1683691>

## Environmental product compliance

### China RoHS

Environment friendly use period (EFUP)	EFUP-50
	An article-related China RoHS declaration table can be found in the download area for the respective article under "Manufacturer declaration". For all articles with EFUP-E, no China RoHS declaration table issued and required.

### EU REACH SVHC

REACH candidate substance (CAS No.)	No substance above 0.1 wt%
-------------------------------------	----------------------------

Phoenix Contact 2026 © - all rights reserved  
<https://www.phoenixcontact.com>

Phoenix Contact USA  
586 Fulling Mill Road  
Middletown, PA 17057, United States  
(+717) 944-1300  
[info@phoenixcon.com](mailto:info@phoenixcon.com)