

SACB-4Q/4P-SC - Distributor box



1683633

<https://www.phoenixcontact.com/us/products/1683633>

Please be informed that the data shown in this PDF document is generated from our online catalog. Please find the complete data in the user documentation. Our general terms of use for downloads are valid.



Distributor box, application: Standard, connection method: QUICKON, 0.34 mm² ... 0.75 mm², number of slots: 4, number of positions: 4, slot assignment: single, status display: no, Universal; master cable connection: Spring-cage connection 180°, shielding: no

Your advantages

- Safety in the field, thanks to molded housing and high degree of protection
- Innovative and time-saving assembly with insulation displacement connection
- Flexible: distributor box with connector hood for on-site assembly

Commercial data

Item number	1683633
Packing unit	1 pc
Note	Made to order (non-returnable)
Sales key	BF41
Product key	AF3DBC
GTIN	4017918170967
Weight per piece (including packing)	199.2 g
Weight per piece (excluding packing)	162 g
Customs tariff number	85366990
Country of origin	PL

SACB-4Q/4P-SC - Distributor box



1683633

<https://www.phoenixcontact.com/us/products/1683633>

Technical data

Notes

Assembly note	NOTE: Observe the permissible bending radii when routing cables, since the degree of protection may be at risk if the bending forces are too high. Reduce mechanical loads upstream of the connector, e.g., by using cable ties.
Note on application	Unused slots are to be sealed off prior to commissioning. Suitable sealing elements are to be found under "Accessories".

Product properties

Product type	Distributor box
Application	Standard
Number of positions	4
Number of slots	4
LED	no

Electrical properties

Max. operating voltage U_{max}	135 V
Nominal voltage U_N	120 V AC
	120 V DC
Rated current, total	12 A
Max. current carrying capacity per path	4 A
Current carrying capacity per slot	4 A

Connection data

Conductor connection

Sensor/actuator connection system	QUICKON
Conductor cross-section Flexible signal line	0.14 mm ² ... 1 mm ²
Conductor cross-section Flexible power supply	0.2 mm ² ... 1.5 mm ²
Connection cross section AWG Flexible signal line	26 ... 17
Connection cross section AWG Flexible power supply	24 ... 16
Stripping length Signal line	10 mm
Stripping length of the sheath	70 mm (Master cable)
Tightening torque, union nut	2.5 Nm

Connection assignment

Slot/position = Wire color or connection	1 / 4 (A) = 1 / 4
	2 / 4 (A) = 2 / 4
	3 / 4 (A) = 3 / 4
	4 / 4 (A) = 4 / 4
	1-4 / 1 (+ 120 V) = U_N
	1-4 / 3 (0 V) = 0 V
	1-4 / 5 (PE) = PE

SACB-4Q/4P-SC - Distributor box



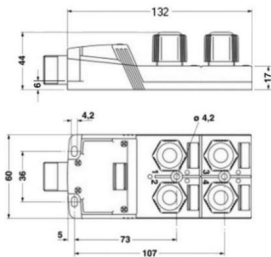
1683633

<https://www.phoenixcontact.com/us/products/1683633>

Signaling

Status display present	no
------------------------	----

Dimensions

Dimensional drawing	
Width	60 mm
Height	44 mm
Length	132 mm
Wrench size, union nut	22 mm

Material specifications

Material Housing	PA
Material Molding compound	PUR
Flammability rating according to UL 94	V0
Contact material	Steel/copper
Contact surface material	Sn
Contact carrier material	PA 6.6
Material of contact, master cable side	CuZn
Material of the contact carrier on the master cable side	PA 6.6 V0
Material of contact surface, master cable side	NiSn
Wire insulation material	PVC / PE

Cable/line

External cable diameter	6.5 mm ... 9.5 mm
Connection method	Spring-cage connection

Environmental and real-life conditions

Ambient conditions

Degree of protection	IP65
	IP67
Ambient temperature (operation)	-25 °C ... 60 °C
	-25 °C ... 50 °C (when the conductor is connected. Specifications of the cable manufacturer must also be observed.)

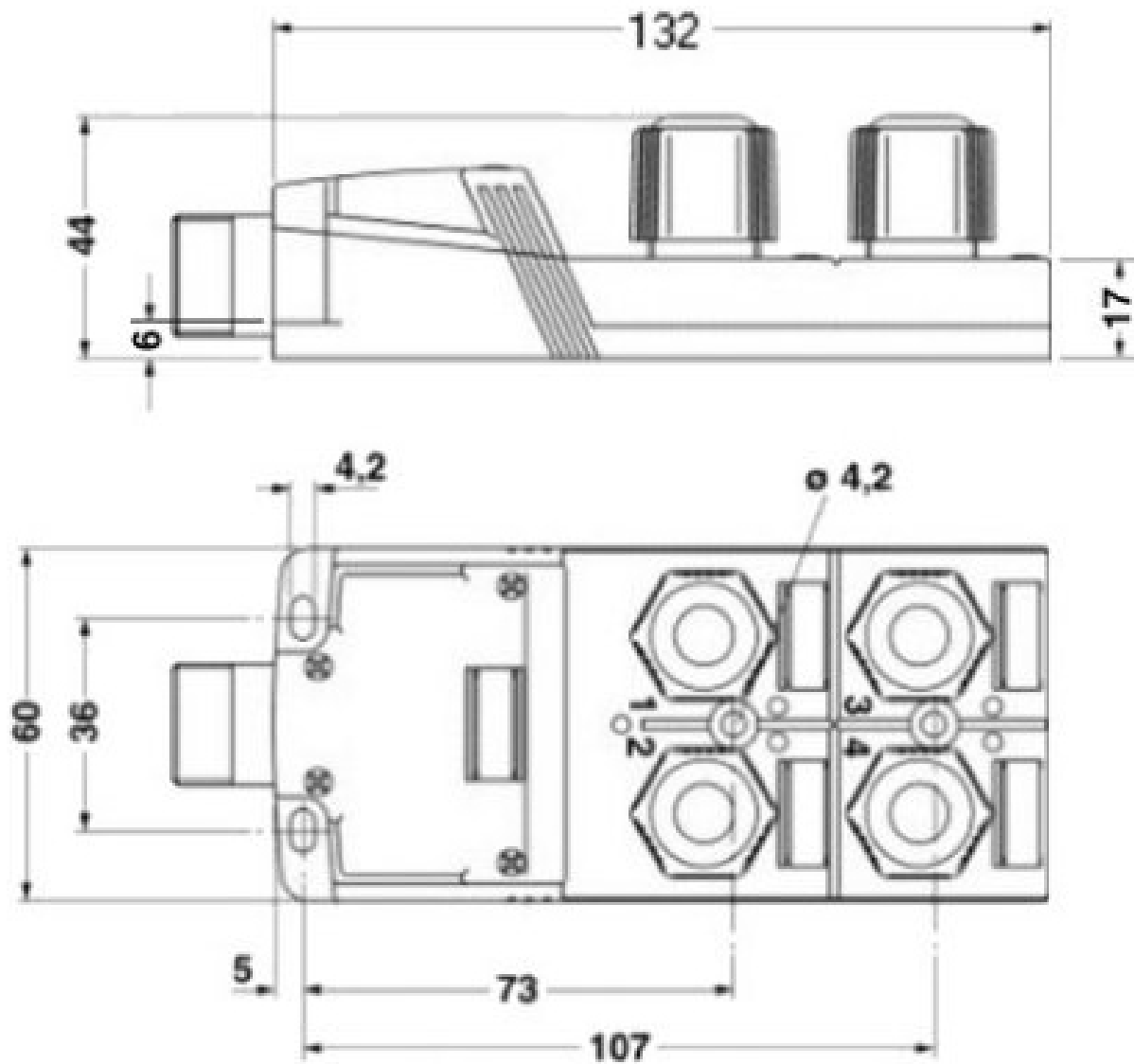
SACB-4Q/4P-SC - Distributor box

1683633

<https://www.phoenixcontact.com/us/products/1683633>

Drawings

Dimensional drawing



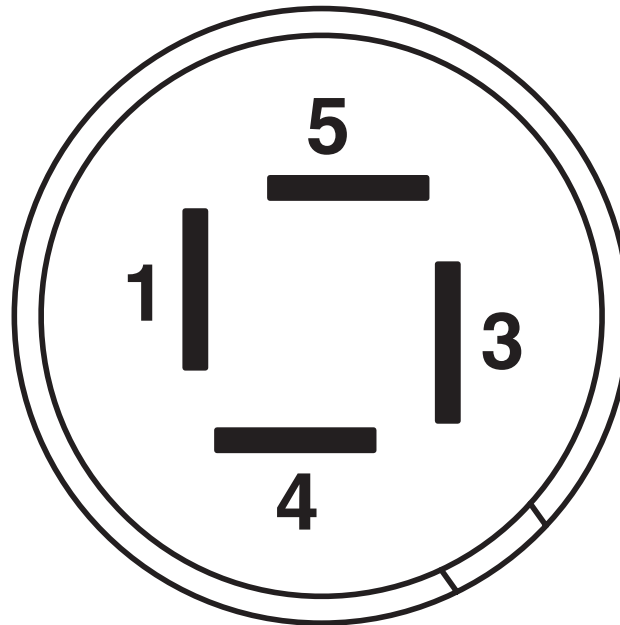
SACB-4Q/4P-SC - Distributor box



1683633

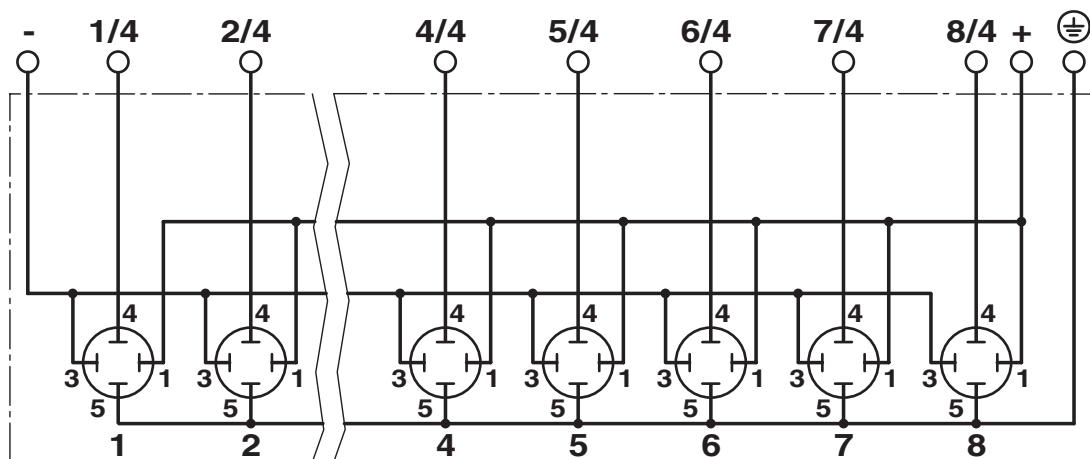
<https://www.phoenixcontact.com/us/products/1683633>

Schematic diagram



QUICKON connection, 4-pos.

Circuit diagram



SACB-4Q/4P-SC - Distributor box



1683633

<https://www.phoenixcontact.com/us/products/1683633>

Classifications

ECLASS

ECLASS-13.0	27440111
ECLASS-15.0	27440111

UNSPSC

UNSPSC 21.0	31251501
-------------	----------

SACB-4Q/4P-SC - Distributor box



1683633

<https://www.phoenixcontact.com/us/products/1683633>

Environmental product compliance

China RoHS

Environment friendly use period (EFUP)	EFUP-50
	An article-related China RoHS declaration table can be found in the download area for the respective article under "Manufacturer declaration". For all articles with EFUP-E, no China RoHS declaration table issued and required.

EU REACH SVHC

REACH candidate substance (CAS No.)	No substance above 0.1 wt%
-------------------------------------	----------------------------

Phoenix Contact 2026 © - all rights reserved
<https://www.phoenixcontact.com>

Phoenix Contact USA
586 Fulling Mill Road
Middletown, PA 17057, United States
(+717) 944-1300
info@phoenixcon.com