

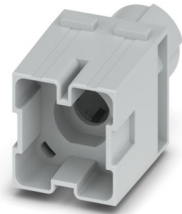
HC-M-01-CT-M-70 - Contact insert module



1683512

<https://www.phoenixcontact.com/us/products/1683512>

Please be informed that the data shown in this PDF document is generated from our online catalog. Please find the complete data in the user documentation. Our general terms of use for downloads are valid.



Contact insert module, number of positions: 1, power contacts: 1, control contacts: 0, Pin, Crimp connection, 200 A, 16 mm² ... 70 mm², application: Power, without crimp contacts

Commercial data

Item number	1683512
Packing unit	1 pc
Minimum order quantity	1 pc
Sales key	BF62
Product key	AF7ACE
GTIN	4067923238350
Weight per piece (including packing)	22.12 g
Weight per piece (excluding packing)	22.12 g
Customs tariff number	85389099
Country of origin	DE

HC-M-01-CT-M-70 - Contact insert module



1683512

<https://www.phoenixcontact.com/us/products/1683512>

Technical data

Mounting

Assembly note	To ensure correct use, installation in housing with IP54 protection or better is required
---------------	---

Product properties

Product type	Modular contact insert
Series	HC-M-01
Application	Power
Number of positions	1
Connection profile	1
Number of module slots	2
No. of power contacts	1
No. of control contacts	0
Contact material type	turned

Connection data

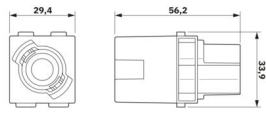
Connection technology

Connection technology	Crimp connection
-----------------------	------------------

Conductor connection

Conductor cross-section	16 mm ² ... 70 mm ² (The cross section specification refers to the geometric cross section of the cable used)
Connection cross section AWG	6 ... 2/0 (The cross section specification refers to the geometric cross section of the cable used)

Dimensions

Dimensional drawing	
Width	34 mm
Height	56.2 mm
Length	29.5 mm

Mechanical characteristics

Contact diameter	9.5 mm
------------------	--------

Electrical properties

Rated surge voltage	8 kV
Rated current	200 A

Mechanical properties

HC-M-01-CT-M-70 - Contact insert module



1683512

<https://www.phoenixcontact.com/us/products/1683512>

Mechanical data

Insertion/withdrawal cycles	≥ 500
-----------------------------	-------

Material specifications

Contact material	Copper alloy
Contact surface material	Ag
Contact carrier material	PC
Standards/regulations	PC

Environmental and real-life conditions

Ambient conditions

Ambient temperature (operation)	-40 °C ... 125 °C
---------------------------------	-------------------

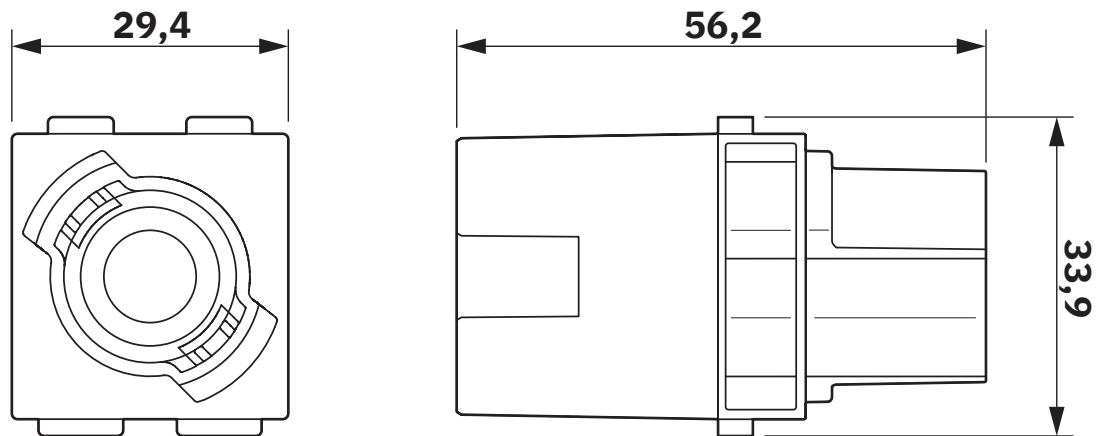
HC-M-01-CT-M-70 - Contact insert module

1683512

<https://www.phoenixcontact.com/us/products/1683512>

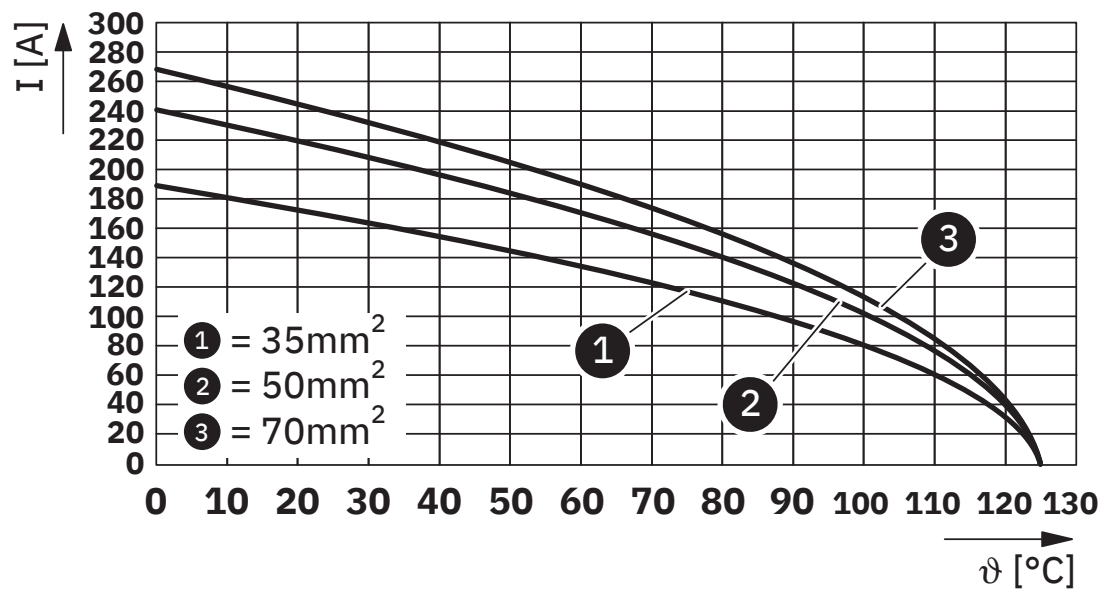
Drawings

Dimensional drawing



Male insert

Diagram



Derating diagram

HC-M-01-CT-M-70 - Contact insert module



1683512

<https://www.phoenixcontact.com/us/products/1683512>

Classifications

ECLASS

ECLASS-13.0	27440217
ECLASS-15.0	27440217

ETIM

ETIM 10.0	EC000438
-----------	----------

UNSPSC

UNSPSC 21.0	39121400
-------------	----------

HC-M-01-CT-M-70 - Contact insert module



1683512

<https://www.phoenixcontact.com/us/products/1683512>

Environmental product compliance

EU RoHS

Fulfills EU RoHS substance requirements	Yes, No exemptions
---	--------------------

China RoHS

Environment friendly use period (EFUP)	EFUP-E
	No hazardous substances above the limits

EU REACH SVHC

REACH candidate substance (CAS No.)	No substance above 0.1 wt%
-------------------------------------	----------------------------

Phoenix Contact 2026 © - all rights reserved
<https://www.phoenixcontact.com>

Phoenix Contact USA
586 Fulling Mill Road
Middletown, PA 17057, United States
(+717) 944-1300
info@phoenixcon.com